

SHOWER TRAYS

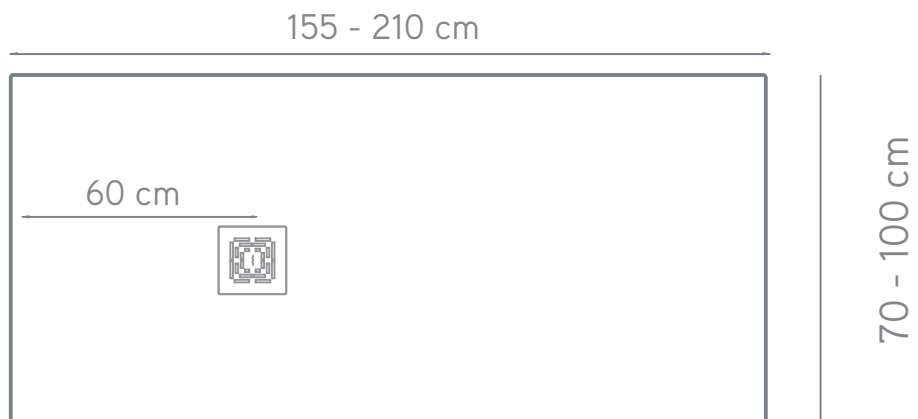
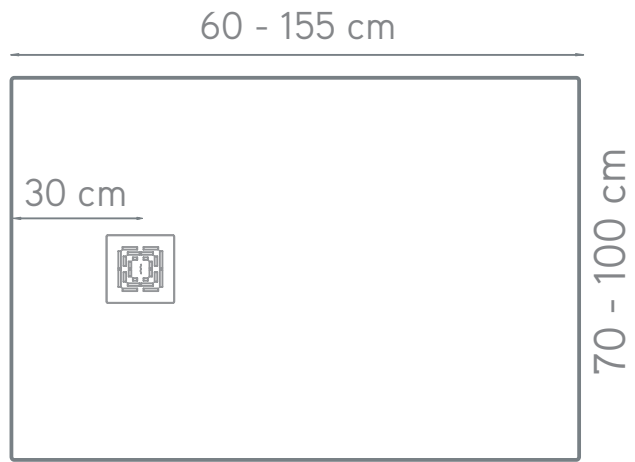


LIVINGHOUSE.CO.UK

TEL: 01722 415000

EMAIL: SALES@LIVINGHOUSE.CO.UK

FITTING INSTRUCTIONS

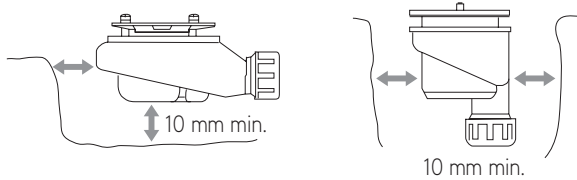
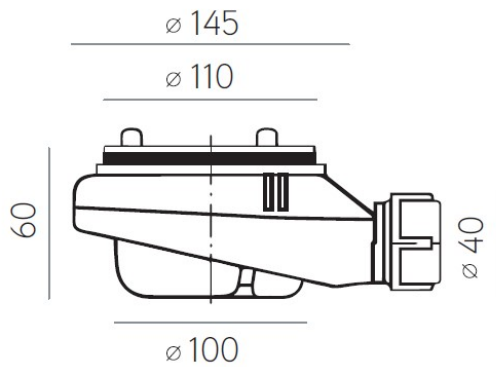


EN Installation guide

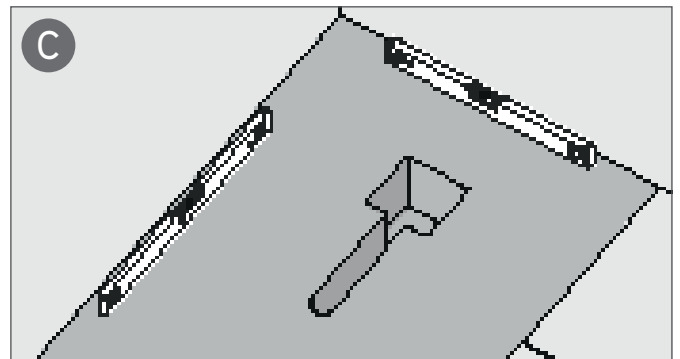
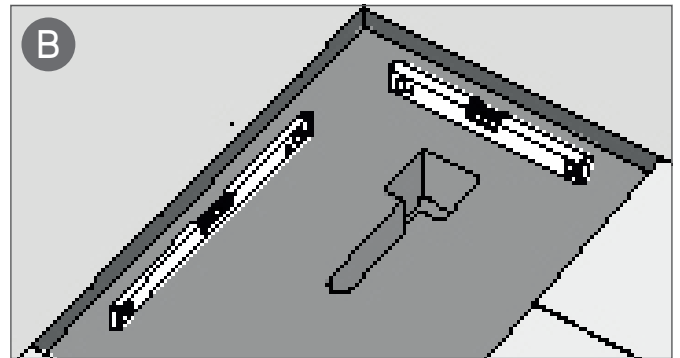
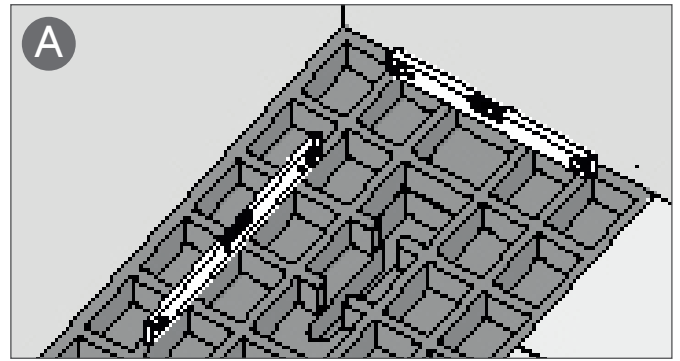
Please, before the installation of the shower tray be sure of:

- The shower tray has the drainage correctly.
- The surface of the shower tray is correct and there aren't defects on it.

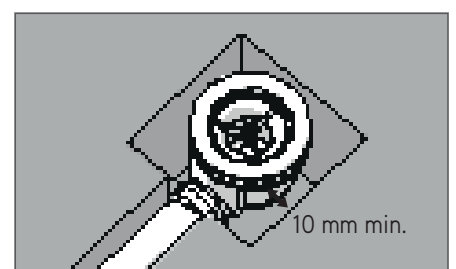
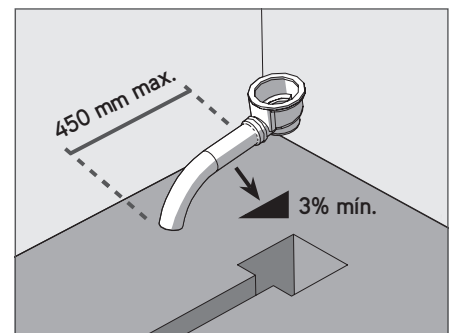
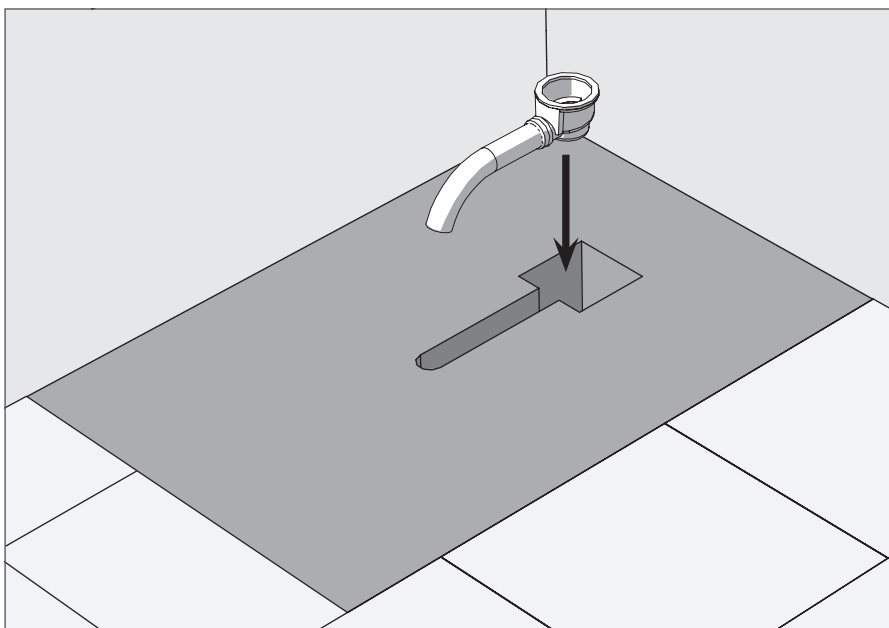
Take into account that any claim will not be accepted of product that has been installed. Please, is important to check it out before the installation.



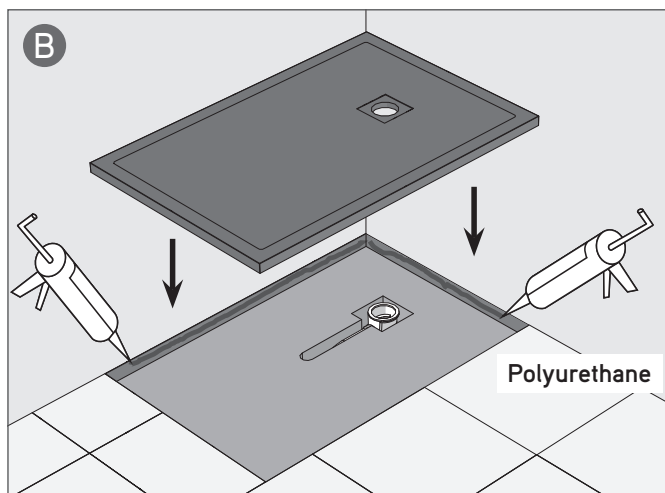
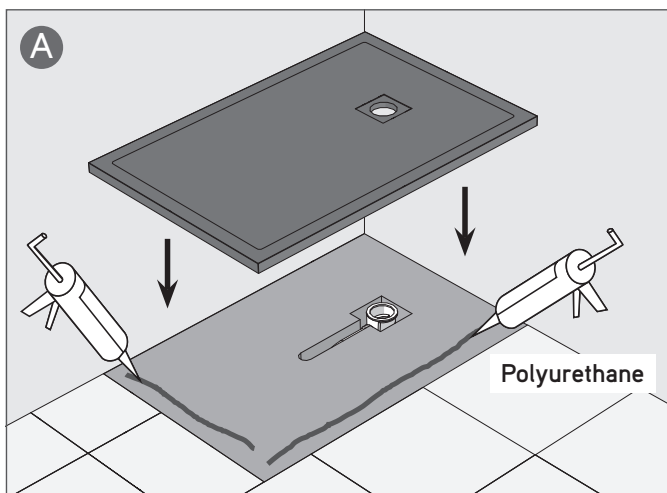
1



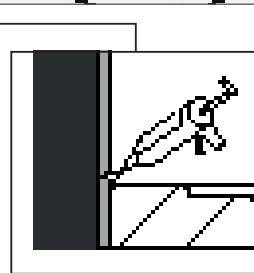
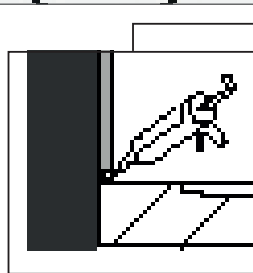
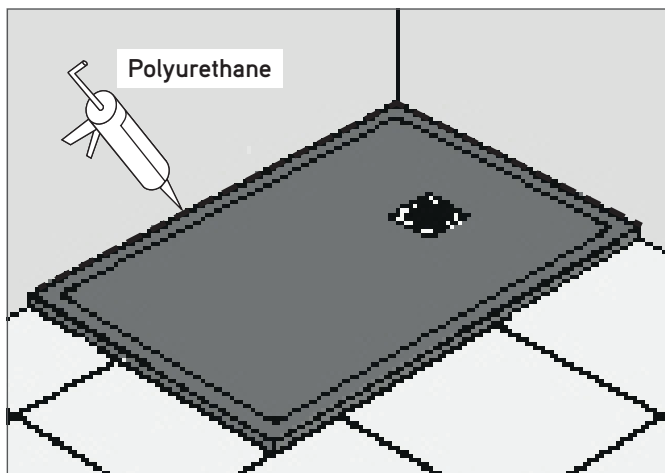
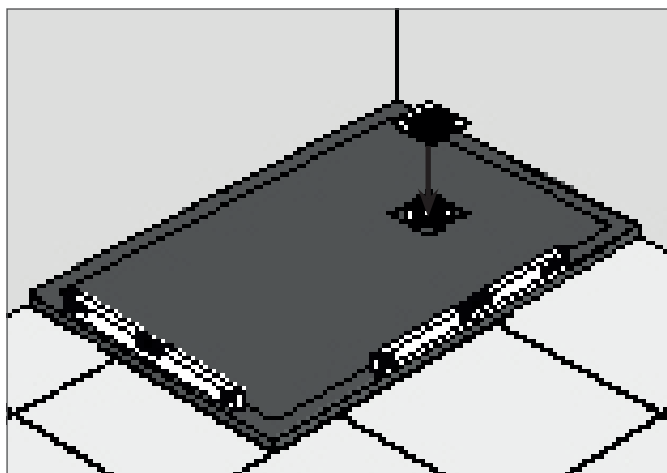
2



3



4



5

