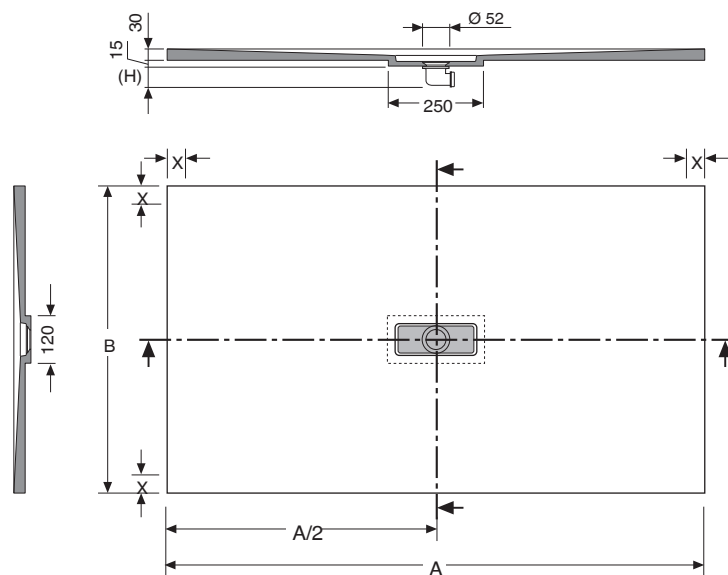


Shower tray ARQ



A	B	V	P
1300	1300	0,159	95
1310 → 1400	1300	0,170	103
1410 → 1500	1300	0,182	112
1510 → 1600	1300	0,193	120
1610 → 1700	1300	0,204	125
1710 → 1800	1300	0,216	134
1810 → 1900	1300	0,227	142

A	B	V	P
1300	1400	0,170	103
1310 → 1400	1400	0,182	112
1410 → 1500	1400	0,195	122
1510 → 1600	1400	0,207	131
1610 → 1700	1400	0,219	136
1710 → 1800	1400	0,231	145
1810 → 1900	1400	0,243	155

Units: mm / V: m³ / P: Kg

(H) Height according to valve supplied

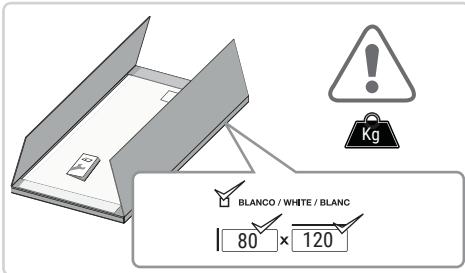
X Glass enclosure zone. The minimum area reserved for the glass enclosure is 30mm

ARQ

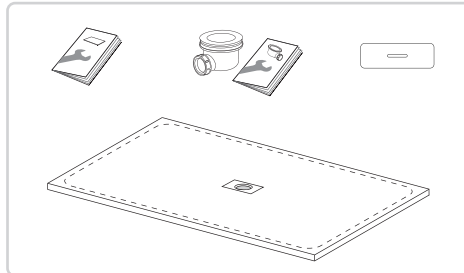
Installation

SHOWER TRAY ARQ

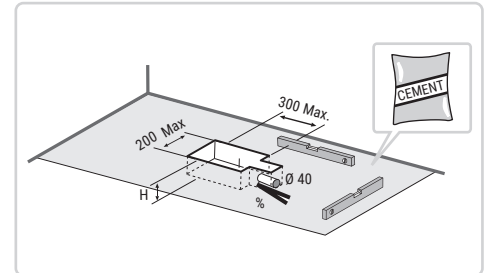
1



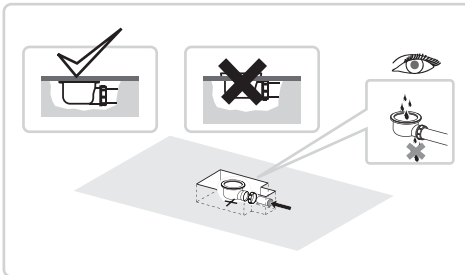
2



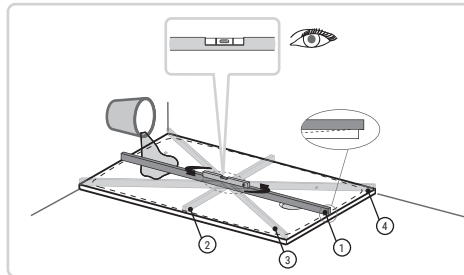
3



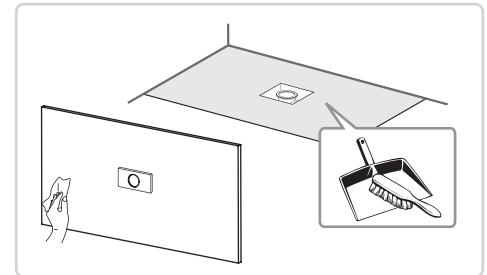
4



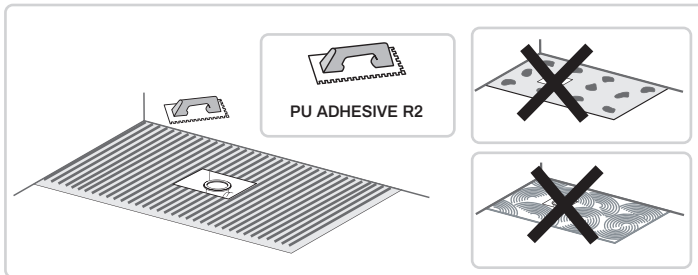
5



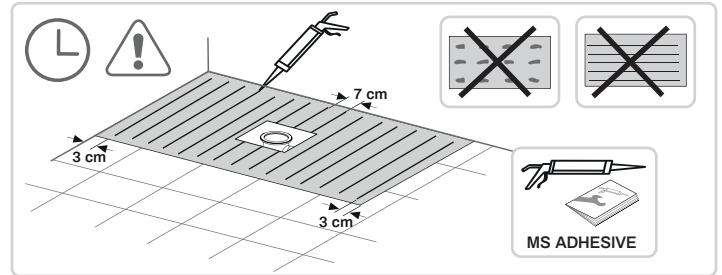
6



7.1 OPTION (A)



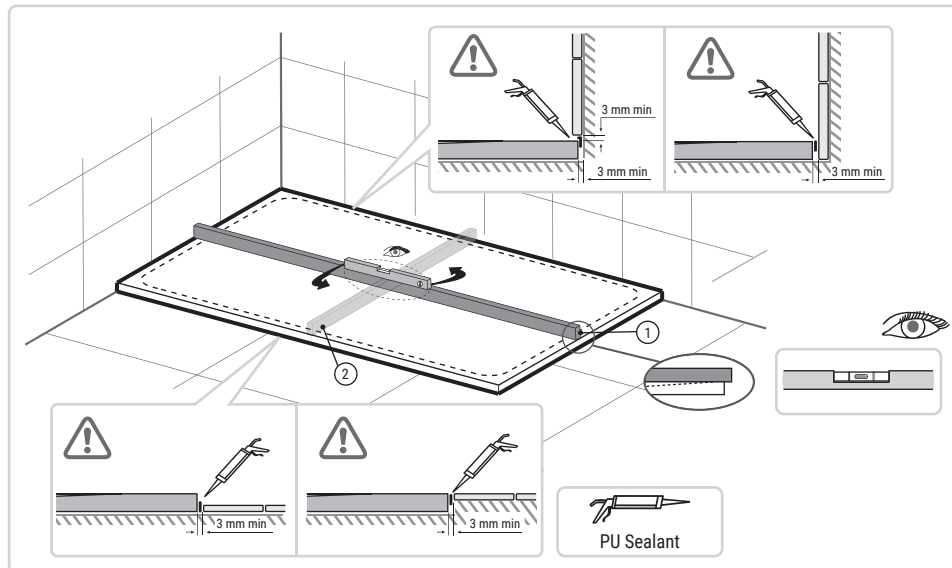
7.2 OPTION (B)



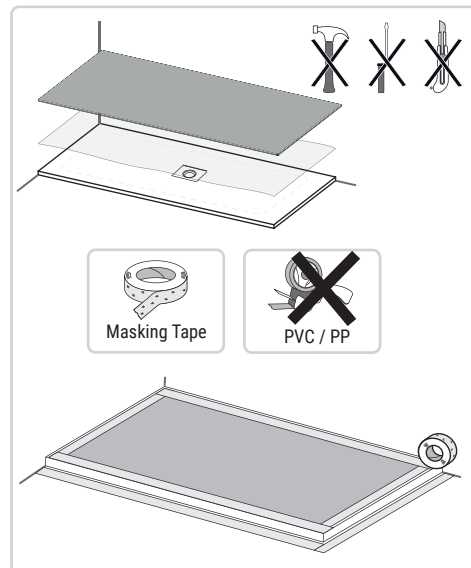
Installation

SHOWER TRAY ARQ

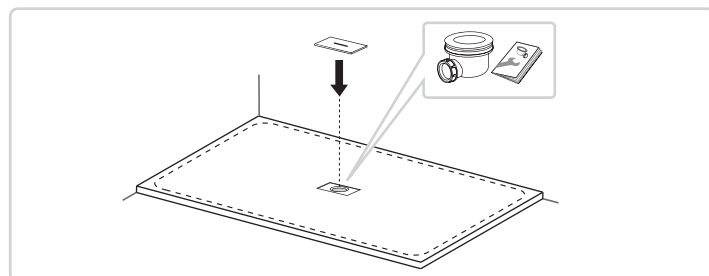
8



9



10



11

