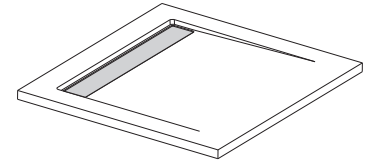
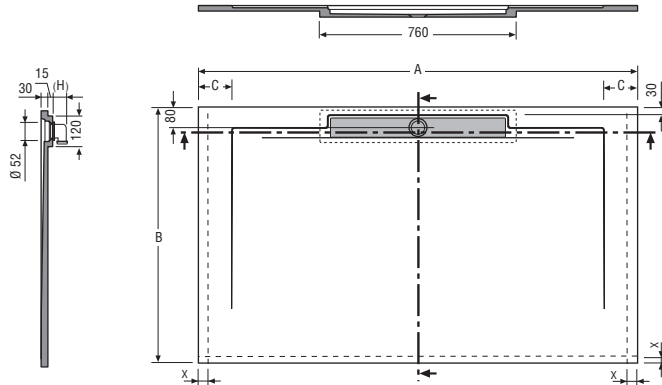


LINE

Pre-installation

LINE



(H) Height according to valve supplied

X Glass enclosure zone. The minimum area reserved for the glass enclosure is 30mm

LineY rectangulaire / Smooth / Slate

A	B	C	V	P
1200	800	30	0'094	49
1210 → 1300	800	35 → 80	0'104	54
1310 → 1400	800	85 → 130	0'109	59
1410 → 1500	800	35 → 80	0'119	62
1510 → 1600	800	85 → 130	0'124	67
1610 → 1700	800	35 → 80	0'134	70
1710 → 1800	800	85 → 130	0'139	75

A	B	C	V	P
1200	900	30	0'094	55
1210 → 1300	900	35 → 80	0'104	61
1310 → 1400	900	85 → 130	0'109	67
1410 → 1500	900	35 → 80	0'119	70
1510 → 1600	900	85 → 130	0'124	76
1610 → 1700	900	35 → 80	0'134	80
1710 → 1800	900	85 → 130	0'139	85

A	B	C	V	P
1200	1000	30	0'094	62
1210 → 1300	1000	35 → 80	0'104	69
1310 → 1400	1000	85 → 130	0'109	75
1410 → 1500	1000	35 → 80	0'119	79
1510 → 1600	1000	85 → 130	0'124	85
1610 → 1700	1000	35 → 80	0'134	89
1710 → 1800	1000	85 → 130	0'139	95

LineX square / Smooth / Slate

A	B	C	D	E	V	P
800	800	30	760	30	0'079	35
900	900	80	760	30	0'079	44
1000	1000	80	860	30	0'079	53

LineY rectangulaire / Smooth

A	B	C	V	P
1200	1300	30	0'157	100
1210 → 1300	1300	35 → 80	0'168	109
1310 → 1400	1300	85 → 130	0'179	119
1410 → 1500	1300	135 → 180	0'190	128
1510 → 1600	1300	35 → 80	0'181	139
1610 → 1700	1300	85 → 130	0'191	150
1710 → 1800	1300	35 → 180	0'202	156
1810 → 1900	1300	85 → 130	0'213	166

A	B	C	V	P
1200	1400	30	0'168	109
1210 → 1300	1400	35 → 80	0'180	119
1310 → 1400	1400	85 → 130	0'192	129
1410 → 1500	1400	135 → 180	0'204	139
1510 → 1600	1400	35 → 80	0'194	152
1610 → 1700	1400	85 → 130	0'206	163
1710 → 1800	1400	35 → 180	0'217	170
1810 → 1900	1400	85 → 130	0'229	181

A	B	C	V	P
1200	1500	30	0'179	118
1210 → 1300	1500	35 → 80	0'192	128
1310 → 1400	1500	85 → 130	0'205	139
1410 → 1500	1500	135 → 180	0'218	150

Units: mm / V: m³ / P: Kg

LINE

Installation

LINE

1

2

3

4

5

6

7

8

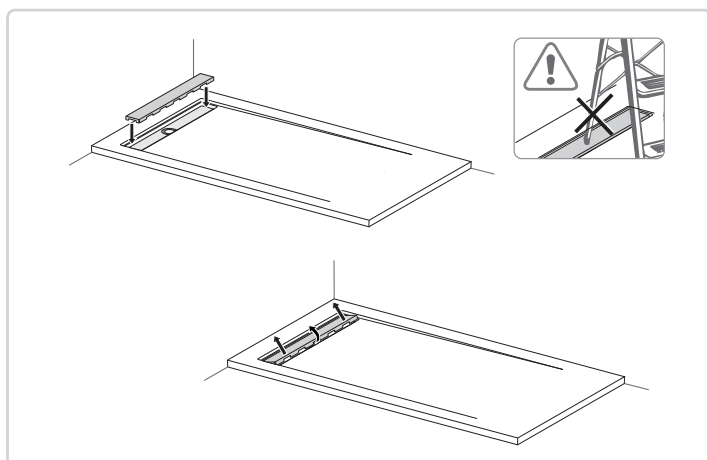
9

LINE

Installation

LINE

10



11

