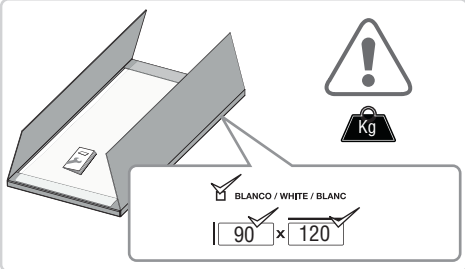
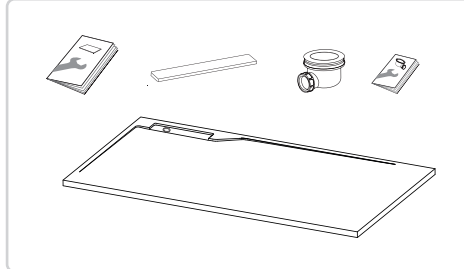


Installation

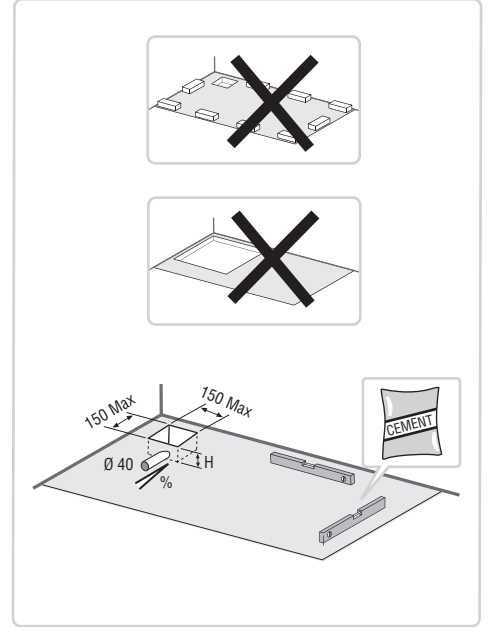
1



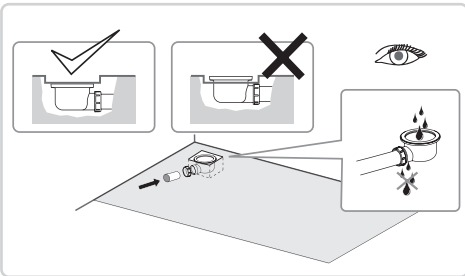
2



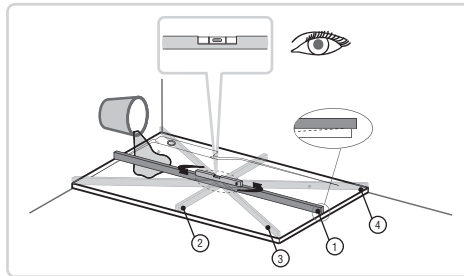
3



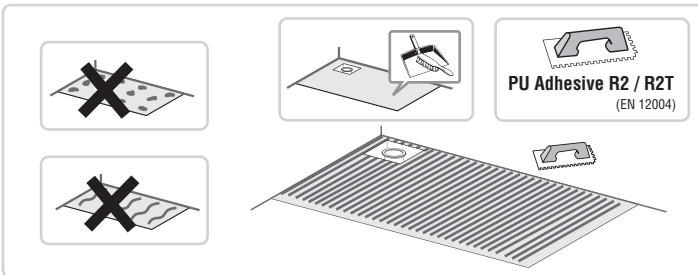
4



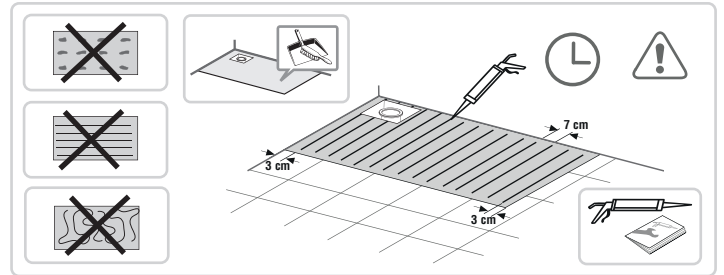
5



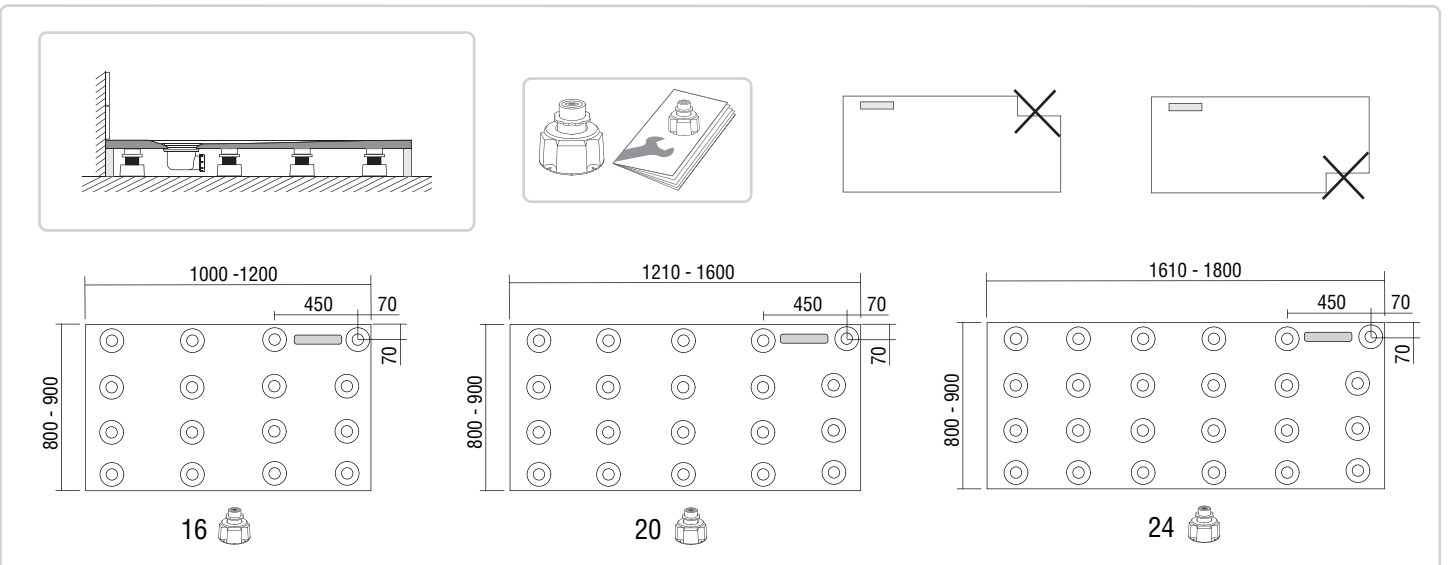
6.1 OPTION (A)



6.2 OPTION (B)

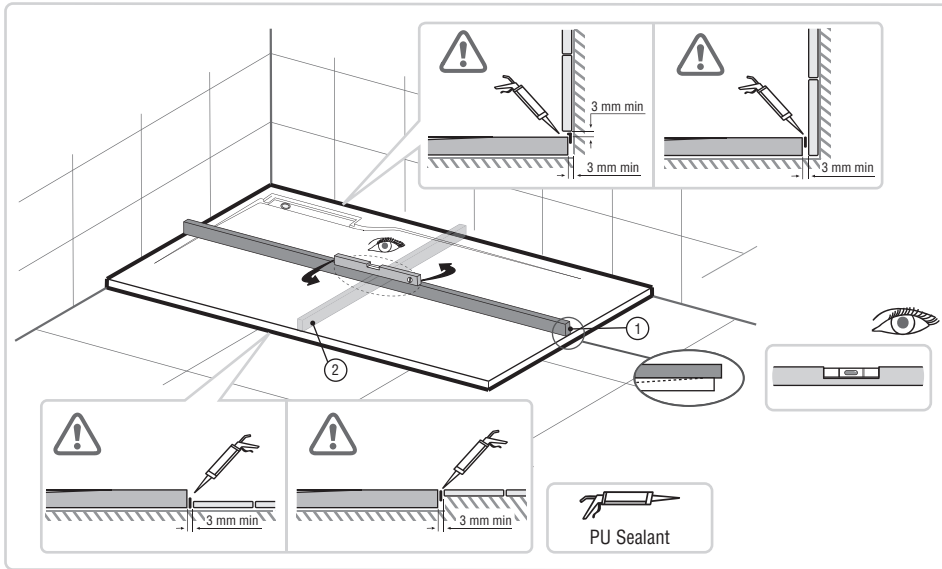


6.3 OPTION (C)

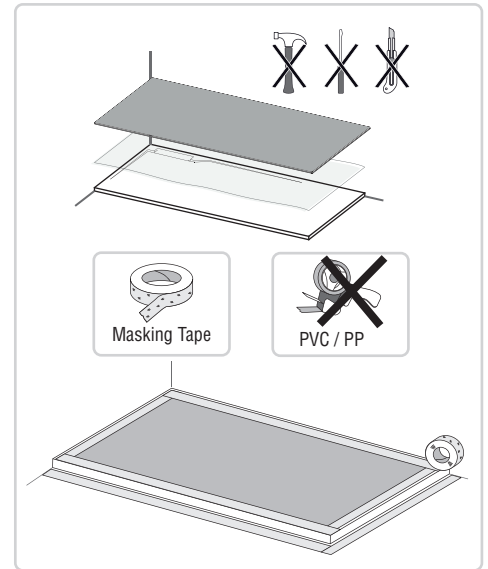


Installation

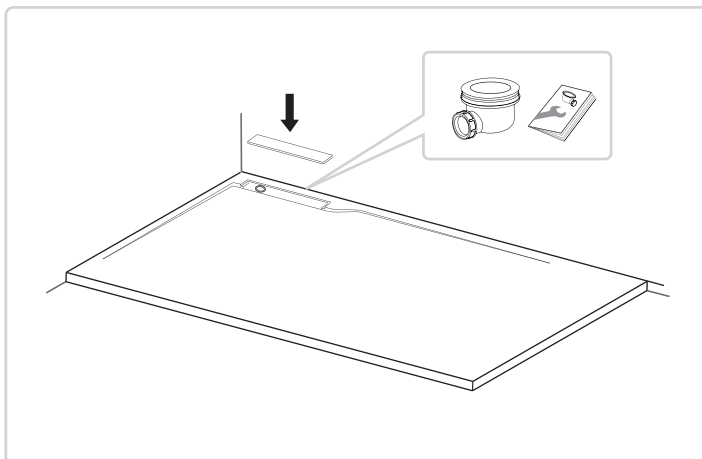
7



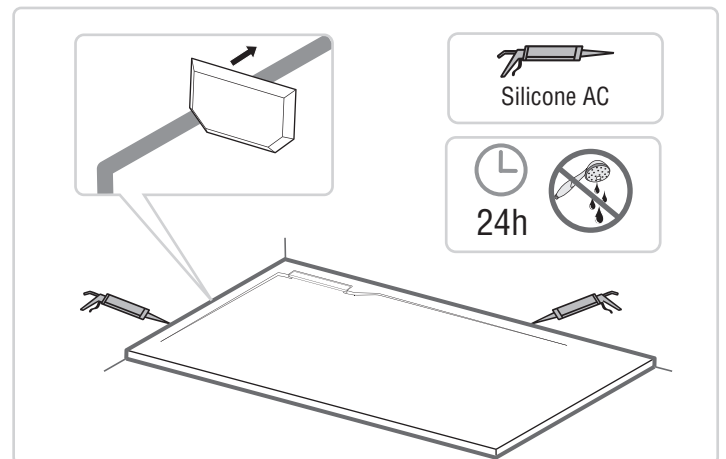
8



9



10



Adhesives and others

Not supplied with the shower tray



Two-component polyurethane adhesive R2 or R2T

Cube of 5KG or 10KG White



MS Adhesive for installation in cords

300 ml cartridge



Silicone sealant

310 ml cartridge



Feet

Pack of 4 pieces for installation on feet