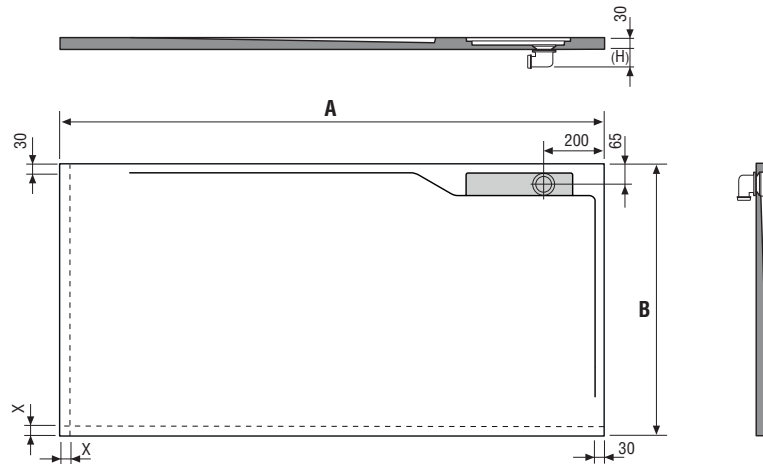


# Coloured Corner Waste Shower Trays (60CNR)

## Pre-installation

### Drain Right

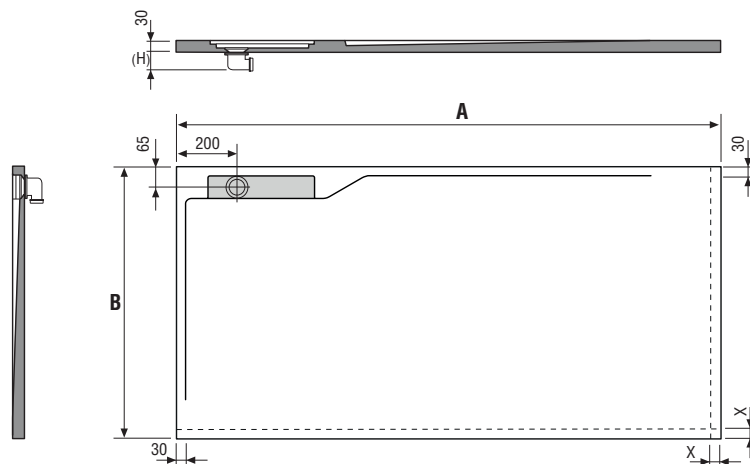


A	B	V	P
1000	800	0'047	42
1010 → 1100	800	0'056	48
1110 → 1200	800	0'056	53
1210 → 1300	800	0'065	57
1310 → 1400	800	0'065	62
1410 → 1500	800	0'079	66
1510 → 1600	800	0'079	71
1610 → 1700	800	0'079	74
1710 → 1800	800	0'088	80

A	B	V	P
1000	900	0'047	49
1010 → 1100	900	0'056	55
1110 → 1200	900	0'056	61
1210 → 1300	900	0'065	65
1310 → 1400	900	0'065	71
1410 → 1500	900	0'079	76
1510 → 1600	900	0'079	81
1610 → 1700	900	0'079	85
1710 → 1800	900	0'088	91

Units: mm / V : m<sup>3</sup> / P: Kg

### Drain Left



A	B	V	P
1000	800	0'047	42
1010 → 1100	800	0'056	48
1110 → 1200	800	0'056	53
1210 → 1300	800	0'065	57
1310 → 1400	800	0'065	62
1410 → 1500	800	0'079	66
1510 → 1600	800	0'079	71
1610 → 1700	800	0'079	74
1710 → 1800	800	0'088	80

A	B	V	P
1000	900	0'047	49
1010 → 1100	900	0'056	55
1110 → 1200	900	0'056	61
1210 → 1300	900	0'065	65
1310 → 1400	900	0'065	71
1410 → 1500	900	0'079	76
1510 → 1600	900	0'079	81
1610 → 1700	900	0'079	85
1710 → 1800	900	0'088	91

Units: mm / V : m<sup>3</sup> / P: Kg

(H) Height according to valve supplied

X Glass enclosure zone. The minimum area reserved for the glass enclosure is 30mm.