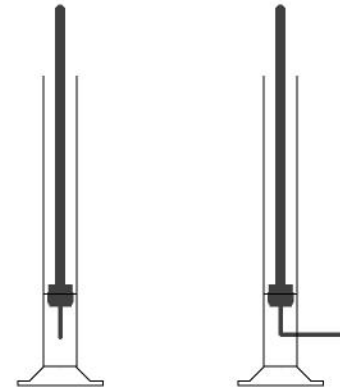
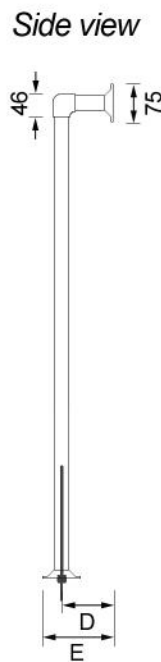
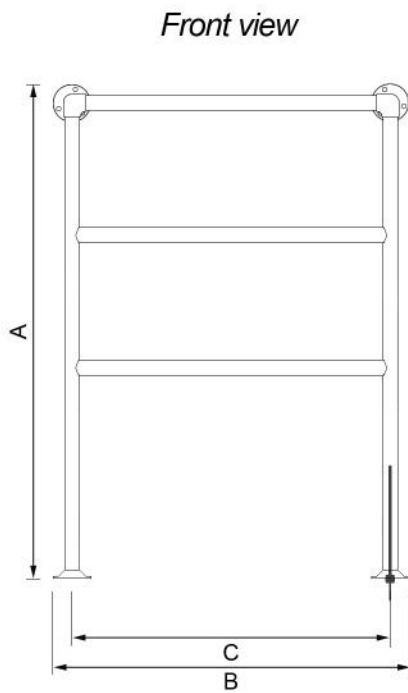


Front view

Side view

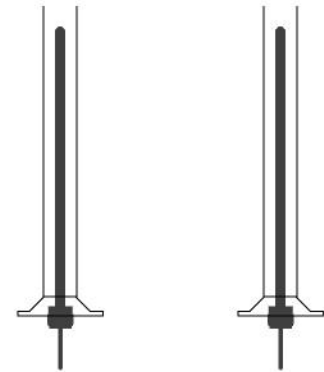


Hidden element / back of leg



Front view

Side view



Hidden element / under leg

Height (A)	Width (B)	Rail		Depth (E)	Output (watts)	Output (BTU)	Bars (horizontal)	Bar Ø (vertical)	Bar Ø (horizontal)
		centres (C)	Depth (D)						
955	505	430	100	138	178	607	3	32	32
955	690	615	100	138	210	716	3	32	32
955	845	770	100	138	236	805	3	32	32
955	995	920	100	138	263	897	3	32	32
1300	480	405	100	138	236	805	4	32	32
1300	690	615	100	138	285	972	4	32	32
1605	480	405	100	138	294	1003	5	32	32
1605	690	615	100	138	355	1211	5	32	32