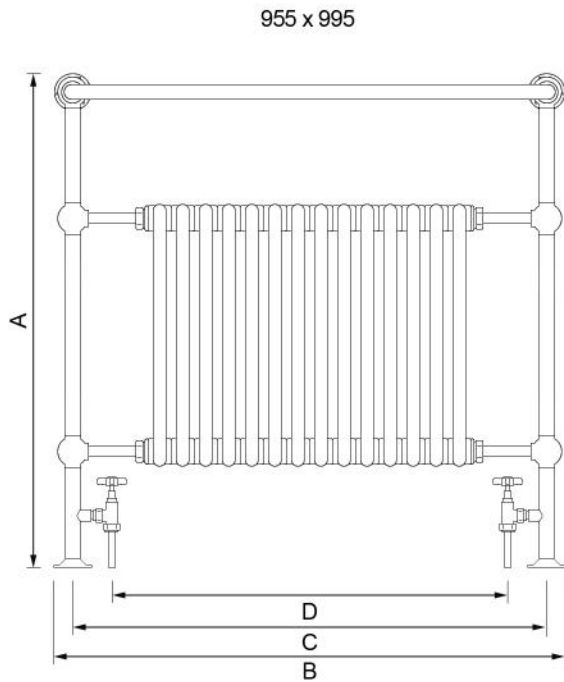
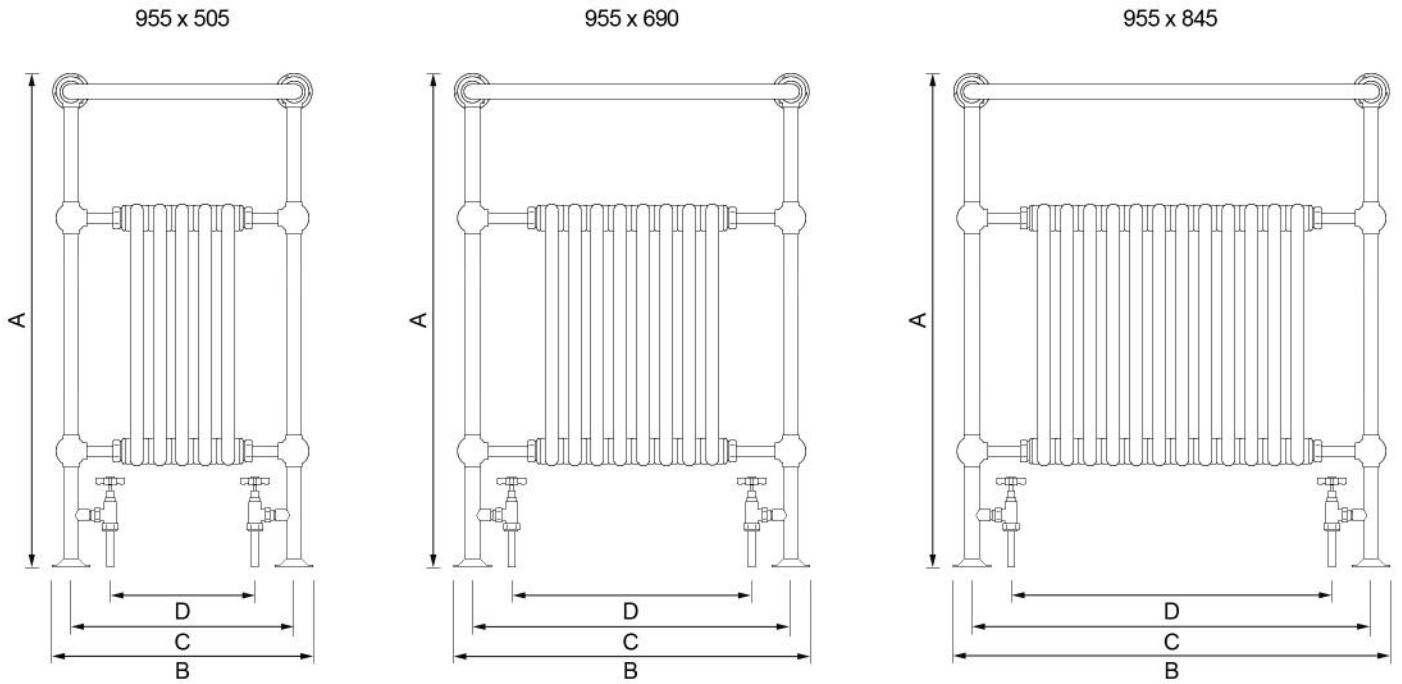
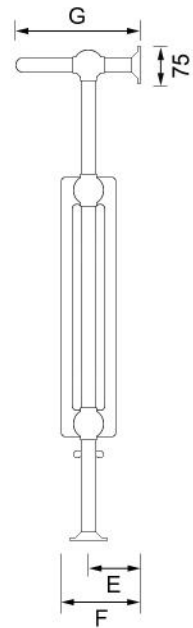


Front view



Side view



Height (A)	Width (B)	Rail centres (C)	Valve centres* (D)	Valve centres (E)	Depth (F)	Depth (G)	Output (watts)	Output (BTU)	Sections	Bar Ø (vertical)
955	505	430	278	100	154	240	399	1361	5	32
955	690	615	463	100	154	240	562	1918	8	32
955	845	770	618	100	154	240	721	2460	12	32
955	995	920	768	100	154	240	884	3016	14	32