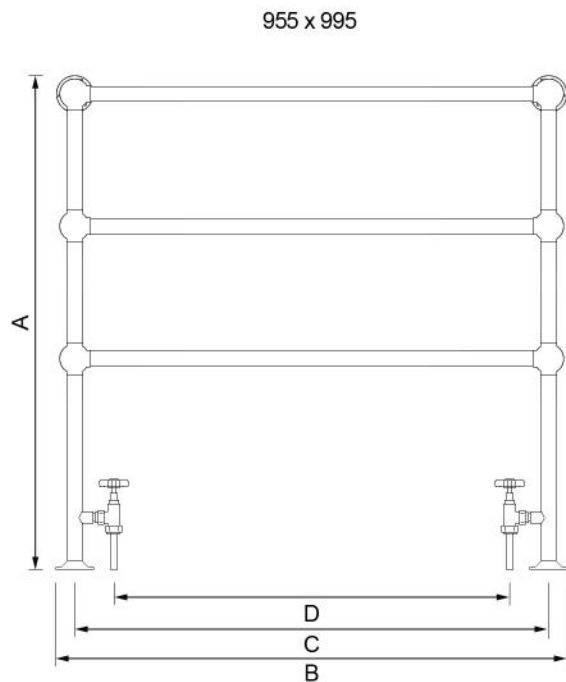
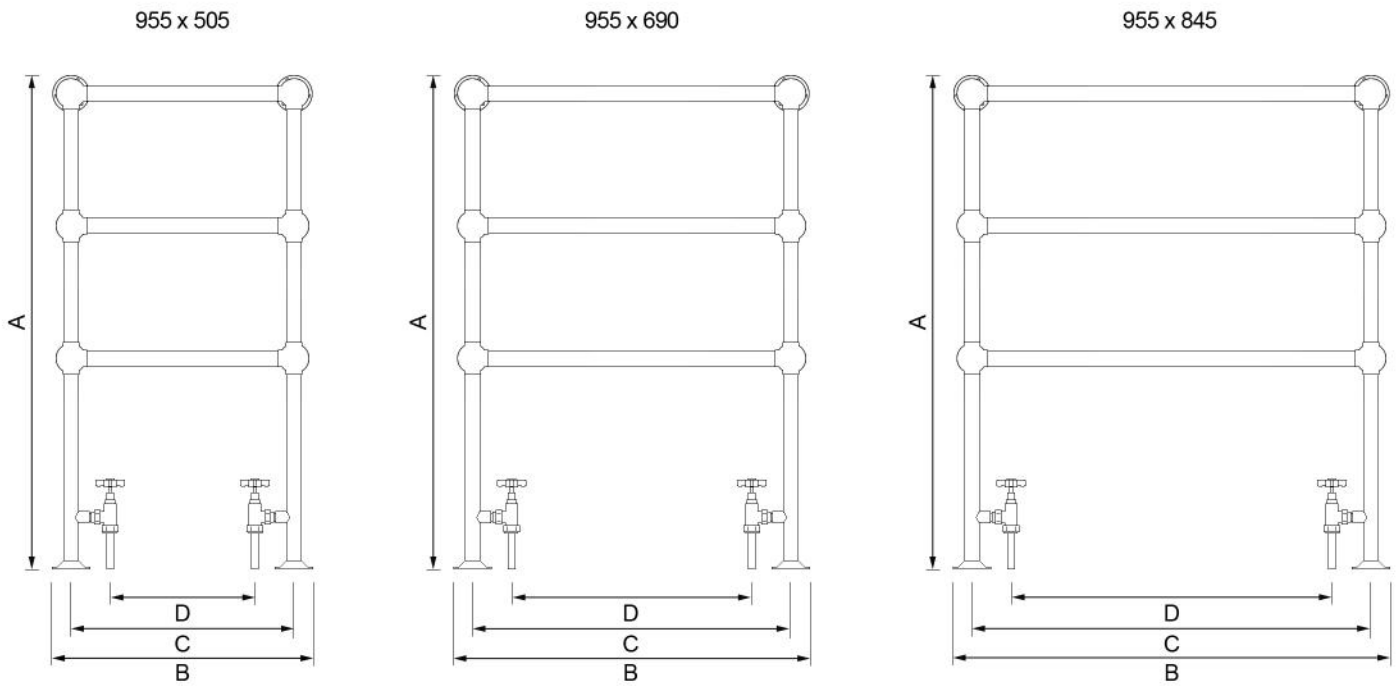
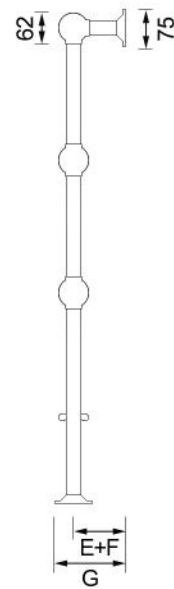


Front view



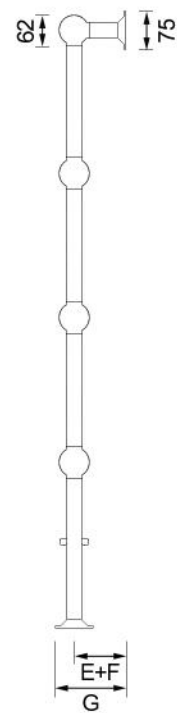
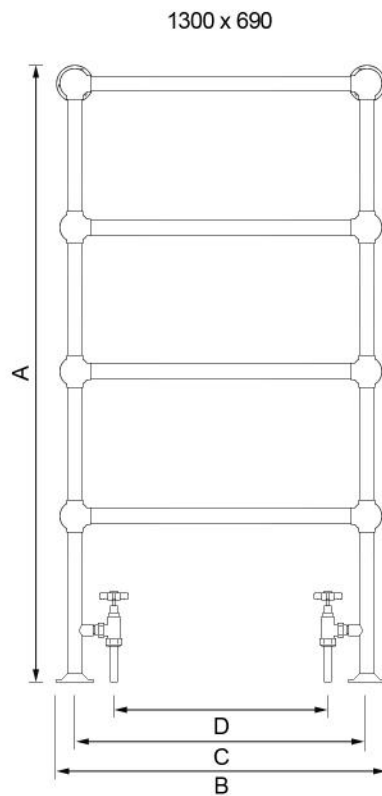
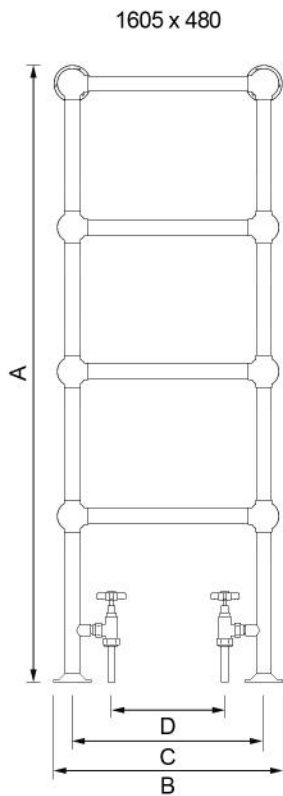
Side view



Height (A)	Width (B)	Rail centres (C)	Valve centres* (D)	Valve centres (E)	Depth (F)	Depth (G)	Output (watts)	Output (BTU)	Bars (horizontal)	Bar Ø (vertical)	Bar Ø (horizontal)
955	505	430	278	100	100	138	178	607	3	32	32
955	690	615	463	100	100	138	210	716	3	32	32
955	845	770	618	100	100	138	236	805	3	32	32
955	995	920	768	100	100	138	263	897	3	32	32

Front view

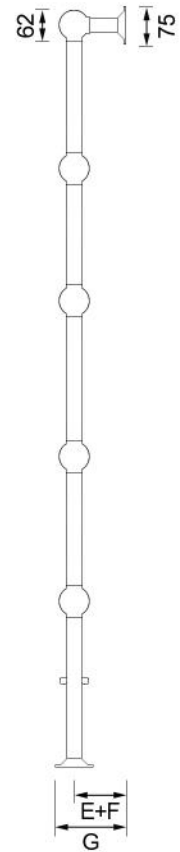
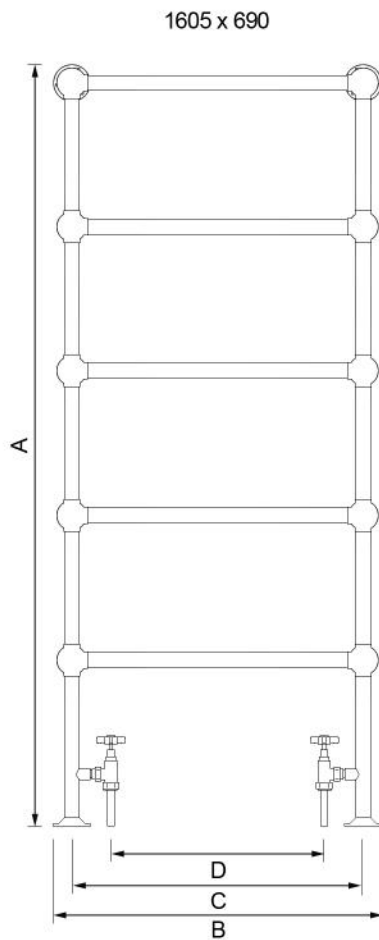
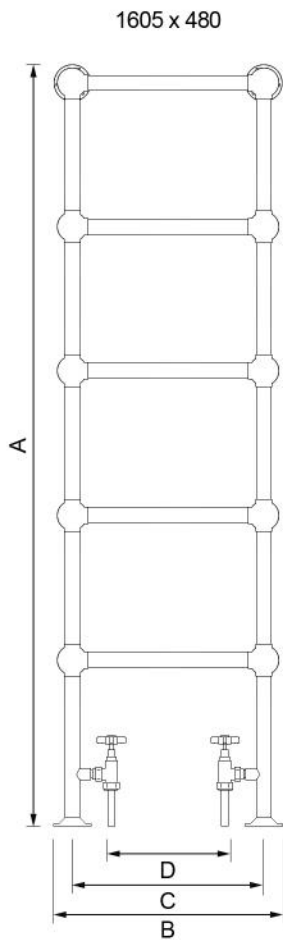
Side view



Height (A)	Width (B)	Rail centres (C)	Valve centres* (D)	Valve centres (E)	Depth (F)	Depth (G)	Output (watts)	Output (BTU)	Bars (horizontal)	Bar Ø (vertical)	Bar Ø (horizontal)
1300	480	405	253	100	100	138	236	805	4	32	32
1300	690	615	463	100	100	138	285	972	4	32	32

Front view

Side view



Height (A)	Width (B)	Rail centres (C)	Valve centres* (D)	Valve centres (E)	Depth (F)	Depth (G)	Output (watts)	Output (BTU)	Bars (horizontal)	Bar Ø (vertical)	Bar Ø (horizontal)
1605	480	405	253	100	100	138	294	1003	5	32	32
1605	690	615	463	100	100	138	355	1211	5	32	32