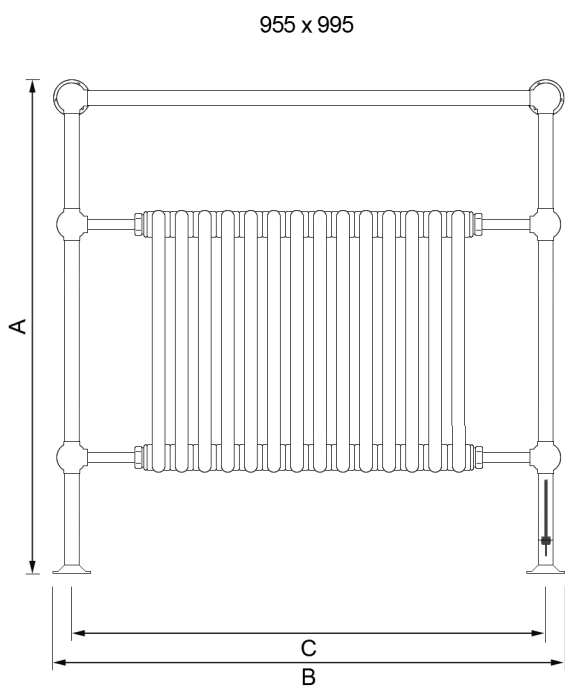
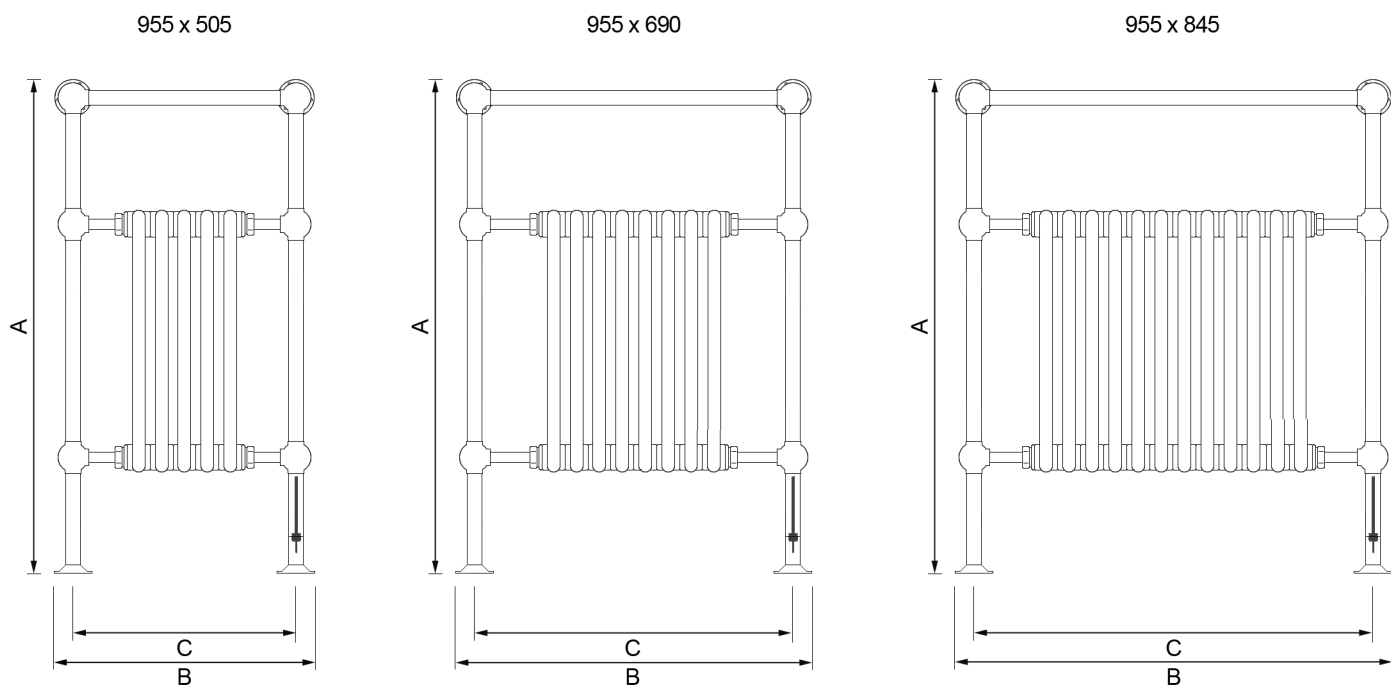
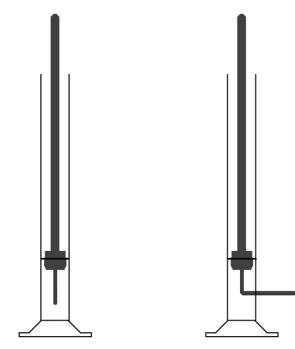
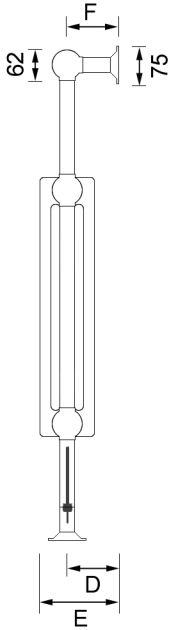


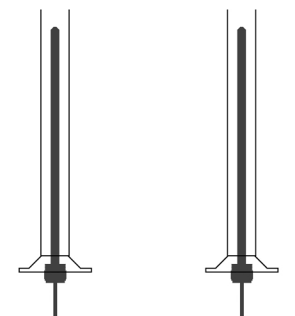
Front view



Side view



Hidden element / back of leg



Hidden element / under leg

Height (A)	Width (B)	Rail centres (C)	Rail centres (D)	Depth (E)	Depth (F)	Output (watts)	Output (BTU)	Sections	Bar Ø (vertical)
955	505	430	100	154	100	384	1310	5	32
955	690	615	100	154	100	546	1863	8	32
955	845	770	100	154	100	706	2409	12	32
955	995	920	100	154	100	867	2958	14	32