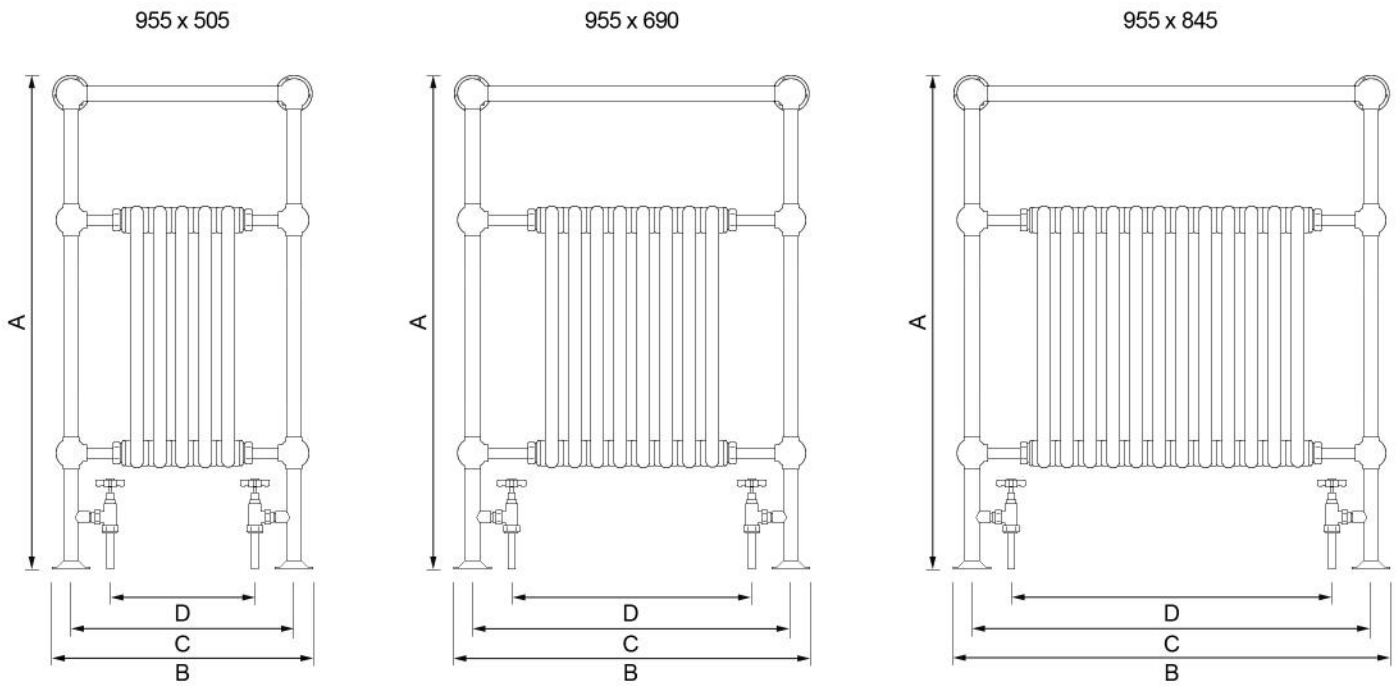
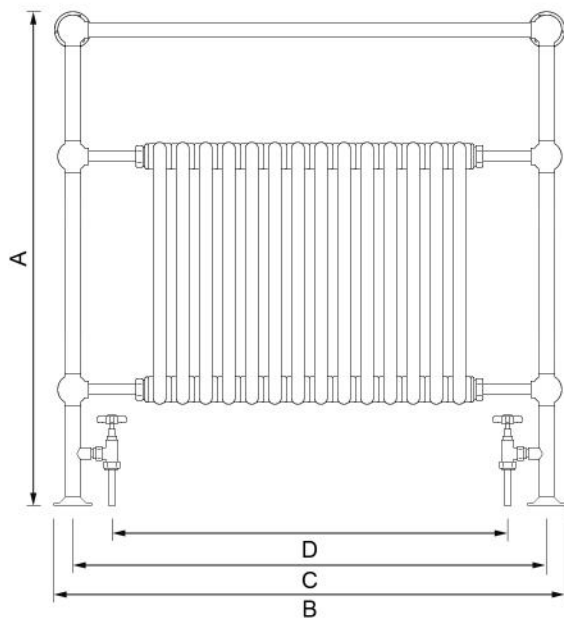


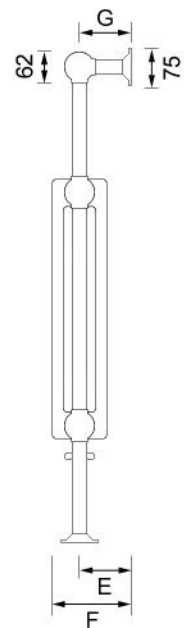
Front view



955 x 995



Side view



Height (A)	Width (B)	Rail centres (C)	Valve centres* (D)	Valve centres (E)	Depth (F)	Depth (G)	Output (watts)	Output (BTU)	Sections	Bar Ø (vertical)
955	505	430	278	100	154	100	384	1310	5	32
955	690	615	463	100	154	100	546	1863	8	32
955	845	770	618	100	154	100	706	2409	12	32
955	995	920	768	100	154	100	867	2958	14	32