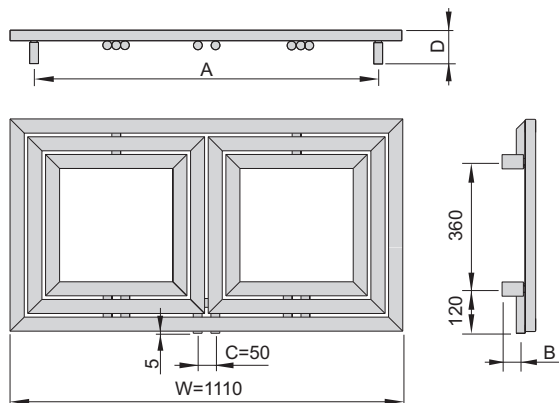


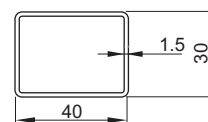


URBAN ANTHRACITE TOWEL WARMER (59R)

Width [mm]	Height [mm]	Depth [mm]	Spacing of connectors [mm]	Connection distance from the wall [mm]	Bracket spacing [mm]	Surface area heating [m ²]	Weight [kg]	Capacity [dm ³]	Power for $\Delta T=50K$ (75/65/20 °C) [W]	Power for $\Delta T=46K$ (75/65/24 °C) [W]	Power for $\Delta T=30K$ (55/45/20 °C) [W]	Maximum power electric heater [W]
W	H	D	C	B	A							
600	600	90-95	50	45-50	560	0,75	9,2	5,5	312	281	166	-
600	1110	90-95	50	45-50	560	1,34	16,1	9,8	556	502	296	-
600	1620	90-95	50	45-50	560	1,78	21,3	13,1	741	669	395	-
1110	600	90-95	50	45-50	970	1,35	17,0	9,9	560	505	298	-
1620	600	90-95	50	45-50	1480	1,80	24,2	13,2	749	676	399	-



Profile



Warranty	Cataphoresis + polyester-epoxy varnish; 10-year warranty;	
Mounting brackets	Wall mounting kit; handles in the color of the radiator	
Valve	Sold separately	
Working pressure:	10 bar	
Maximum temperature:	120 °C	
Connections:		Internal threads G1 / 2 G1 / 8 vent hidden at the back
Accessories:	Sold separately	
Comments	Heater supply on the left	

