



THE CLIP TOWEL WARMER 59C



___ Clips design inspiration is the Pop years. The theme is the dilation of the form of everyday objects and their change of function in a game of immediate recognition and pleasure. An elegant and refined radiator, pure in shape and proportions, with an innovative and unmistakable design made from a circular steel tube that runs sinuously, giving life to a unique and special towel warmer, which exceeds functionality to become a piece of furniture.

VERTICAL
H 1700 mm
L 383 mm
Z 268 mm





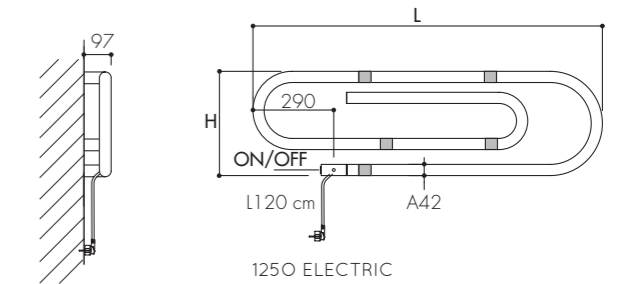
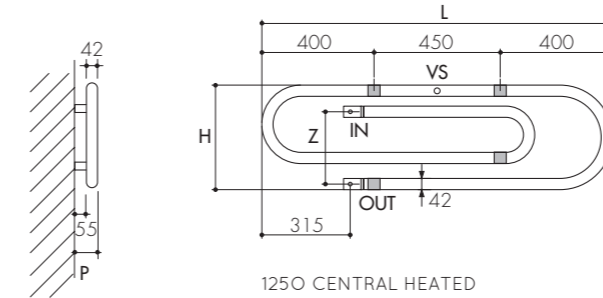
HORIZONTAL
H 383 mm
L 1700 mm
Z 268 mm



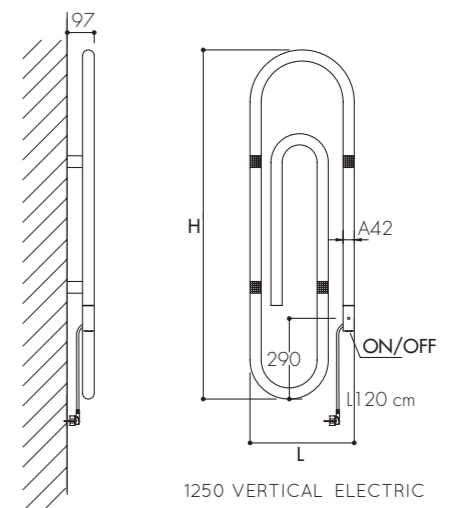
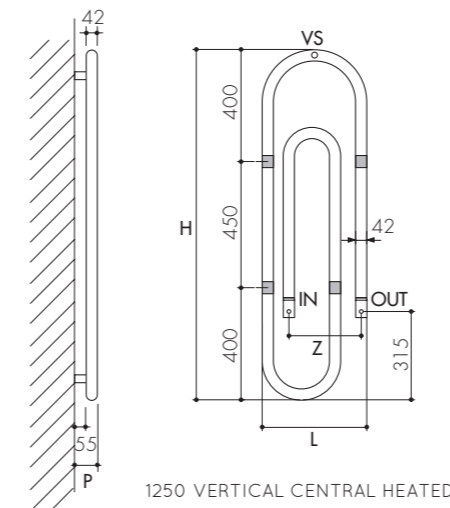
	IT	UK	FR	ES	DE
	- Acciaio	- Steel	- Acier	- Acero	- Stahl
	- Staffe a parete - Valvola e detentore non termostaticabile - Valvola di sfogo - Kit copritubo - Raccordi	- Wall brackets - Non thermostatic valve and lockshield valve - Exhaust valve - Tube cover kit - Connection	- Supports muraux - Vanne et raccord réglable pas thermostatique - Vanne de décompression - Kit cache-tube - Raccords	- Soportes de pared - Válvula y soporte no termostático - Purgador - Kit de cobertura tubo - Adaptadores	- Wandhalterungen - Ventil und keine Thermostat Halter - Entlüftungsventil - Rohrverkleidungssatz - Anschlüsse
	- Gamma colori - Cromo	- Colour chart - Chrome	- Gamme couleurs - Chrome	- Gama de colores - Cromo	- Farbpalette von - Chrom
	- Fornito con cavo L 150 cm e presa Schuko. Dotato di pulsante ON/OFF	- Furnished with cable L 150 cm and Schuko plug. Equipped with ON/OFF button	- Fourni avec câble L 150 cm et prise Schuko. Equipé avec le bouton ON/OFF	- Se suministra con cable L 150 cm y enchufe Schuko. Equipado con el interruptor ON/OFF	- Komplett mit Kabel L 150 cm und Schukostecker. Mit An/Aus-Schalter
	- Attacchi: 1/2" G - Pressione massima d'esercizio: 5 bar - Non disponibile per impianti monotubo - Disponibile in versione verticale e orizzontale	- Connections: 1/2" G - Maximum working pressure: 5 bar - Not available for single tube installation - Available in horizontal and in vertical version	- Connection: 1/2" G - Pression maximale de service: 5 bar - Non disponible pour installations monotube - Disponible en version verticale et horizontale	- Conexiones: 1/2" G - Presión máxima de trabajo: 5 bar - No disponible para instalaciones monotubo - Disponible en versión vertical y horizontal	- Anschlüsse: 1/2" G - Maximaler Betriebsdruck: 5 bar - Nicht für Einrohr-Anlagen verfügbar - In senkrechter und waagerechter Ausführung verfügbar

LEGENDA - LEGEND - LÉGENDE - LEYENDA - LEGEND

- Staffe a parete
- Wall brackets
- Supports muraux
- Soportes de pared
- Wandhalterungen



CHROME



RESE TERMICHE - THERMAL OUTPUT
UNI EN 442 (ΔT 50 K)

Watt = Kcal/h ÷ 0,860
Kcal/h = Watt x 0,860

ART.	DIMENSIONS			OUTPUT		RESIST.	CAPACITY	WEIGHT
	L	H	P	Z	W			
CLIP 1250 V	383	1250	97	268	450	380	120	4,1 12,0
vertical version								
CLIP 1250 H	1250	383	97	268	450	380	120	4,1 12,0
horizontal version								

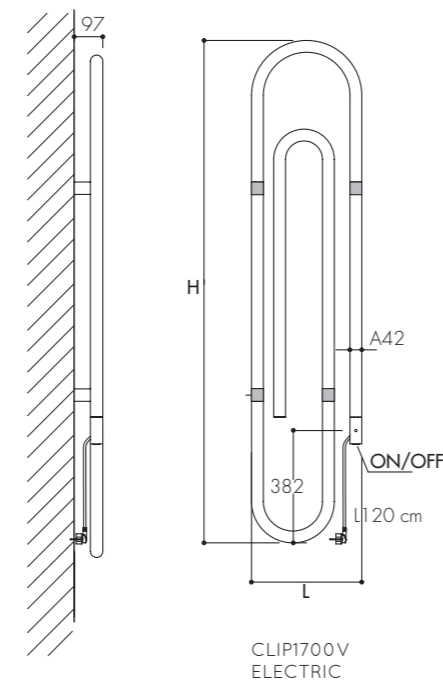
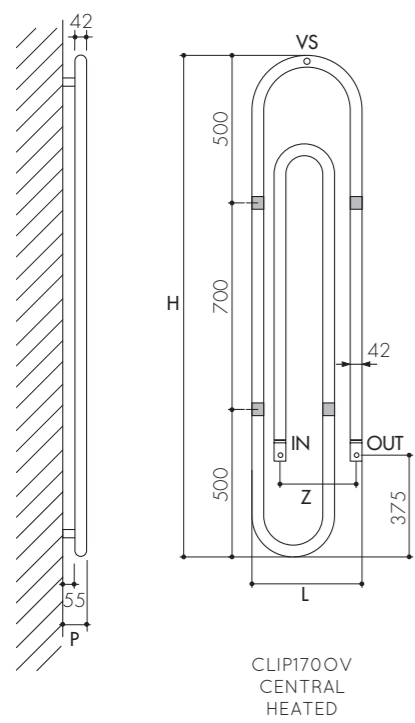
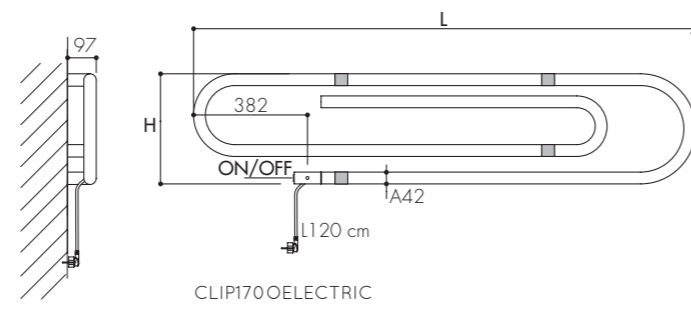
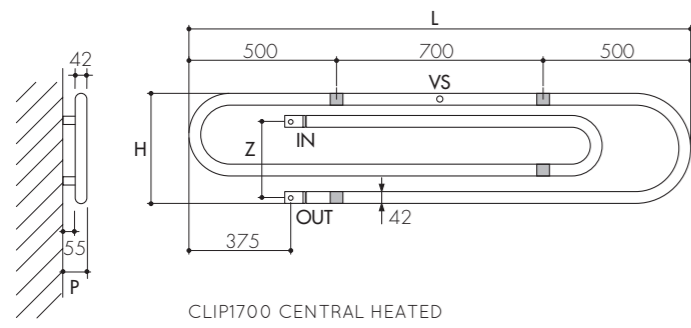
CENTRAL HEATED		ELECTRIC
COLOUR	CHROME	COLOUR

PLEASE SPECIFY IN THE ORDER MATERIAL AND DIAMETER OF THE CONNECTION PIPE. STANDARD COPPER PIPE Ø 12.

CLIP

LEGENDA - LEGEND - LÉGENDE - LEYENDA - LEGEND

- Staffe a parete
- Wall brackets
- Supports muraux
- Soportes de pared
- Wandhalterungen



! L'installazione delle Clip 170 verticali è vietata in impianti di riscaldamento centralizzati a colonna (tipo condominio) ove non sia possibile la taratura e il bilanciamento degli altri terminali presenti sulla stessa colonna montante

The installation of vertical Clip 170 is prohibited in column-type central heating systems (e.g. apartment block) where the calibration and balancing of the other terminals fitted in the same standpipe cannot be carried out

L'installation des Clip 170 verticaux est interdite dans les installations de chauffage centralisées a colonne (type copropriété) où il ne serait pas possible d'exécuter l'équilibrage et l'équilibrage des autres embouts prévus sur la même colonne montante

La instalación de las Clip 170 verticales queda prohibida en las instalaciones centralizadas de calefacción de columna (tipo bloque de apartamentos) en las que no pueden ejecutarse la calibración y el equilibrio de los otros terminales presentes en el mismo tubo montante

Die Installation der Clip 170 in der senkrechten Ausführung ist bei zentralisierten Säulenheizanlagen (wie in Miteigentumsgebäuden) nicht gestattet, wo die Eichung und der Ausgleich der anderen, an der Säule selbst angebrachten Anschlusseinheiten, nicht möglich ist

		RESE TERMICHE - THERMAL OUTPUT UNI EN 442 (ΔT 50 K)					Watt = Kcal/h ÷ 0,860 Kcal/h = Watt x 0,860		CENTRAL HEATED		ELECTRIC		
		DIMENSIONS			OUTPUT	OUT. CHROME	RESIST.	CAPACITY	WEIGHT	COLOUR	CHROME	COLOUR	CHROME
ART.	L	H	P	Z	W	W	Watt	Lt	Kg				
CLIP1700V	383	1700	97	268	640	550	216	5,8	17,0				
vertical version													
CLIP1700H	1700	383	97	268	640	550	216	5,8	17,0				
versione orizzontale horizontal version													

PLEASE SPECIFY IN THE ORDER MATERIAL AND DIAMETER OF THE CONNECTION PIPE. STANDARD COPPER PIPE Ø 12.