

Electric Floating Towel Bar Radiator (58ELC)

Fitting Instruction

Thank you for choosing our products. Please read this manual carefully before you install.
Please keep this manual for future reference.

Note: Before drilling, use an electronic detector to confirm whether there are power lines, communication cables or water pipes in the wall. If using a power drill, don't forget the following two tips:

1. Please wear protective goggles.
2. Turn off the power after using the device.

Warning: There is risk of electric shock. This product must be safely grounded.

Important information

Note:

1. Please cut off the power when not in use for a long time.
2. The electrical outlet should be located where protected from immersion and splashing water, and a waterproof box is recommended.
3. This appliance is not intended for use by persons (including children) with reduced physical, sensory or mental capabilities, or lack of experience and knowledge, unless they have been given supervision or instruction concerning use of the appliance by a person responsible for their safety. Children should be supervised to ensure that they do not play with the appliance.

WARNING:

Appliances are intended for drying washed textiles only.

In order to avoid a hazard for very young children, this appliance should be installed, so that the appliance is at least 615 mm above floor level.

Do not use the appliance if the mains cord or other parts are damaged. If the supply cord is damaged, it must be replaced by the manufacturer, its service agent or a qualified electrician in order to avoid a hazard.

When using electrical products, basic precautions need to be adhered to as follows:

There is a risk of electric shock and all wiring must be connected by a licensed electrician.

There is a risk of electric shock, turn off the power before servicing.

There is a risk of personal injury or material damage, read all instructions carefully before installation.

Include the following requirements.

NOTE: Follow all local plumbing and electrical codes.

The product must be grounded. The junction box is only to be installed by authorized electrician to make sure the wiring is securely grounded.

Concealed products

Please reserve PVC conduits in advance where the product needs to be used. Determine the installation location of the product, pre-embed the PVC threading pipe, and the PVC pipe should not be higher than the wall. The fixed wiring of the appliance connection must be in accordance with the wiring rules: equipped with its contact spacing to provide a full disconnection device under the condition of overvoltage class III. Leakage protector switch wiring.

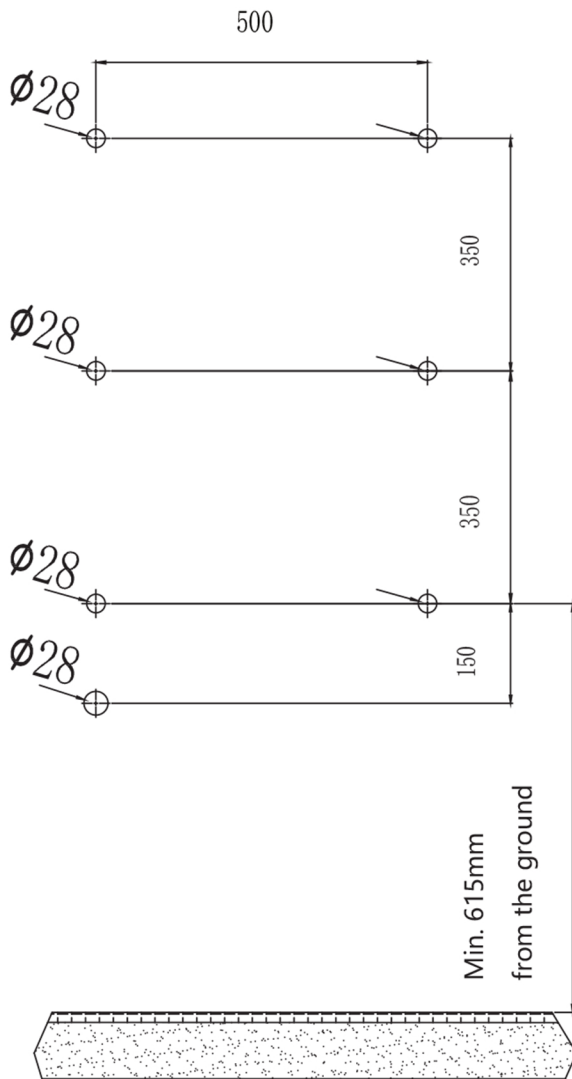
WARNING: In order to avoid a hazard for very young children, this appliance should be installed, so that the appliance is at least 615 mm above floor level.

Maintenance Instructions

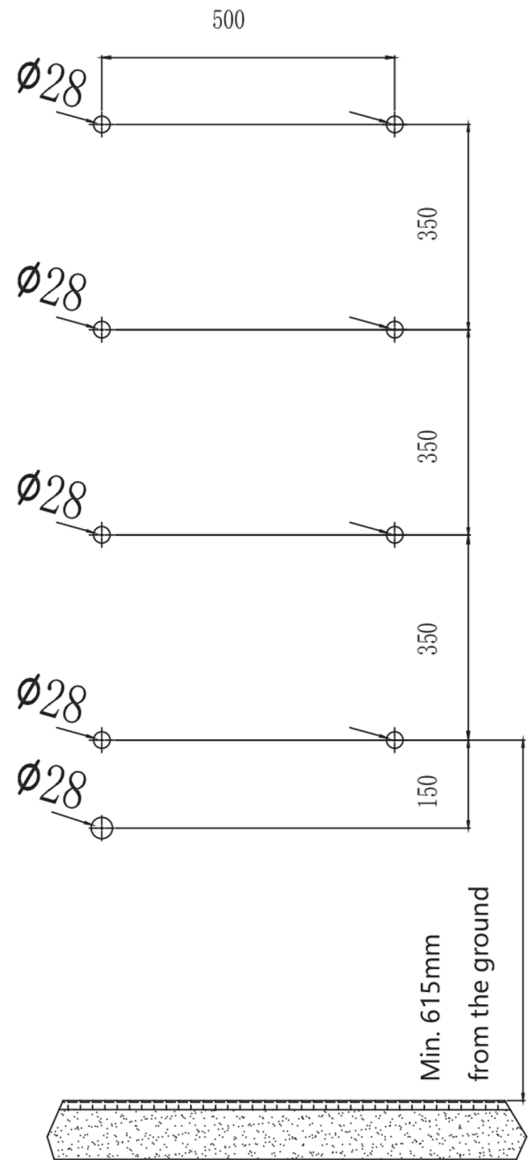
- 1. In order to better maintain this product, please wipe it with warm water and a soft towel (or sponge). The detergent containing caustic or bleach is harmful to this product.**
- 2. When maintaining the machine, please turn off the power first or unplug it to ensure safety.**
- 3. It is forbidden to use decontamination powder, abrasive powder and oil, acid and alkaline cleaners for cleaning, and it is forbidden to dry towels or underwear on the surface of the product.**
- 4. Do not hit the case.**
- 5. For indoor installation and use only.**

Dimensions

Reference value (the figure below is the actual state of the product after installation, and the outlet method of different models is based on the figure below)

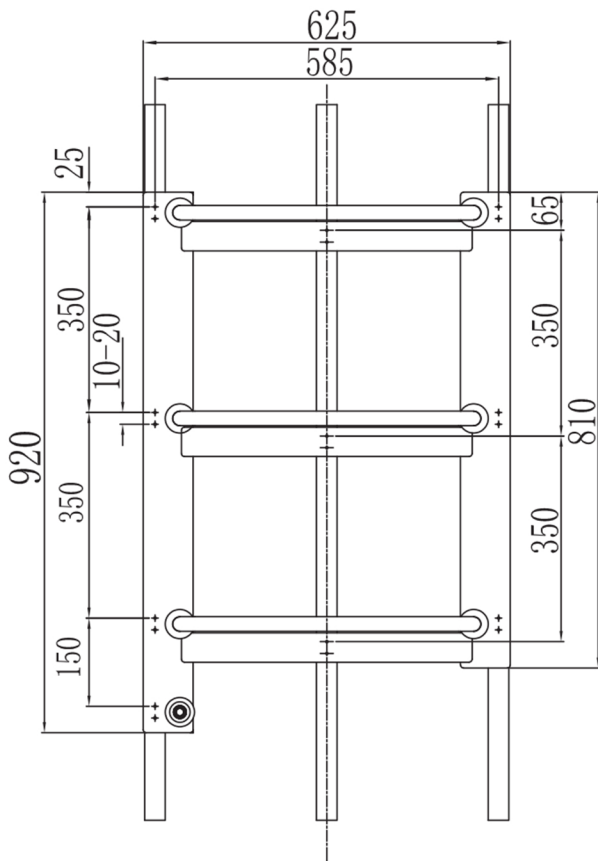


3-bars with switch

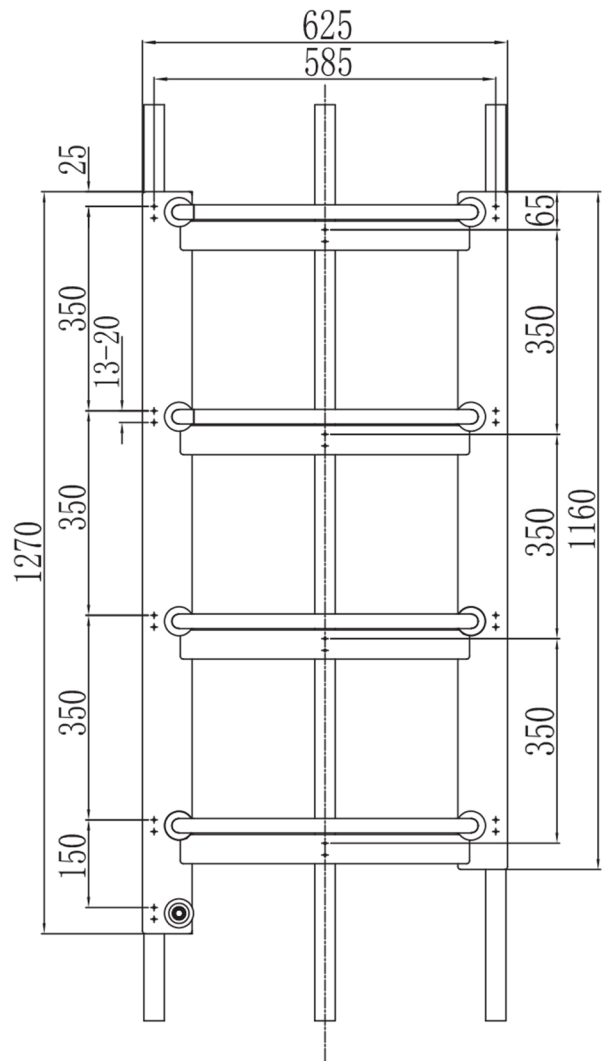


4-bars with switch

Installation Dimensions

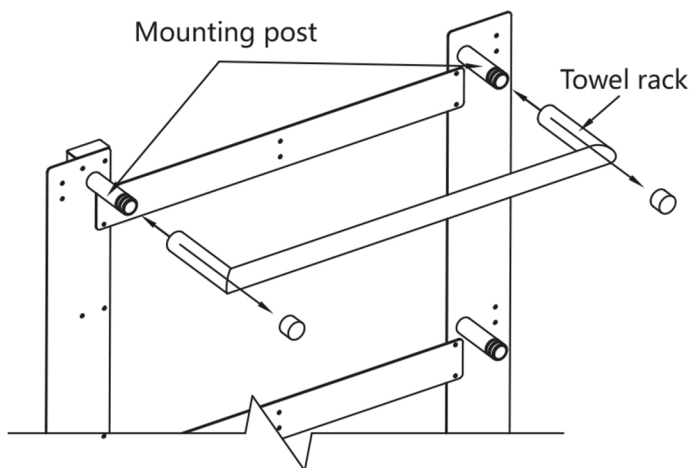


3-bars with switch

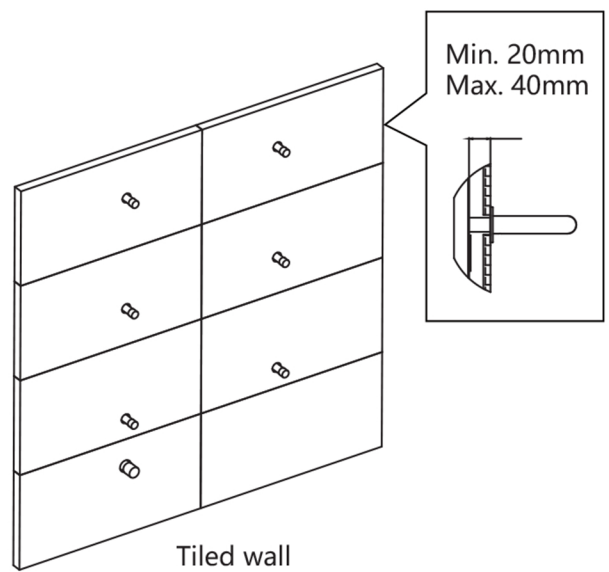


4-bars with switch

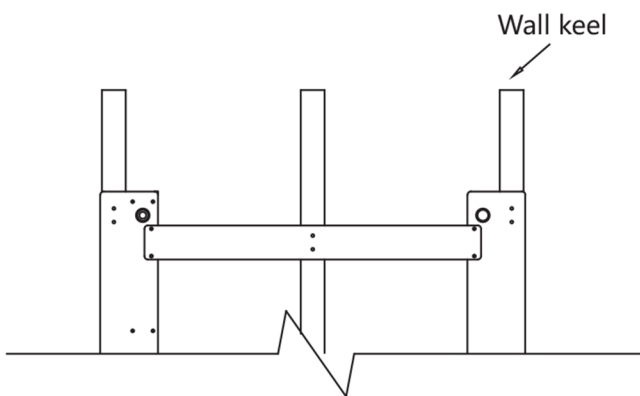
Installation Notes



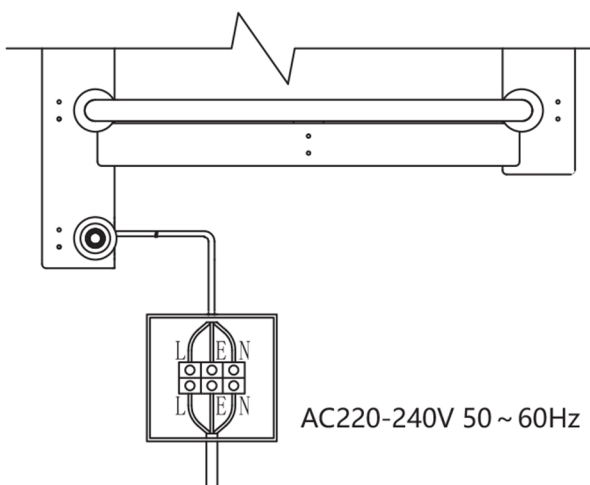
1. Check each towel rack to make sure they fit properly onto each mounting post. If they don't fit, adjust the frame accordingly. Protect the O-ring. If the O-rings are damaged, replace with new ones.



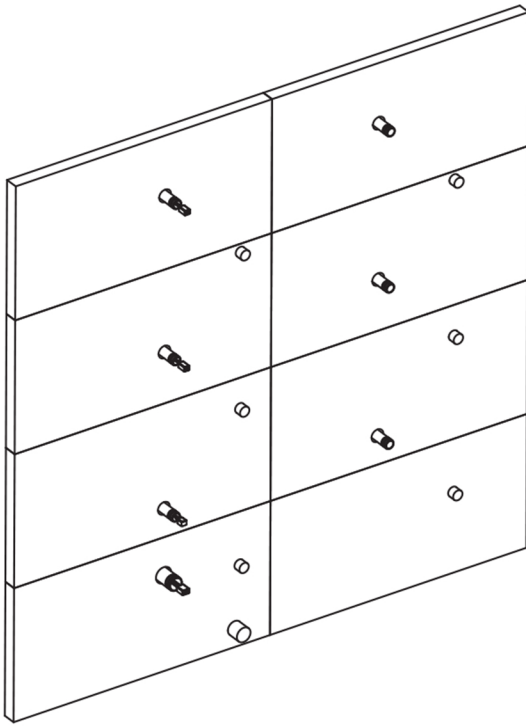
4. When laying tiles on the wall, pay attention to the thickness of the tiles.



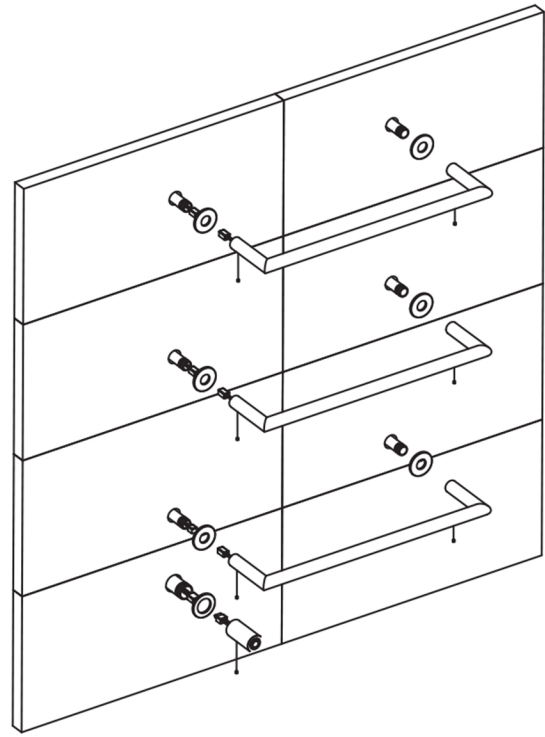
2. Install the base bracket on the wall keel.



3. Connect the power cord (WARNING: Only to be serviced by authorized electrician.)



5. Remove the protective cover.









6. Fix the towel rack on the mounting post.

Product information

Model	Frequency	Rated Power	Rated Voltage	Waterproof Rating
3-bars	50Hz	33W	AC240V	IP24
4-bars	50Hz	44W	AC240V	IP24

Accessories list

No.	Description		Quantity	
			3-bars with switch	4-bars with switch
1	Hex headless machine screw M4*3		6	8
2	Phillips machine screw with spring washer + flat washer M4*6		18	24
3	Phillips countersunk head self-tapping screws ST4*30		18	24
4	Seal ring IDø25*OD29*2		12	16
5	Seal ring IDø16/ODø19.6*ø1.8		0	0
6	Hexwrench		1	1