

BRUSHED LADDER TOWEL RAIL

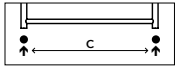
Location of "attachment" to the wall: ↓ 80 mm ↑ 80 mm

Central heating: YES

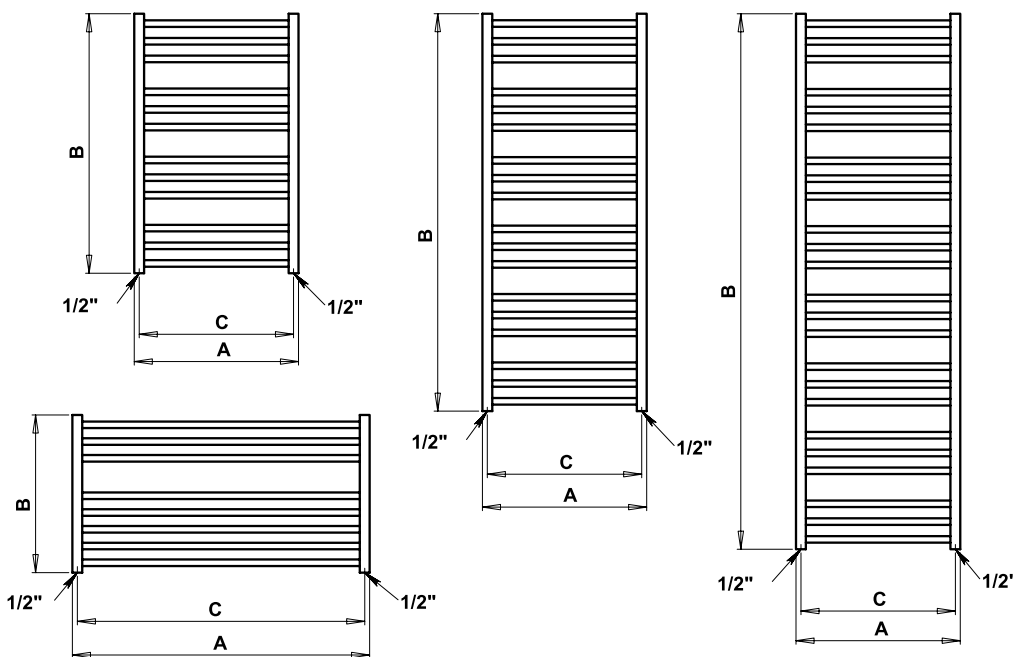
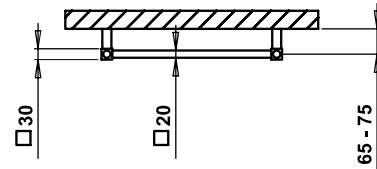
Combination heating: YES

Electric heating: YES

Connection options:



C/C



Width (A) x Height (B) [mm]	HO [W] Δt 20°C***		Weight [kg]	Volume [l]	Connection span (C) [mm]	Max.recommended electric heating element [W]
	75/65°C	55/45°C				
500 × 790	310	161	7,5	2,7	470	200
500 × 1210	468	243	11,1	4,0	470	300
500 × 1630	622	323	14,8	5,3	470	400

• L and XL versions are not recommended for use with electric heating element.