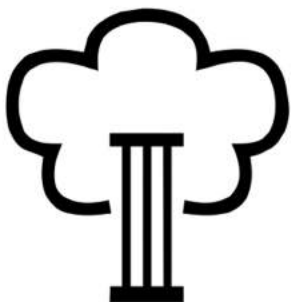
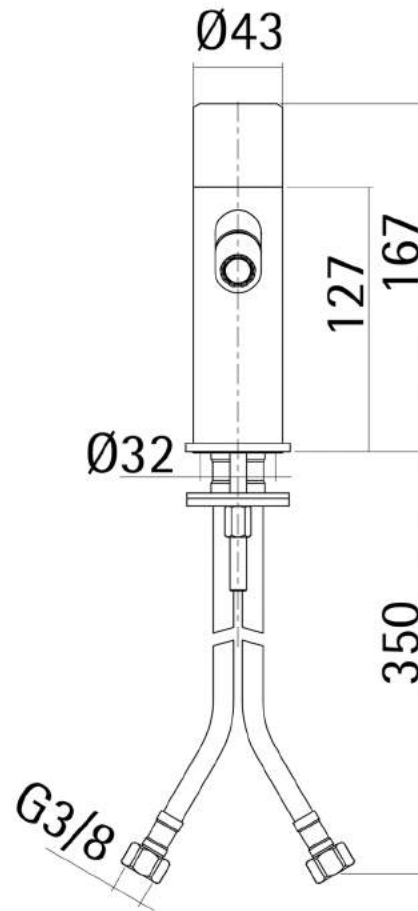
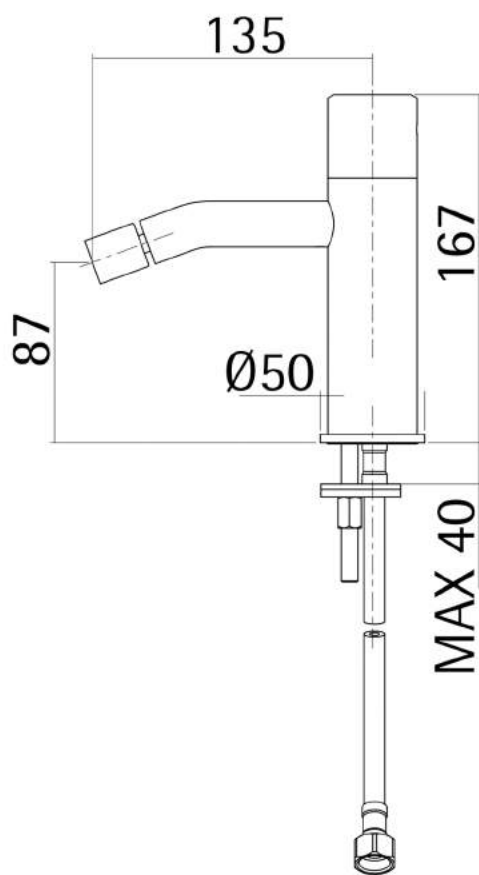


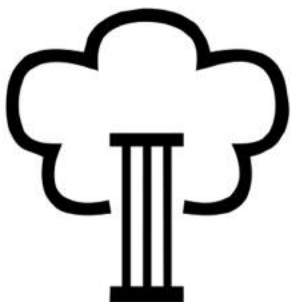
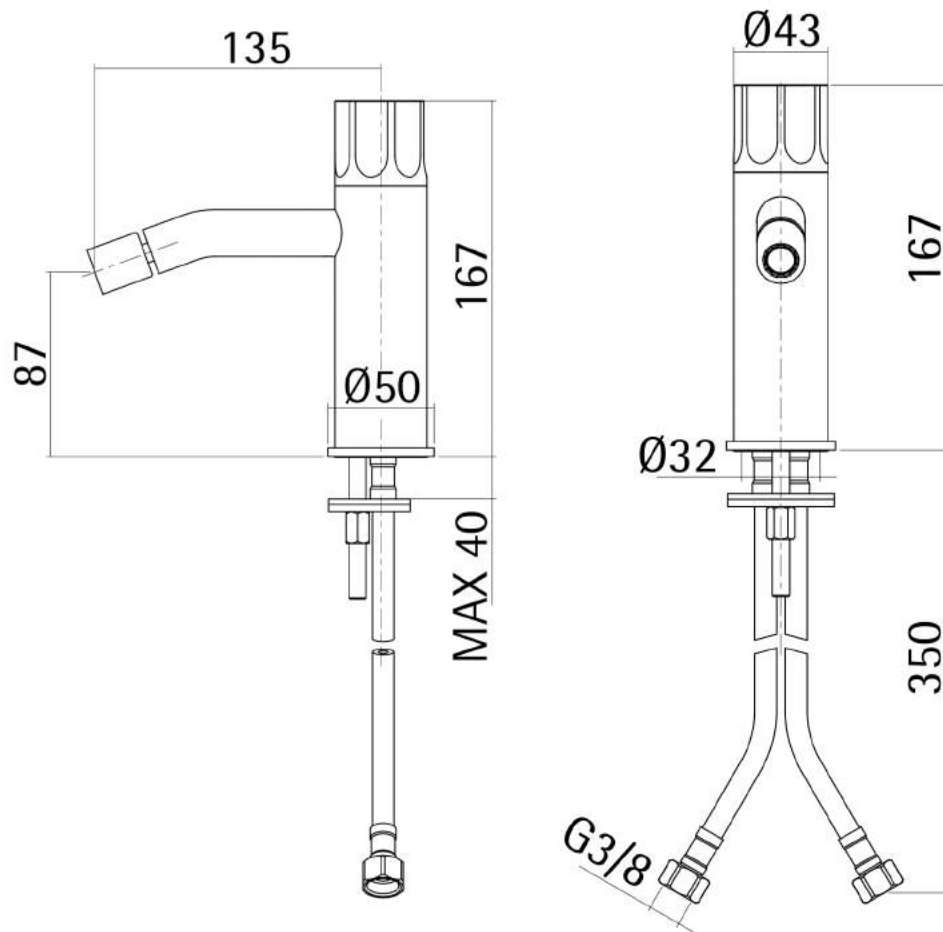
KAAN STAINLESS BIDET MIXER (28J)

STYLE: GIRO
MATERIAL: AISI316L



KAAN STAINLESS BIDET MIXER (28J)

STYLE: MANO
MATERIAL: AISI316L



KAAN STAINLESS BIDET MIXER (28J)

STYLE: DITO
MATERIAL: AISI316L

