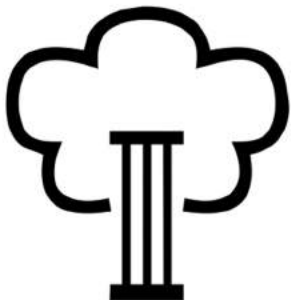
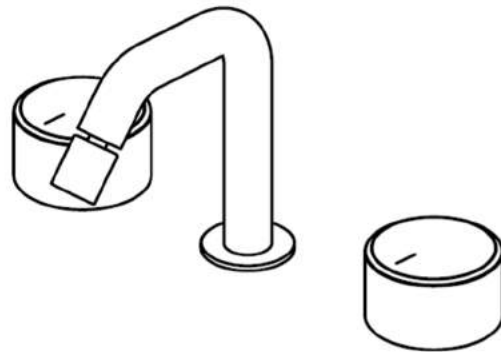
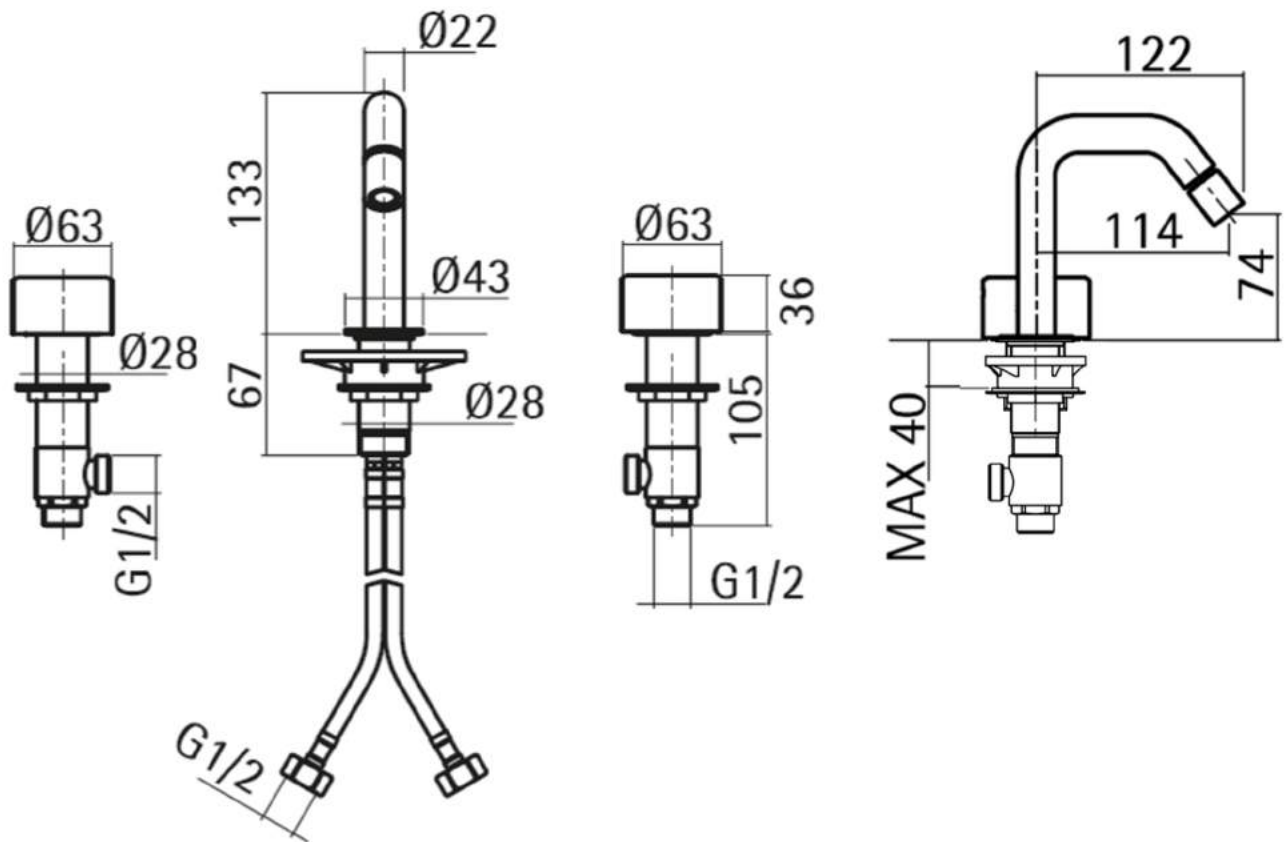


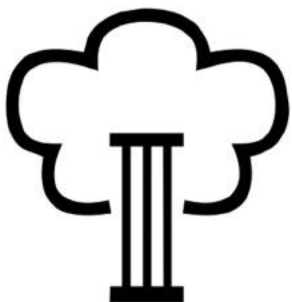
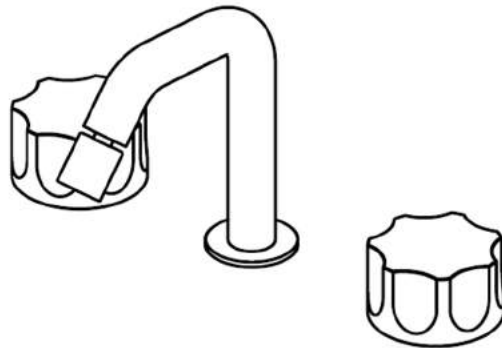
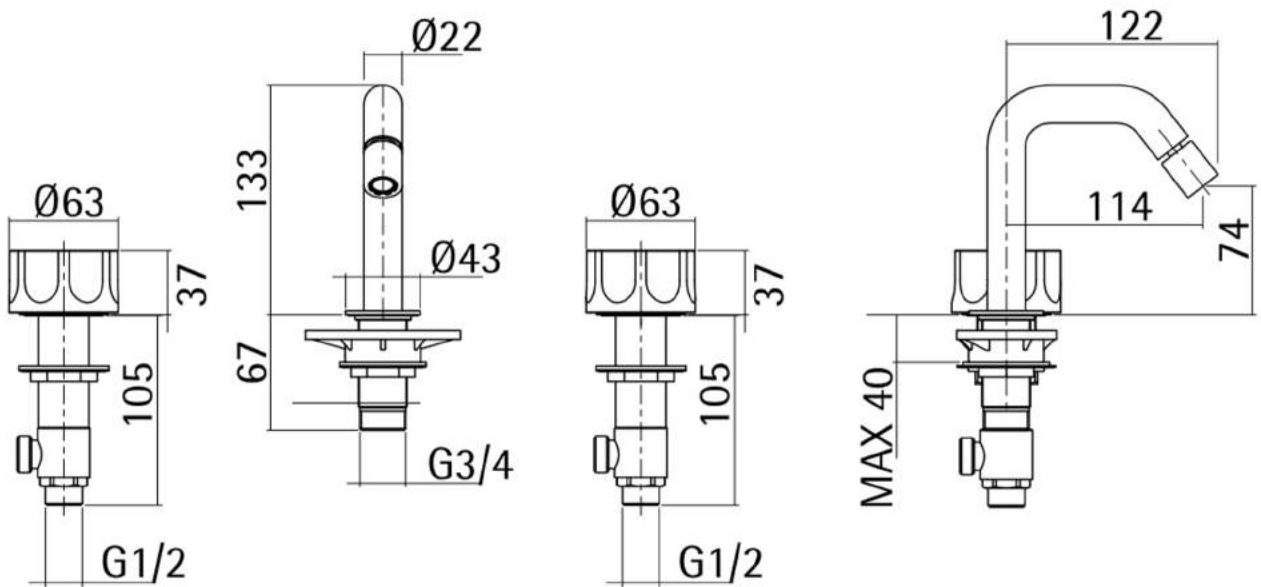
KAAN STAINLESS 3-PIECE BIDET TAP (28K)

STYLE: GIRO
MATERIAL: AISI316L



KAAN STAINLESS 3-PIECE BIDET TAP (28K)

STYLE: MANO
MATERIAL: AISI316L



KAAN STAINLESS 3-PIECE BIDET TAP (28K)

STYLE: DITO
MATERIAL: AISI316L

