

LOFT SQUARE CEILING MOUNTED
SHOWER HEAD



LIVINGHOUSE.CO.UK

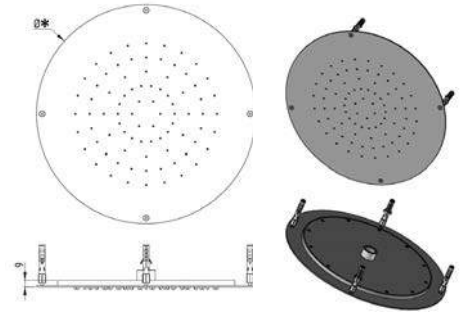
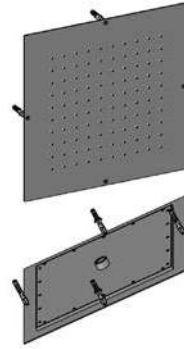
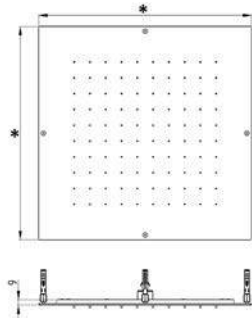
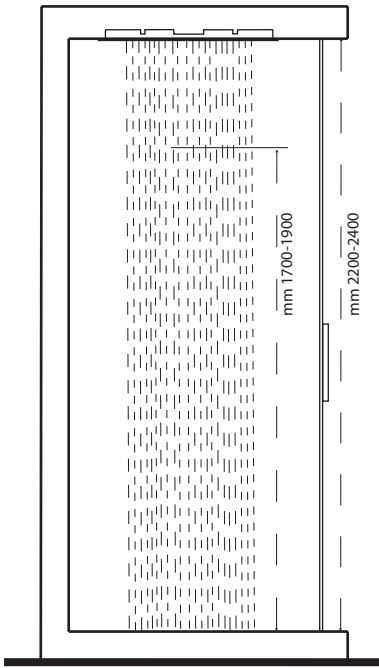
TEL: 01722 415000

EMAIL: SALES@LIVINGHOUSE.CO.UK

ASSEMBLY INSTRUCTIONS



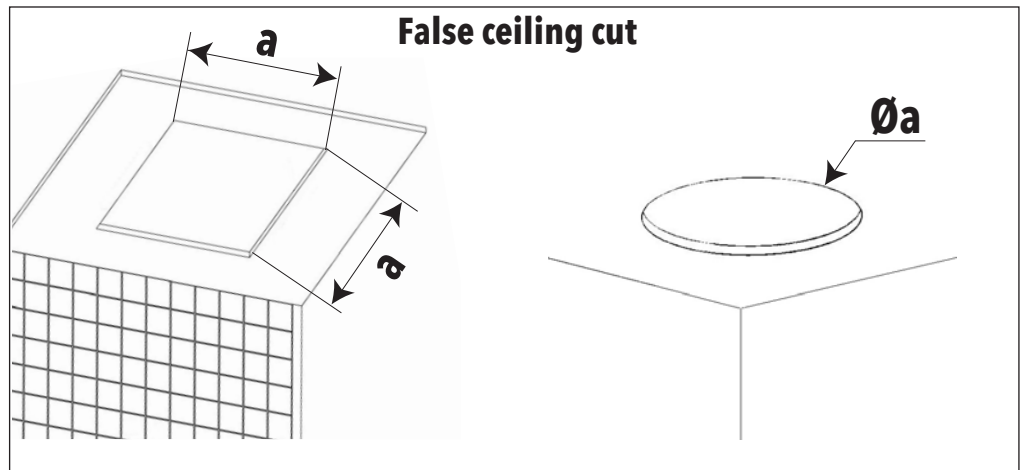
General dimensions



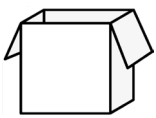
MAX 70°C
BEST 38/40°C



MIN 1 Bar
MAX 5 Bar
BEST 3 Bar



External product size (mm)	Min. hole to drill in the false ceiling(mm)	Min. hole to drill in the false ceiling(mm)
Ø210	Ø150	Ø160
Ø285	Ø225	Ø235
Ø310	Ø250	Ø260
Ø360	Ø300	Ø310
Ø460	Ø400	Ø410
260x260	200x200	210x210
360x360	300x300	310x310
460x460	400x400	410x410



1x



1x



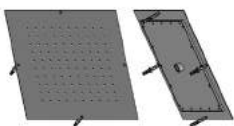
1x



1x



4x



1x

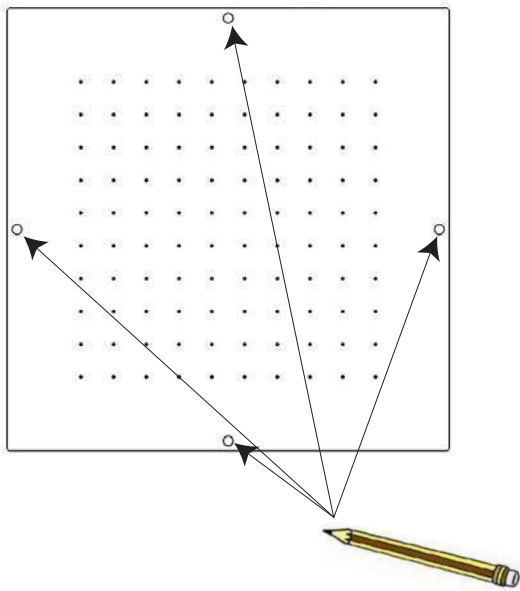


1x

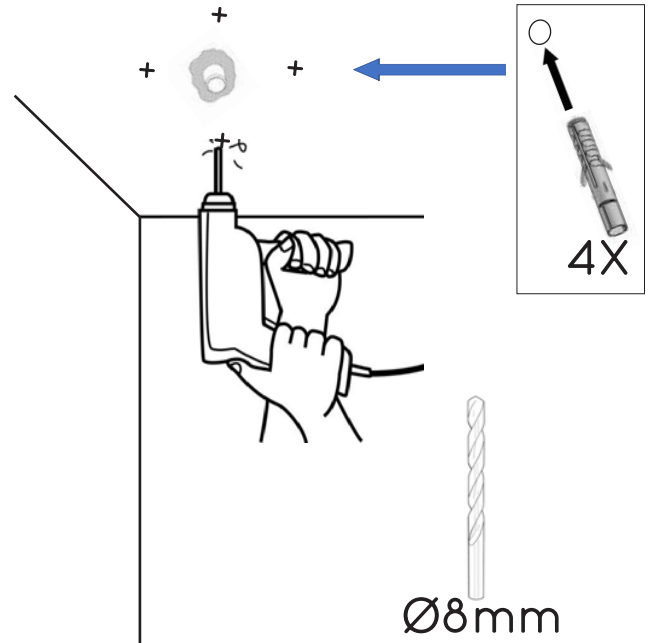


According to the law, all installation and maintenance operations require a qualified person.

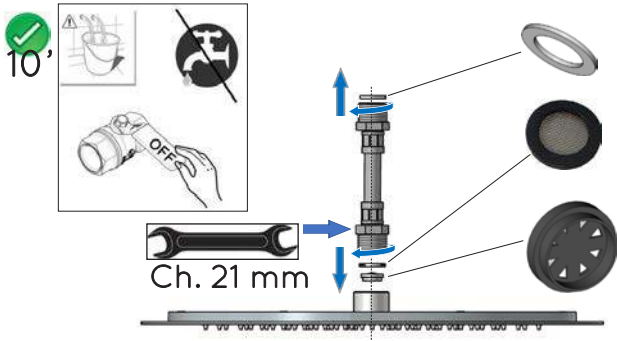
1



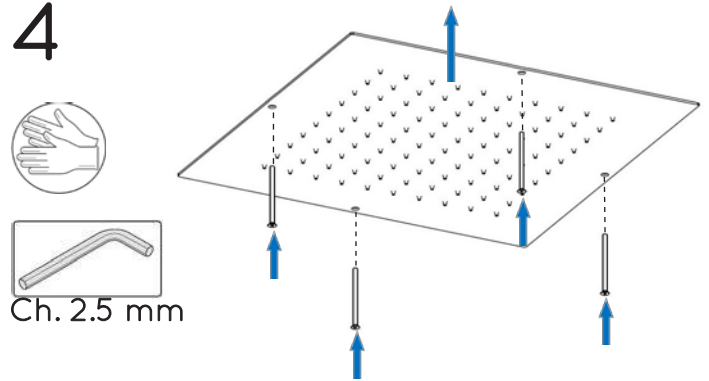
2



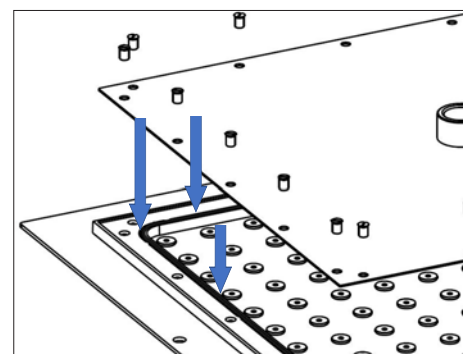
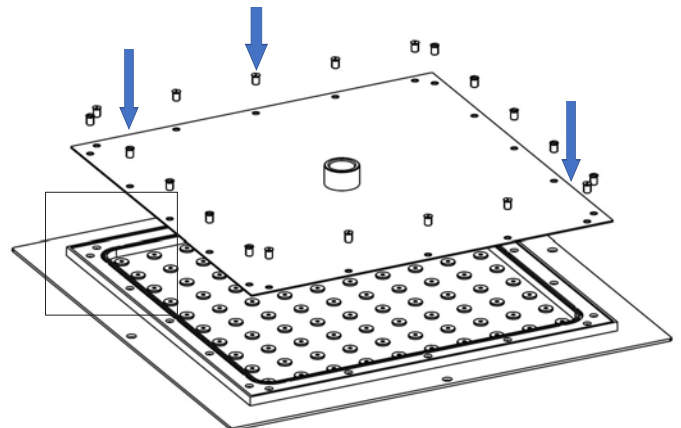
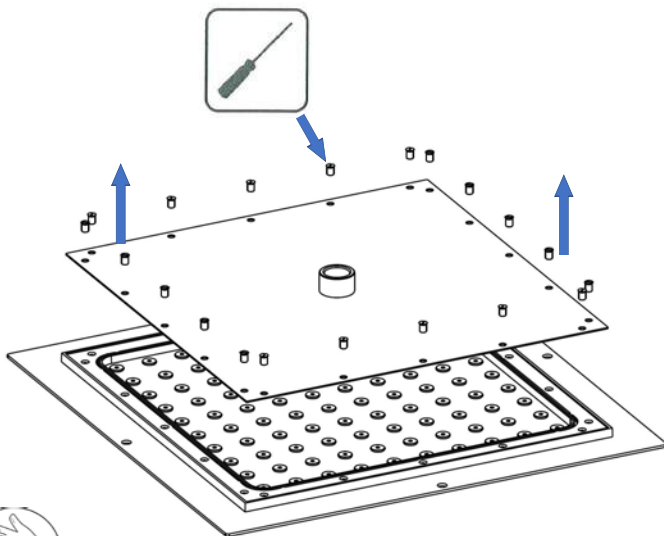
3



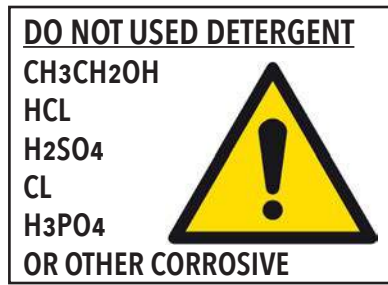
4



The shower head can be inspected for cleaning



Verify that the O-Ring is seated correctly.



NOT COVERED BY PRODUCT CARE

Not correct use.
Incorrect setup of the hydraulic system.
Water impurities or limeston.
Not suitable detergents.



TWO-YEAR PRODUCT CARE

Against defects or defects of fabrication.

WARNING: We decline all responsibility and eventual inaccuracy contained in the instructions due to transcript errors.



LIVINGHOUSE.CO.UK

TEL: 01722 415000

EMAIL: SALES@LIVINGHOUSE.CO.UK
