

# 3 WAY HI-FLOW SHOWER VALVE



LIVINGHOUSE.CO.UK

TEL: 01722 415000

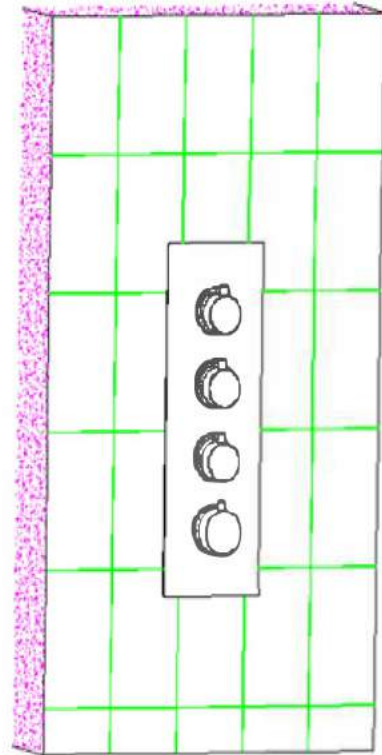
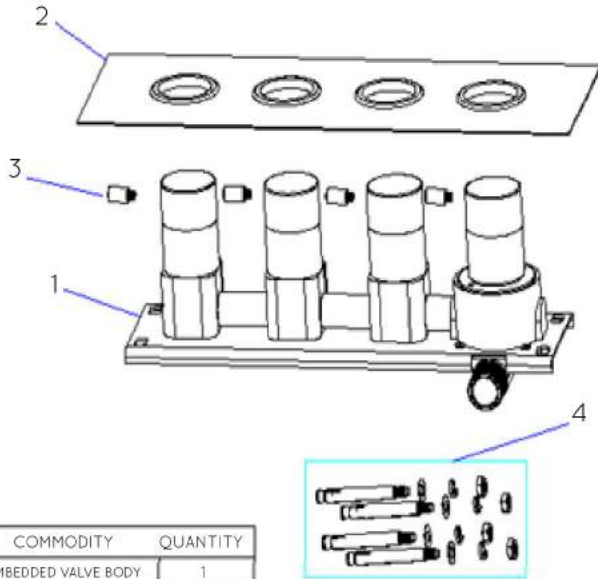
EMAIL: SALES@LIVINGHOUSE.CO.UK

---

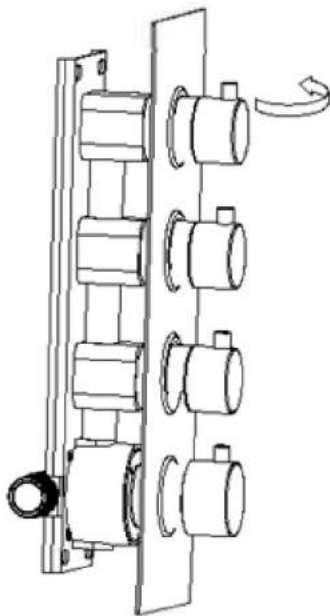
# INSTRUCTIONS

## PARTS LIST

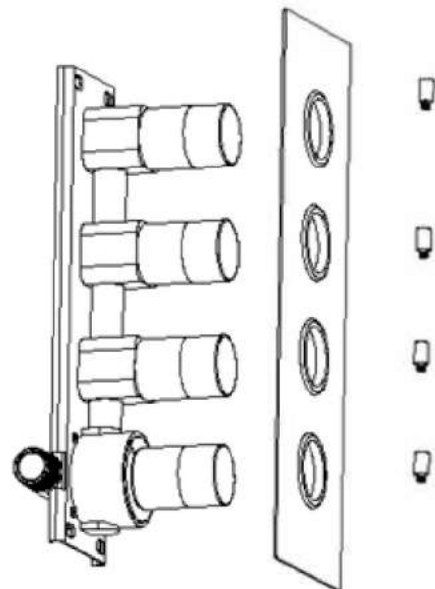
## ASSEMBLY



NUMBER	COMMODITY	QUANTITY
1	EMBEDDED VALVE BODY	1
2	DECORATIVE PANEL	1
3	HANDWHEEL ARMS	4
4	EXPANSION SCREWS	4



1. Release the handles by unscrewing spigot according to above directions.



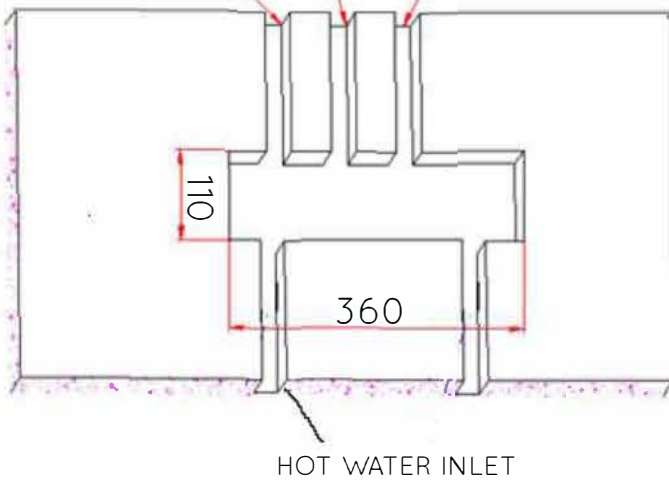
2. Remove front plate.

1

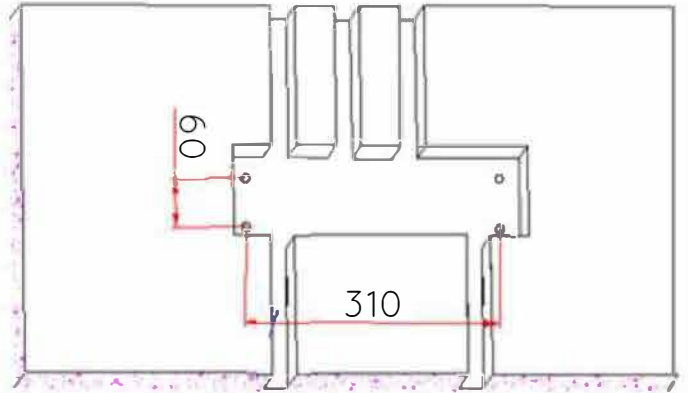
HAND SHOWER OUTLET

BODY JET OUTLET

WATER OUTLET



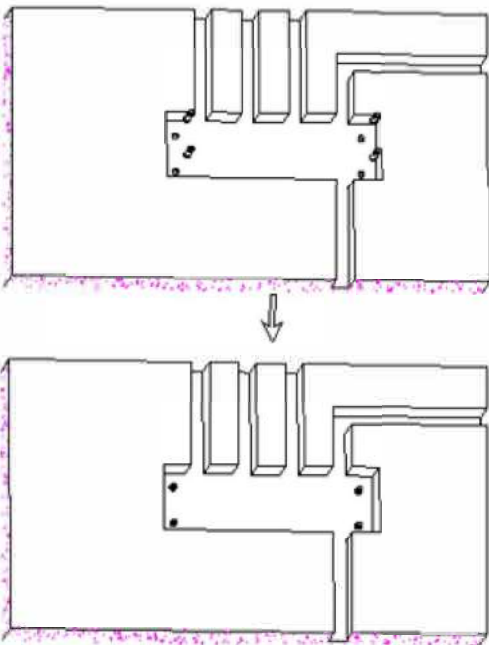
2



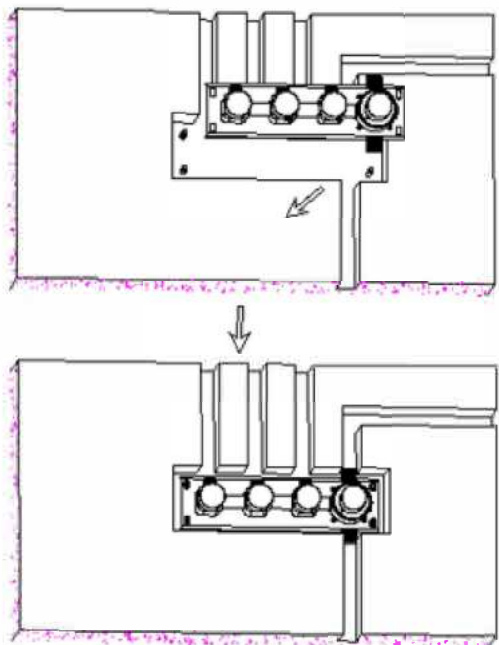
Prepare space in the wall according to above dimensions  
Valve depth adjustment 60-70mm.

Allow good fixing for the screws, to secure the valve within the wall.

3



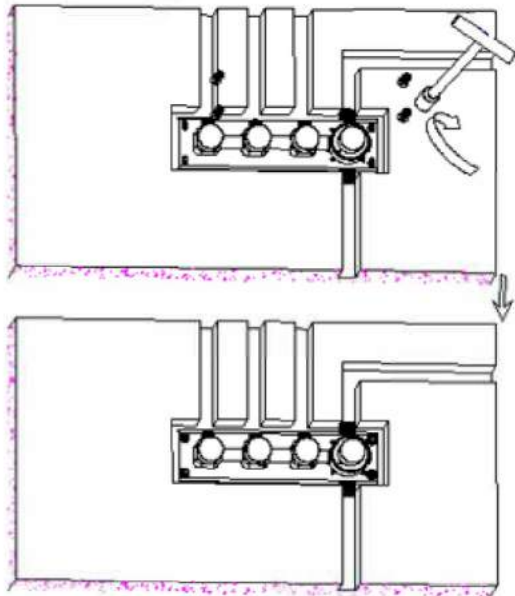
4



If masonry wall, insert rawl plugs.

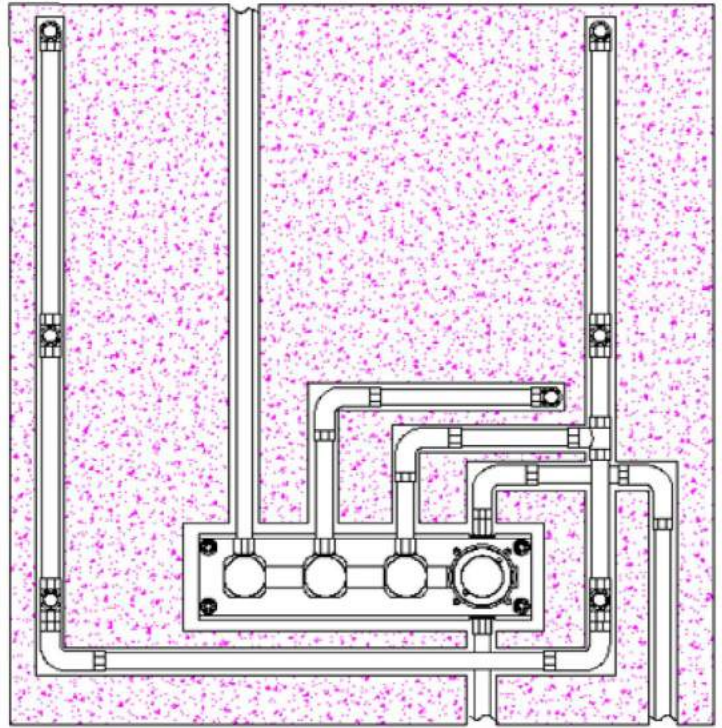
Insert body into the wall.

5



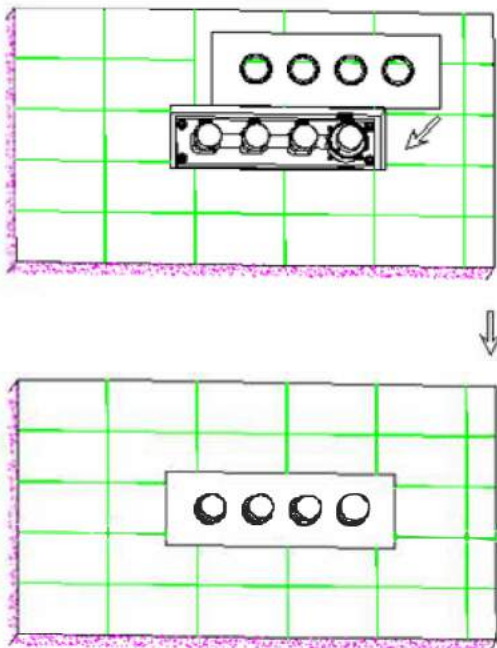
Screw the body into the wall. Flush out pipe, ensuring there's no debris or swarf.

6



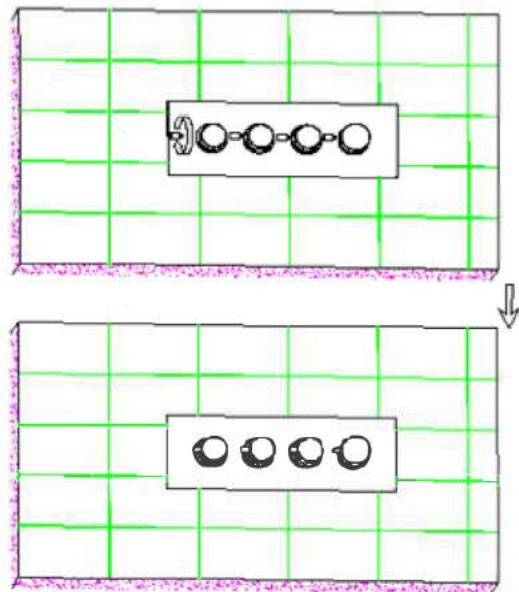
Connect all pipes, and test to ensure there are no leaks

7



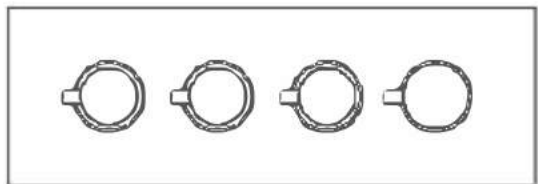
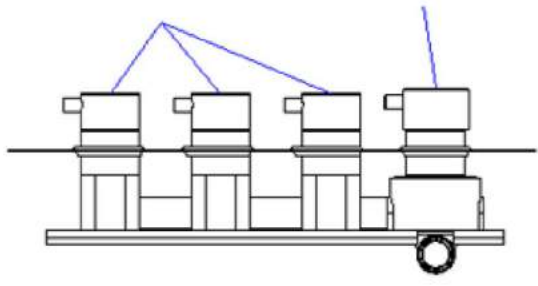
Fix the front plate onto the valve body, securing with silicon or waterproof double-sided tape.

8



Re-fit the handles onto the valve body and tighten the grub screws. Re-fit the spigots.

MIXING WATER OUTLET CONTROLLER      TEMPERATURE CONTROL



FLOW RATE ILLUSTRATION

