



The Oyster door in 10mm glass

Sizes and fitting tolerances

760 x 2000mm - tile to tile tolerance 731 - 741mm

800 x 2000mm - tile to tile tolerance 771 - 781mm

900 x 2000mm - tile to tile tolerance 871 - 881mm

1000 x 2000mm - tile to tile tolerance 971 - 981mm

Bespoke sizes available to special order

Other finishes available to special order

For more information please contact Livinghouse

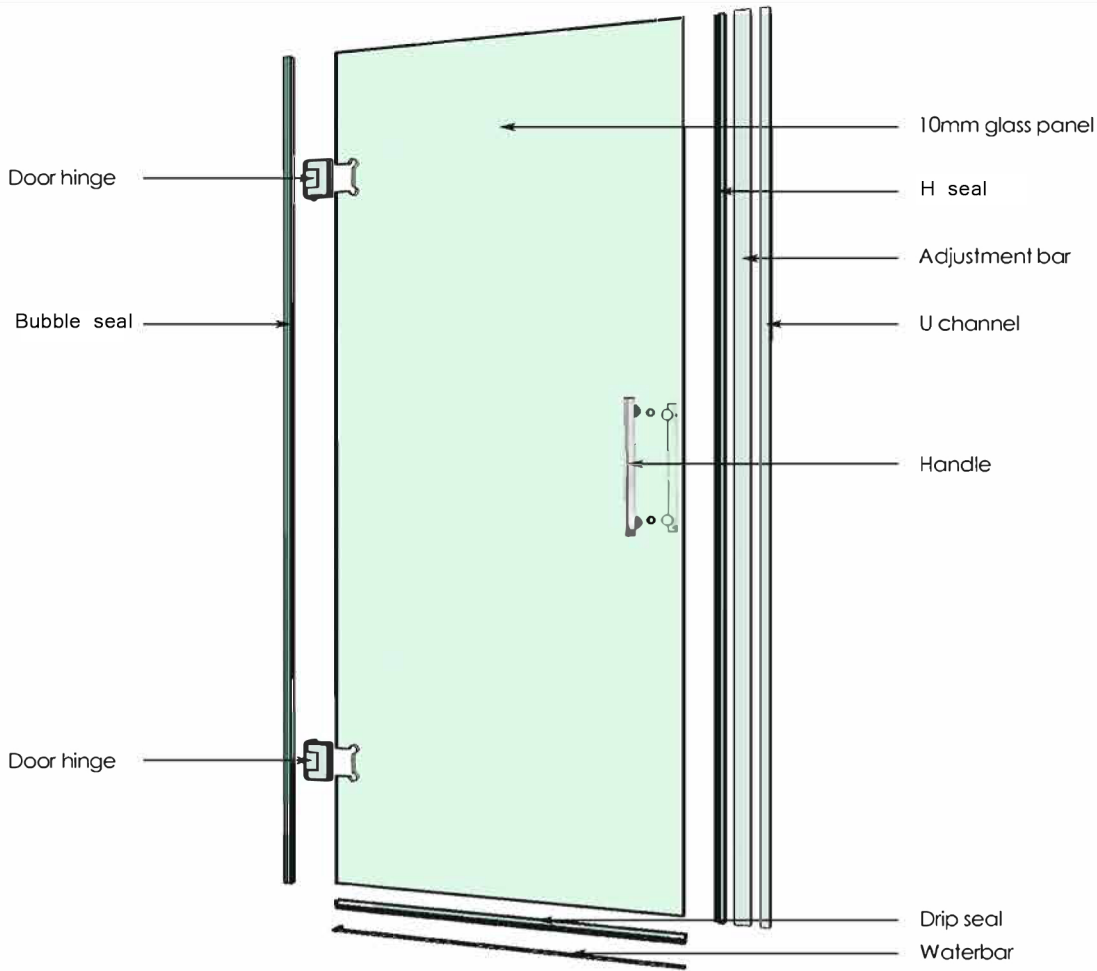
Email: sales@livinghouse.co.uk


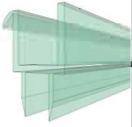

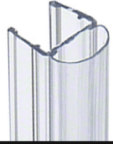


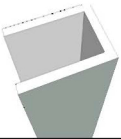


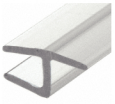
Tel: 01722 415000

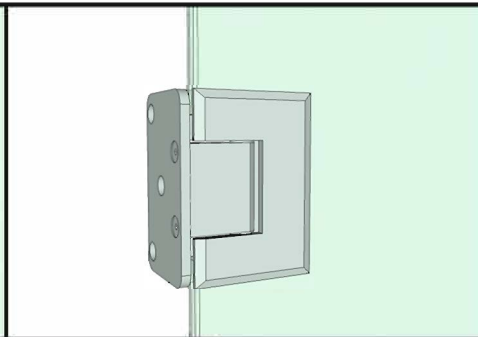
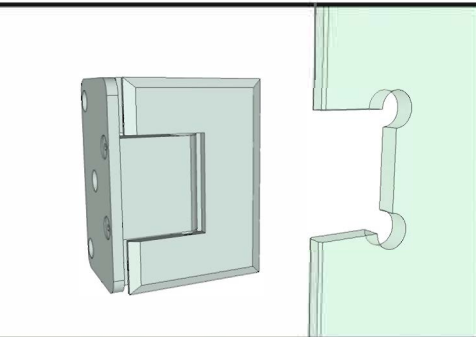
Fax: 01722 414816



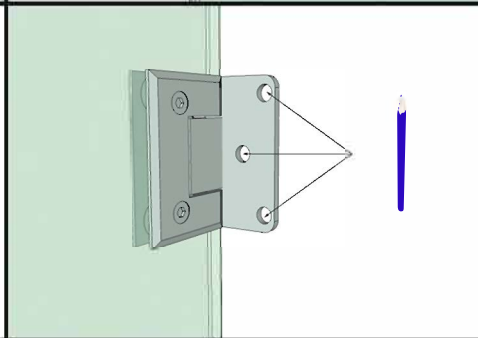
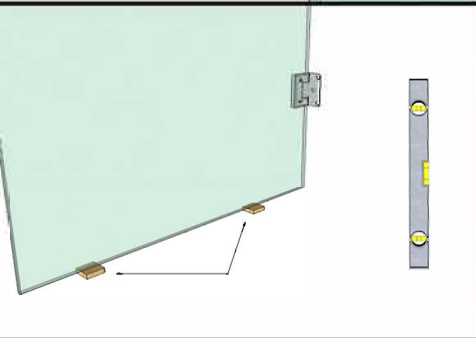
LIVINGHOUSE.CO.UK PACKING LIST



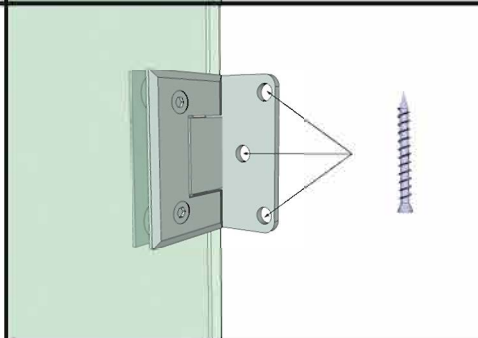
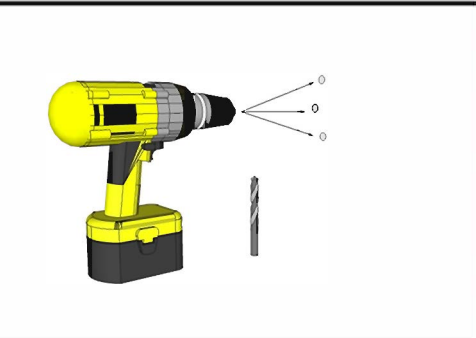
	10mm glass panel		Drip seal
	Glass to wall hinges		Bubble seal
	Door handle		Water bar
	U channel		For Steam Oyster Doors an extra bubble seal is supplied for the top of the door
	Adjustment bar		
	H seal		



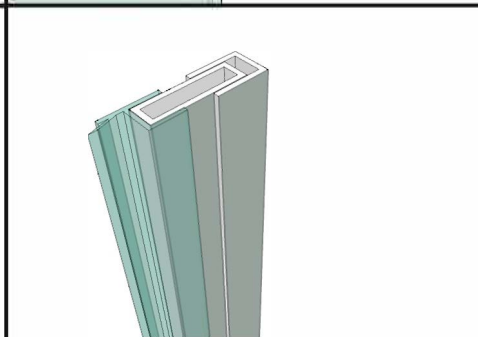
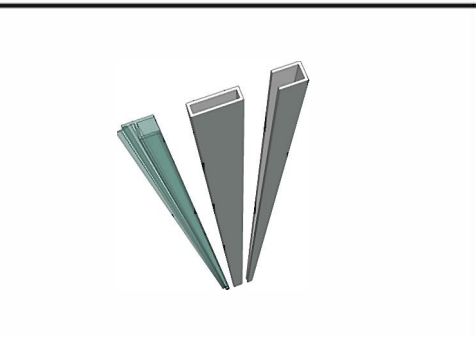
step 1
Fit supplied hinges to the glass panel.
2 or 3 hinges may be required depending on the width of the panel.
Ensure hinges are tightened sufficiently



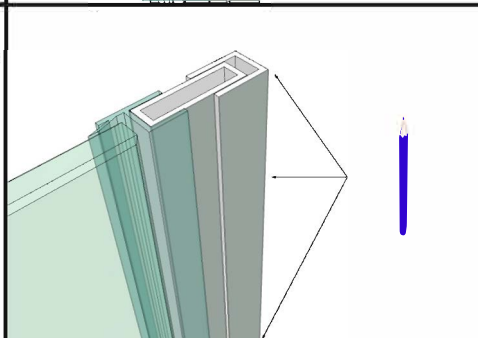
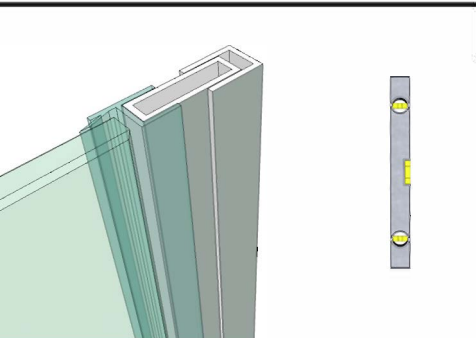
step 2
Raise panel by approx 15mm from floor level and support with blocks under the door (blocks not supplied)
Position panel against wall with hinges in closed position and use level to ensure the panel is vertical.
Mark all screw hole positions on the wall.



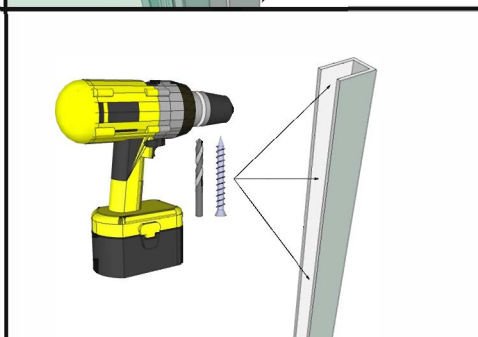
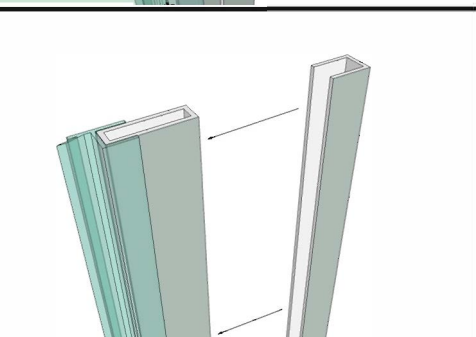
step 3
Remove panel and install suitable wall fixings to the marked screw holes (wall fixings not supplied).
It maybe advised to only drill 1-2 holes before final fixing to ensure door has been installed correctly.
Secure the panel and hinges to the installed wall fixings.



step 4
Assemble U channel, adjustment bar and H seal to produce the wall profile.
The U channel and adjustment bar are supplied longer than required and will need to be cut to the required height.



step 5
Position the wall profile against the wall with the H seal tight against the door in its closed position.
Make sure sufficient pressure is applied to the door and hinges to ensure a watertight seal.
Use a level to ensure the wall profile is vertical.
Mark the position of the wall profile on the wall.

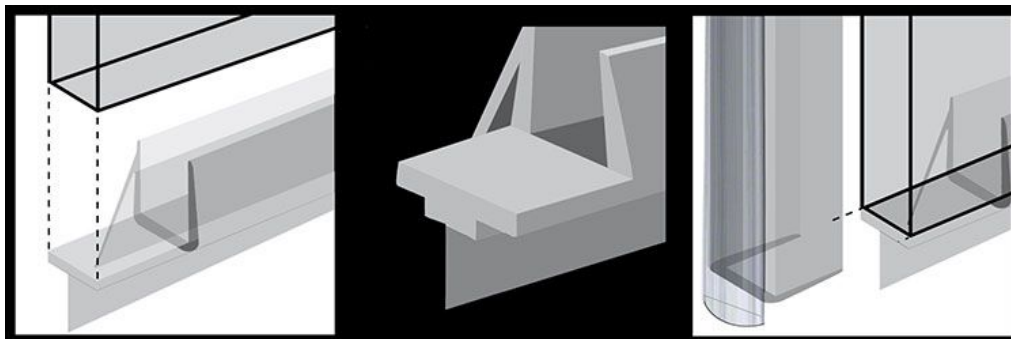


step 6
Remove the adjustment bar and H seal from the wall profile.
Secure the U channel using silicone between the wall and channel and countersink screws at no more than 300mm centres using suitable fixings.



		<p>step 7 Silicone the adjustment bar and seal into the U channel at the required position. Screws can also be used through the U channel into the adjustment bar to ensure a suitable fixing position. (silicone and screws not supplied)</p>
		<p>step 8 Once the door and profile have been installed correctly ensure that the final hinge fixings have been fitted. Fix the handle to the door. Fit the bubble seal to the hinge side of the panel. The bubble seal is supplied as one long length and will need to be cut to suit to fit between the hinges.</p>
		<p>step 9 Fit the drip seal to the bottom of the door. The drip seal is supplied longer than required and will need cutting to length. Silicone the water bar to the floor ensuring that it is on the outside edge of the shower glass. The water bar is supplied longer than required and can be cut from either end to suit.</p>

Suggested seal fitment for the corner.



Please note:

The oyster door maybe supplied with 2 or 3 hinges and hinge cut-outs depending on the width of the panel.

It is important that the wall profile is fitted so that when the door is in its self centred closed position, sufficient pressure is applied to the door and hinges that they form a watertight seal.

Due to the amount of various wall constructions and screw fixings available, no screws or screw fixings are supplied with this panel.

Width adjustment for the Oyster door can be made via the hinges, profile seal or the adjustment bar within the wall profile or a combination of all 3 options.

Use a good quality clear silicone for the securing of the U channel to the wall and the waterbar to the floor. Silicone is not supplied.

If using screws to secure adjustment bar into the U channel, secure from the inside of the enclosure.

The water bar should be used in order to form a watertight seal under the door. The bar can be cut from either end to suit.

Oyster fitting instructions and tolerances are assuming walls are vertical and floors are horizontal.



Handy videos

Adjustment of hinges if required.

Scan the QR code for video instructions on hinge installation and adjustment.



Door Handle

Scan the QR code for video instructions on handle installation.

