



# CONTEMPORARY BATH SHOWER SCREEN IN 10MM GLASS (64B)



## ***Size Options available***

W600 x H1500MM

W700 x H1500MM

W800 x H1500MM

W900 x H1500MM

Bespoke sizes available to special order

Special finishes available to special order

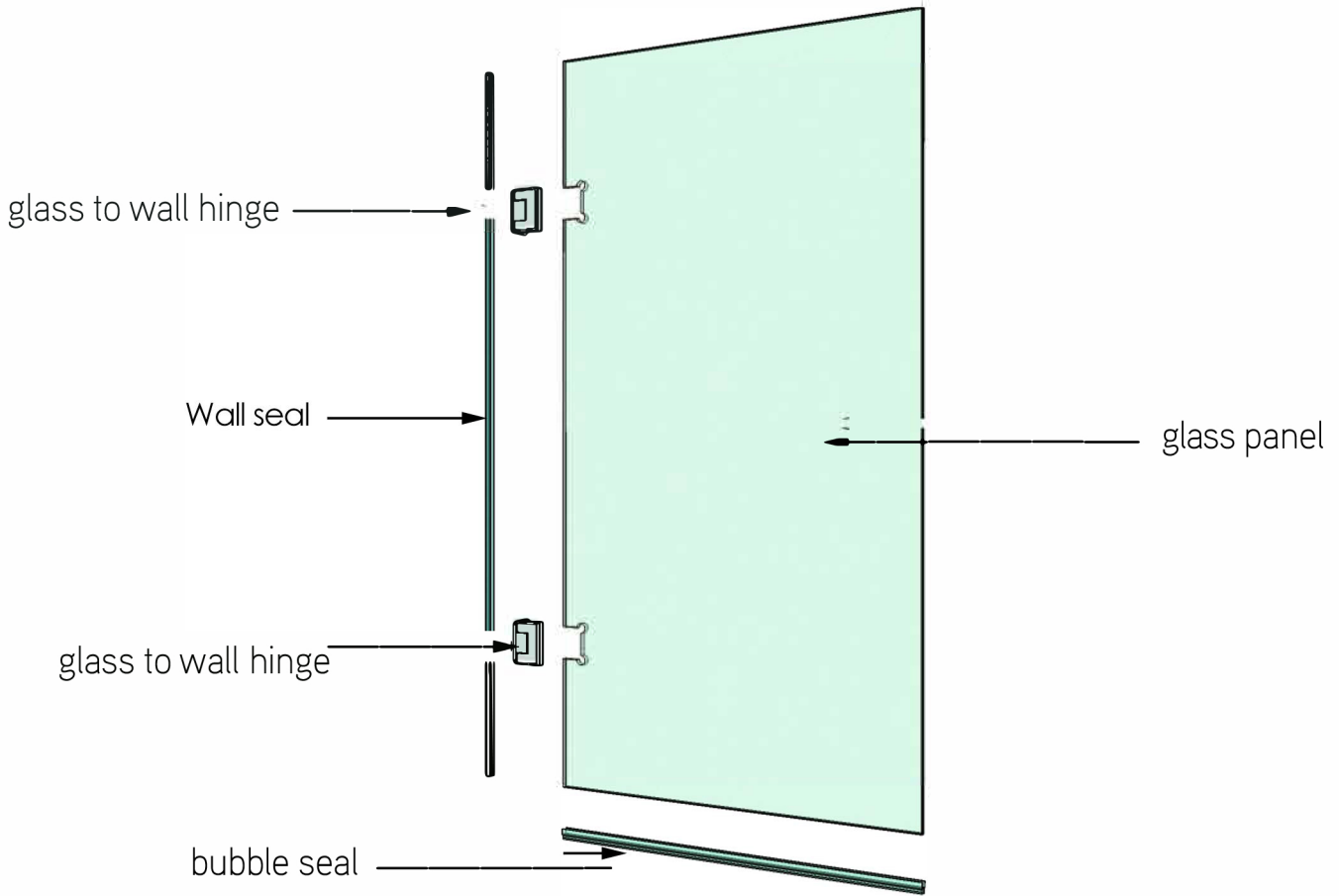
LIVINGHOUSE.CO.UK




TEL: 01722 415000

EMAIL: SALES@LIVINGHOUSE.CO.UK

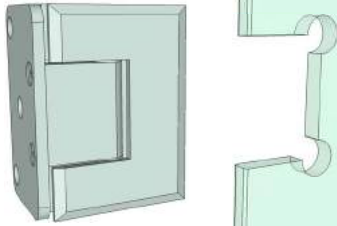
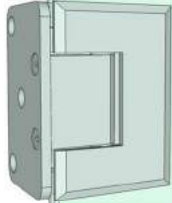
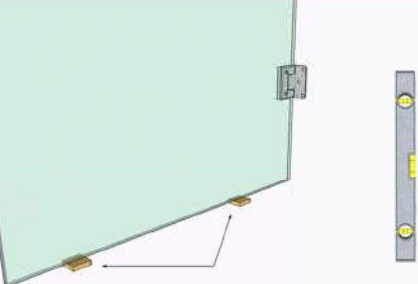
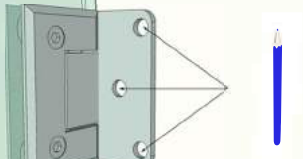
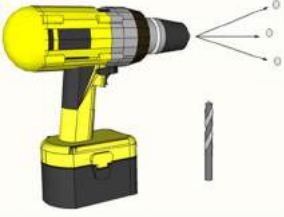
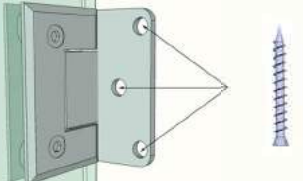
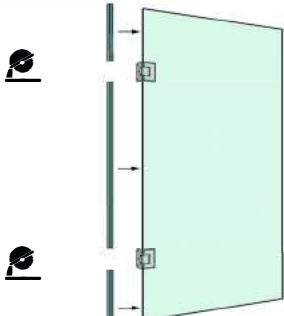
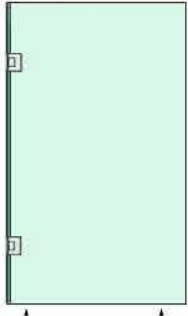
---

# PACKING LIST

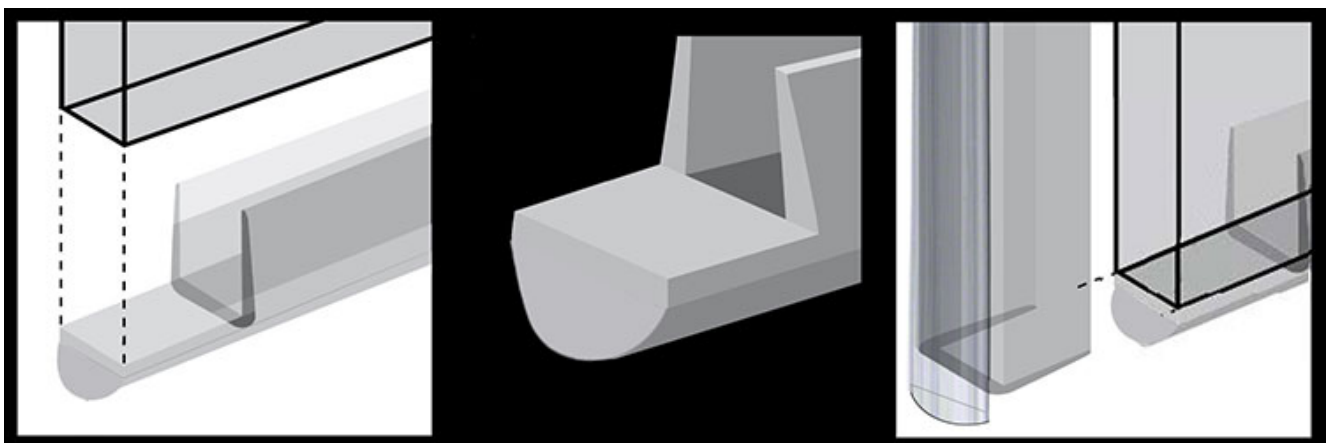


	10mm glass panel		
	Glass to wall hinges		
	Bubble seal		SUPPLIED UNCUT (2 PIECE)

# FITTING INSTRUCTIONS

		<p><b>step 1</b> Fit supplied hinges to the glass panel. Ensure hinges are tightened sufficiently</p>
		<p><b>step 2</b> Raise panel by approx 5mm from base and support with blocks under the panel. (blocks not supplied) Position panel against wall with hinges in closed position and use level to ensure the panel is vertical. Mark all screw hole positions on the wall.</p>
		<p><b>step 3</b> Remove panel and install suitable wall fixings to the marked screw holes (wall fixings not supplied). It maybe advised to only drill 1-2 holes before final fixing to ensure panel has been installed correctly. Secure the panel and hinges to the installed wall fixings.</p>
		<p><b>step 4</b> Fit supplied seals to the screen. please note that seals are supplied longer than required and will need cutting to length. The wall side seals will need cutting to length and fitting close to the hinge.</p>

Suggested seal fitment for the corner..





## Handy videos

---

Adjustment of hinges if required.

Scan the QR code for video instructions on hinge installation and adjustment.

