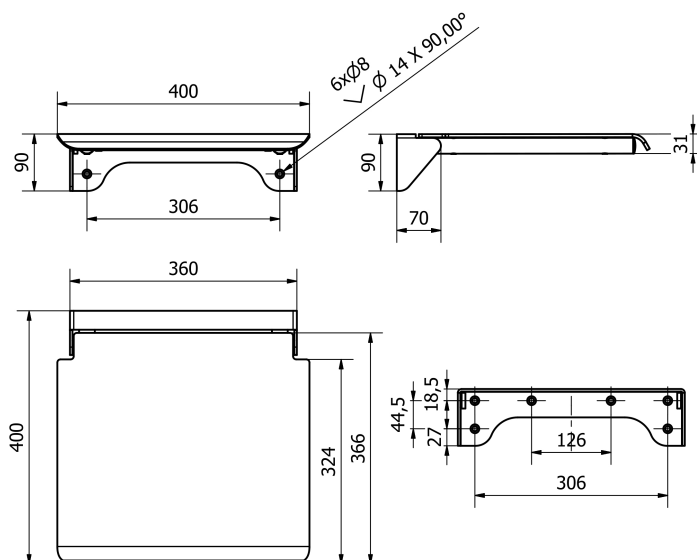
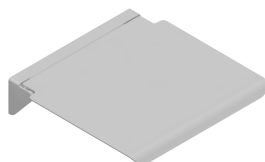


PRODUCT TECHNICAL SHEET

TECHNICAL DRAWING



PHOTO



PRODUCT FAMILY: SEATS FOR SHOWER AND BATHTUB

DESCRIPTION: Folding shower seat wall mounted made of stainless steel and aluminium

MECHANICAL PERFORMANCES:

Load capacity 150 kg

APPROVALS/CERTIFICATIONS:

TUV system certification UNI EN ISO 9001
 EC declaration of conformity to the European Regulation for Medical Devices 745/2017.
 Reference standards: UNI EN 12182

PRODUCT FEATURES:

Seat with support and frame made of stainless steel and aluminium seat. Powder coated, mat white. Caps in ABS satin chrome color. Wall bracket in stainless steel bended and welded , diameter of the tube of the frame 25x1,5 e 14x 1,5 mm. Seat made of aluminium sheet thickness 3 mm

FIXING/INSTALLATION:

MAINTENANCE:

Check periodically the correct fixation of the accessories. Make a proper cleaning with water and soap, do not use abrasive or corrosive products.

PRODUCT COMPOSITION:

N° 1 Tray in aluminium painted RAL9016 N°N° 1 Support in stainless steel painted RAL9016N° 2 Caps ABS satin chrome.

MATERIALS:

TREATEMENTS:

TOLERANCES:

0+300±3 301+600±4 601+2000±5

PACKAGING OF THE PRODUCT:

Single package in a single carton box and pluriball 445 x 120 x 530 mm..
 Weight: 4,6 kg

The above mentioned information cannot be considered as binding. we reserve the right to make technical and aesthetic changes without any prior notice.

ST_PRODOTTO: ELSDBC	- 1	APPROVATO
		R.T.
REV.03 del 10/02/2022		

