

Tall Mirror Bathroom Cabinet (62L)

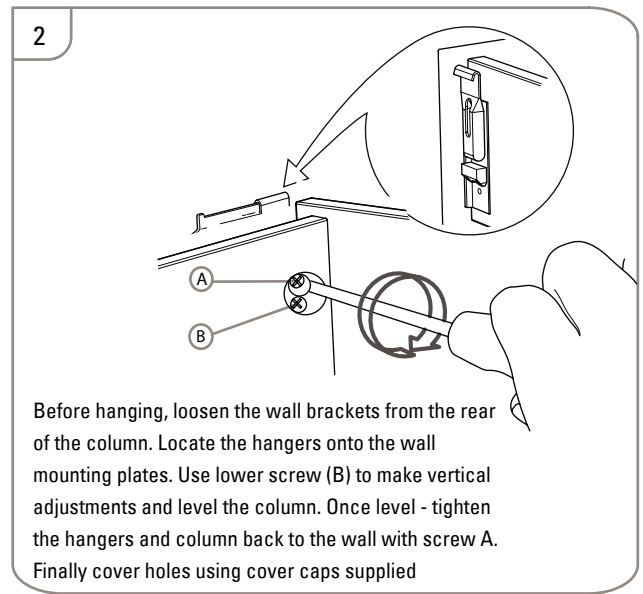
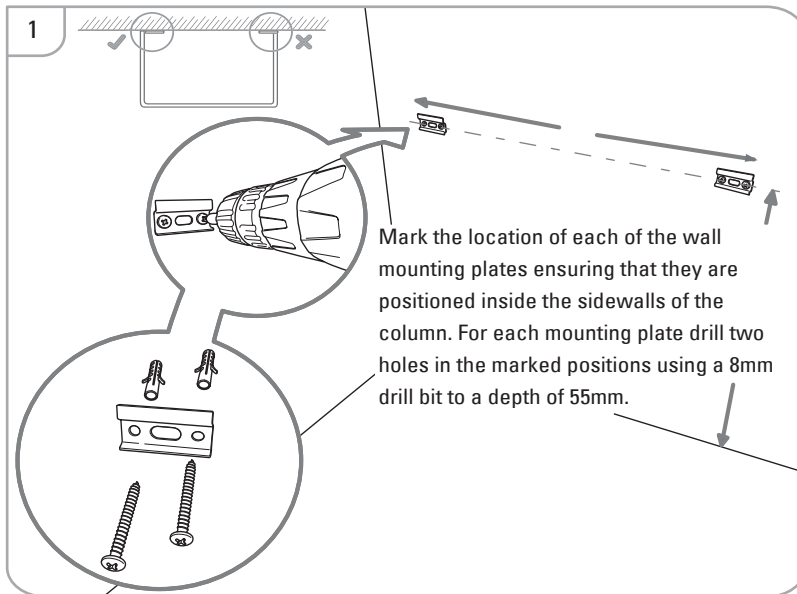
Installation & aftercare instructions Please retain for future reference

Installation Procedure:

Wallmounting the unit

It is recommended that the unit is secured to a suitably reinforced wall to ensure stability. The wall plugs supplied are only suitable for solid stone/brick walls. For plasterboard walls use specialist wall plugs along with supplementary wall strengthening as units can be very heavy. Seek advice from a specialist about the suitability of fixings to be used.

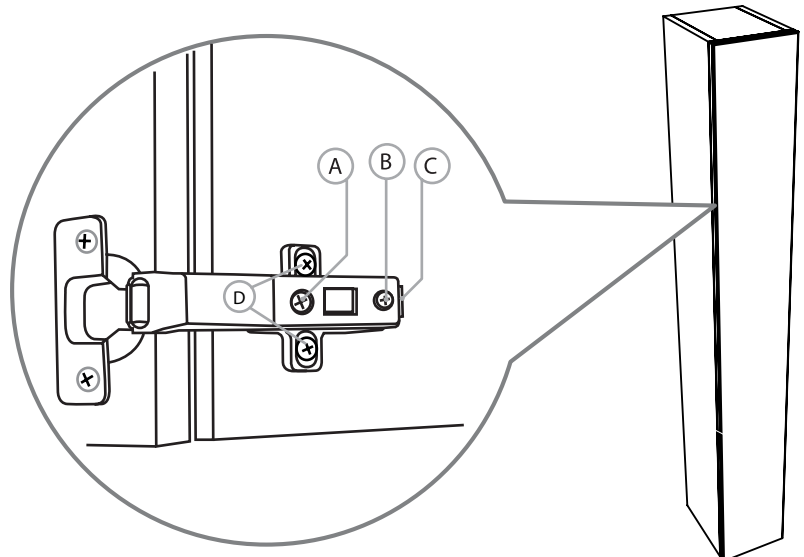
Wear suitable eye protection when drilling. Take care when using power tools near water - the use of a residual current device (RCD) is recommended. Beware of hidden pipes or cables. Take care when drilling tiled surfaces as the drill might slip. Use a piece of masking tape to prevent the drill from wandering.



Note: - There are two sets of hangers on the back of the column. This allows the column to be hung so that the door opens in the desired direction.

Door Adjustment

- Screw A offers left/right adjustment for levelling up the door.
- Screw B offers forward/back adjustment.
- Button C is the quick release, press this on both hinges to remove a door by releasing the hinges from their mounting plates.
- The two D screws offer up/down adjustment. Unscrew, move into position and re-tighten.



Mirror door

Do not strike the glass with hard or pointed items

The nominal thickness of mirror glass used is 5mm. If mirror door are chipped or broken please contact Roper Rhodes using below details for replacement parts

Furniture aftercare instructions

As with all wooden furniture, this product should be treated with care.

We recommend...

- Wipe away any water splashes or condensation after use. Excessive exposure to water will deteriorate the furniture.
- All bathrooms should be well ventilated with a suitable extractor fan.
- Clean with a soft damp cloth only.
- Use a wax free polish if one must be used.
- For removal of lime scale deposits use a suitable proprietary cleaner. If necessary test on an inconspicuous area first.

Please DO NOT...

- Do not scrub or scour
- Do not use abrasive cleaning agents

Replacement Components

Should you require any replacement components for this product please contact Roper Rhodes using the contact details below.