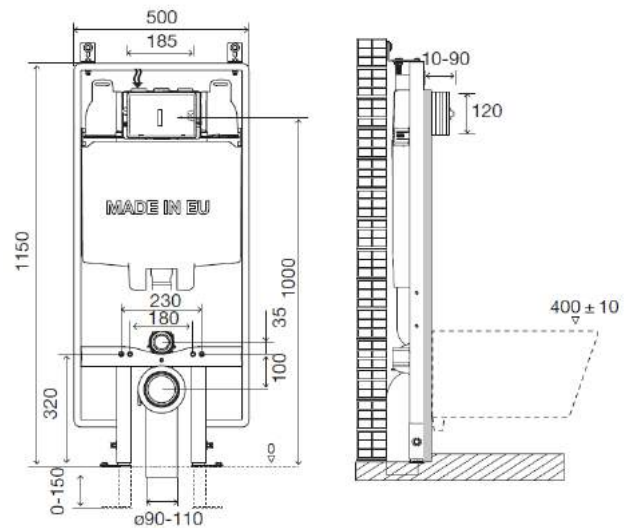




## Technical Sheet

SLIMLINE CONCEALED CISTERN FOR WALL HUNG WC'S



### Product Identification

52D

SLIMLINE CISTERN FOR WALL HUNG WC

### Definition and Application

- Pre-assembled structure for installation in front of masonry wall and finish in light wall, plasterboard wall and technical support rail for light wall
- Compatible with all wall-hung WC pans

### Technical Features

#### Structure

- In painted tubular corrosion resistant
- Height regulation of the adjustable floor brackets (0-150 mm);
- Depth adjustable outlet bend
- Tested for 400kg load

# Technical Sheet

## SLIMLINE CONCEALED CISTERN FOR WALL HUNG WC'S

### Cistern

- Dual flush in-wall cistern compatible with either dual or single flush actuators 6/3 litres
- Mechanic actuation / pneumatic actuation via adaption kit.
- Working pressure from 0,1 to 16 bar
- Resistance to atmospheric humidity (Hr <90%).
- Polypropylene (PP) cistern highly resistant and inalterable to thermal stress
- Other versions compliant with: WRAS /SAI-Watermark/UPC/KIWA standards
- EN 14055 marking CL1
- Equipped with 2 Azor Plus Inlet Valve, with delayed refilling (saves up to 9 litres of water per day) and silent according to the NF standard category Class I
- Supplied with anti-condensation lining
- "A" class for the Water Efficiency in compliance with the ANQIP Authority requirements

### Accessories

- 1 Discharge pipe  $\varnothing$  90 x 250
- 1 Seal for discharge pipe  $\varnothing$  125
- 1 Connecting pipe  $\varnothing$  45 x 180
- 1 Pan rubber seal  $\varnothing$  45
- 1 Protective box
- 1 G 1/2" stop valve
- 1 Protection sponge for the stop valve
- 1 Flush bend  $\varnothing$  90 / 90 L230 L350
- 1 Outlet bend and  $\varnothing$ 90/110 adaptor
- 1 Flush pipe  $\varnothing$  56 x 165
- 1 Protection pipe  $\varnothing$ 90
- 1 Protection pipe  $\varnothing$ 45

#### Fixing accessories for wall structure:

- 8 Galvanized screws M8x60
- 8 Galvanized washers M8 DIN 9021
- 4 Bushing for metal structure
- 4 Screws DIN933 M8 x 20
- 4 Washers DIN125 M8

#### Fixing accessories for hung wc mounting on the structure:

- 2 Threaded rods M12
- 2 Nuts M12
- 2 Protection for threaded rod
- 2 Protection cover
- 2 Toilet centring washer
- 2 Washers Zn  $\varnothing$  34

## Warranty

- Ten (10) years warranty against manufacturing defects according to the general selling terms.  
Starting from the purchase date of the product (excludes perishable parts).
- If the product is not correctly installed the warranty is not valid