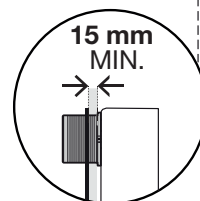
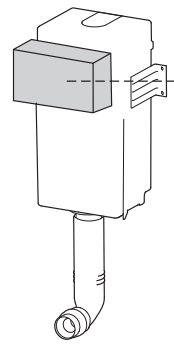
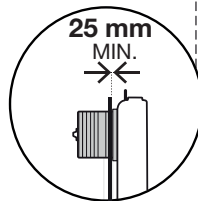
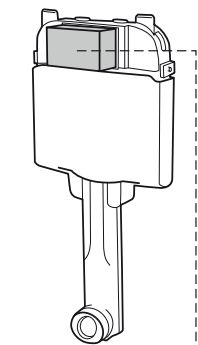
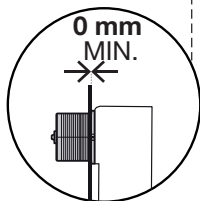
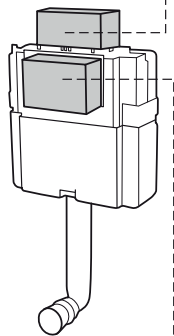
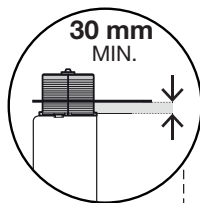
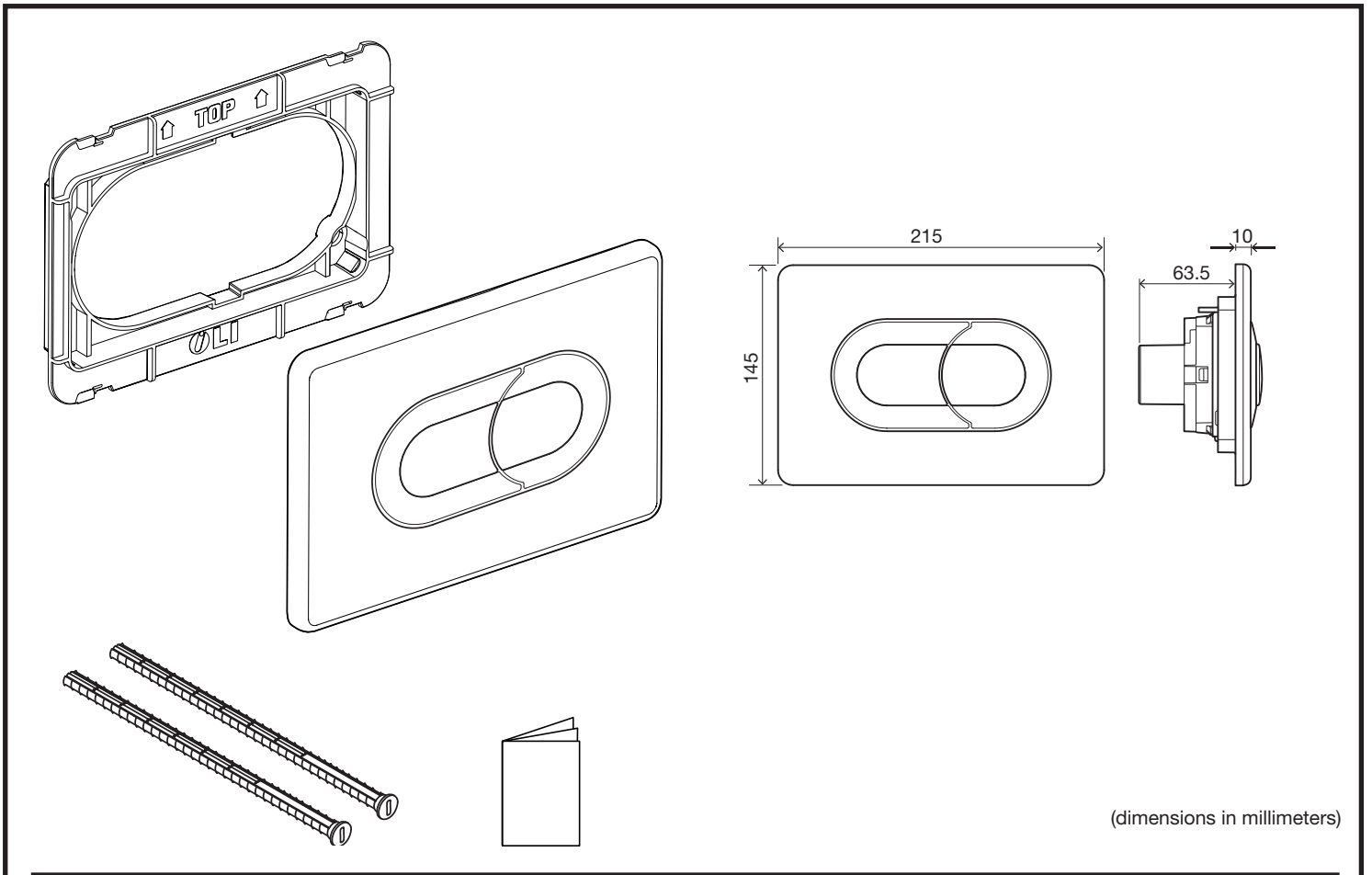
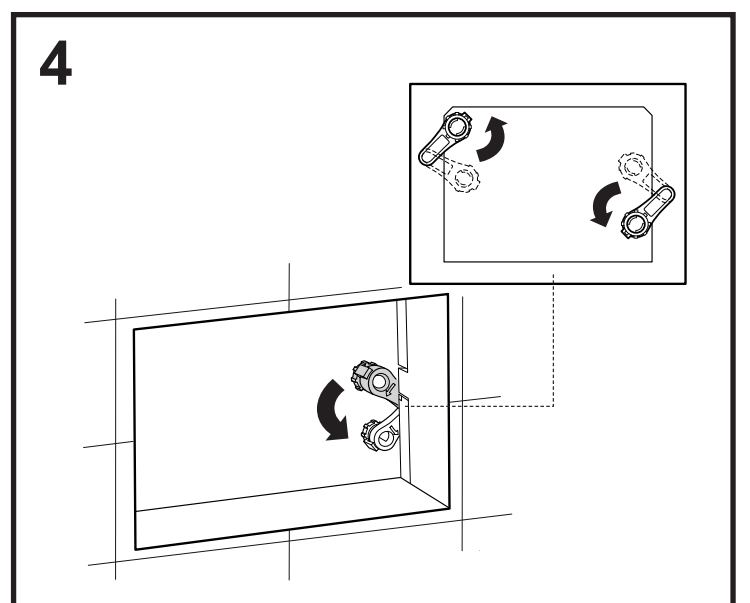
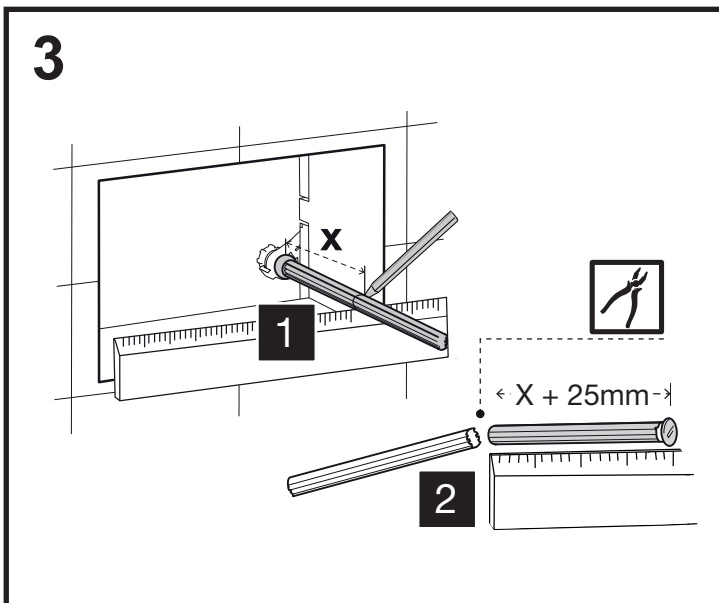
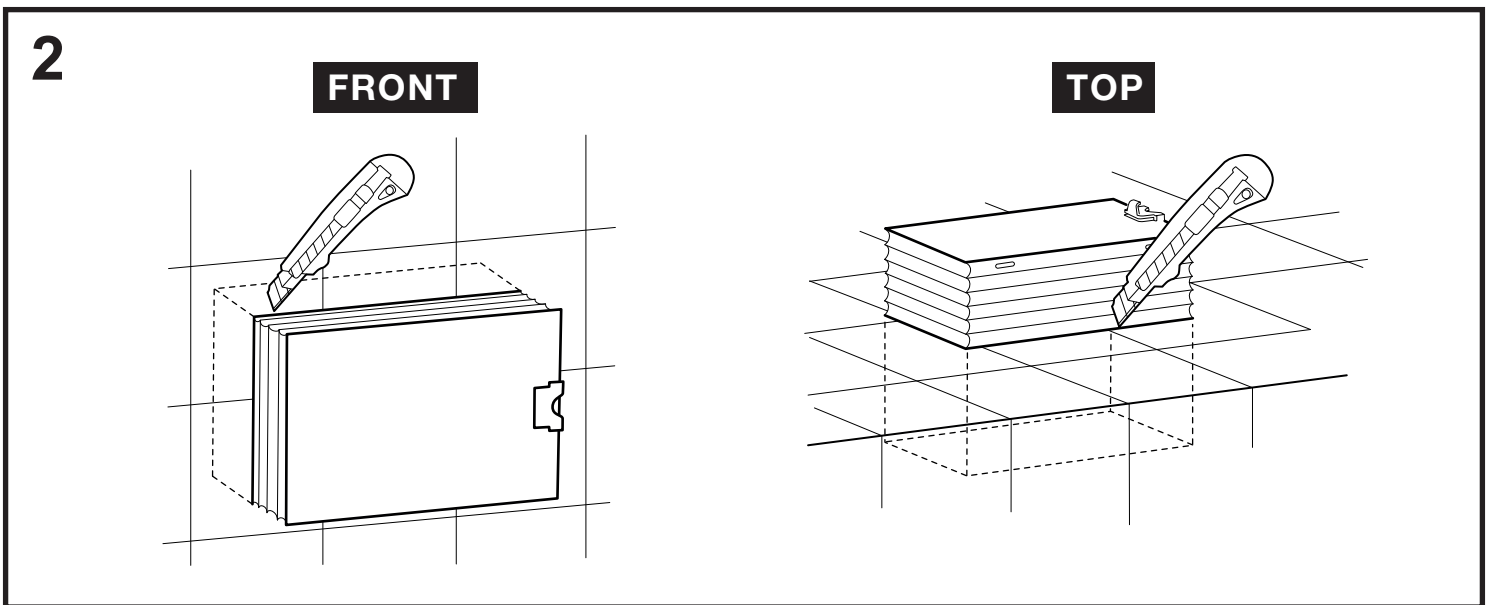
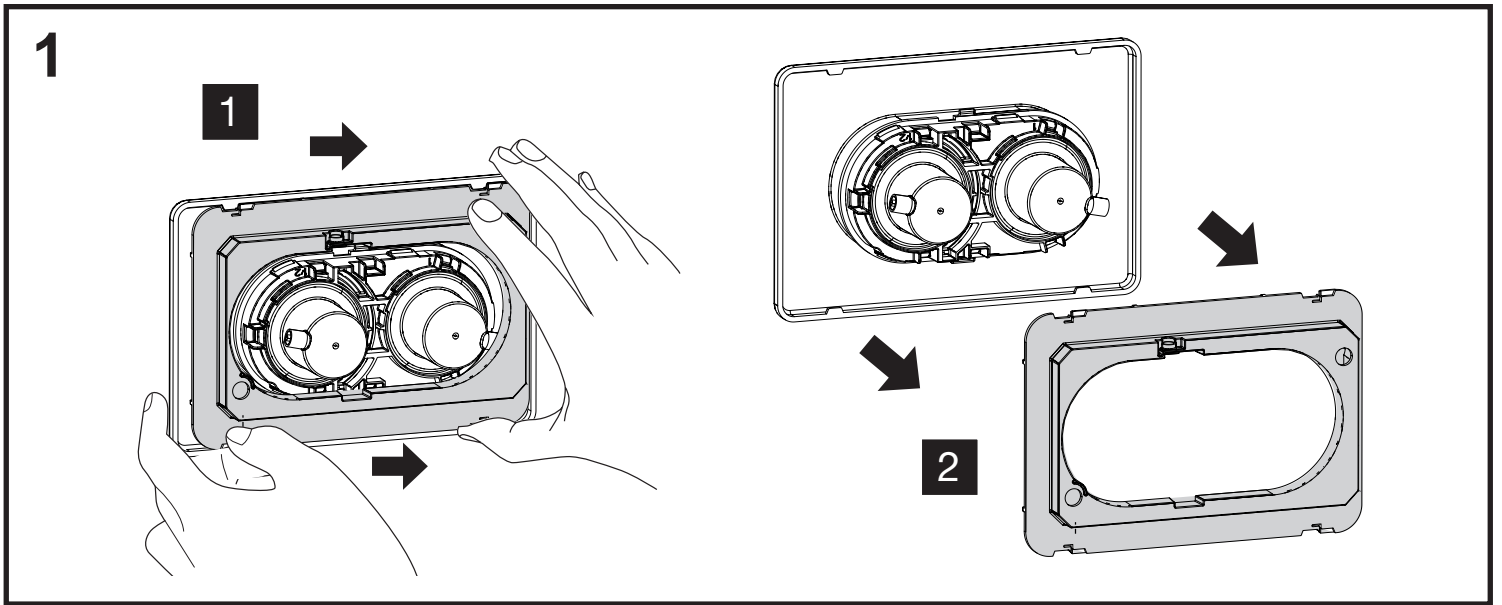
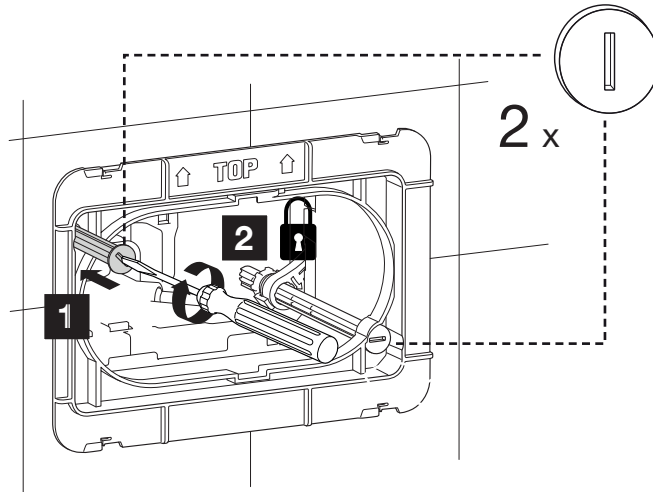


# OVAL CISTERN FLUSH PLATE (54F) PNEUMATIC

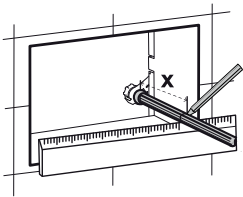




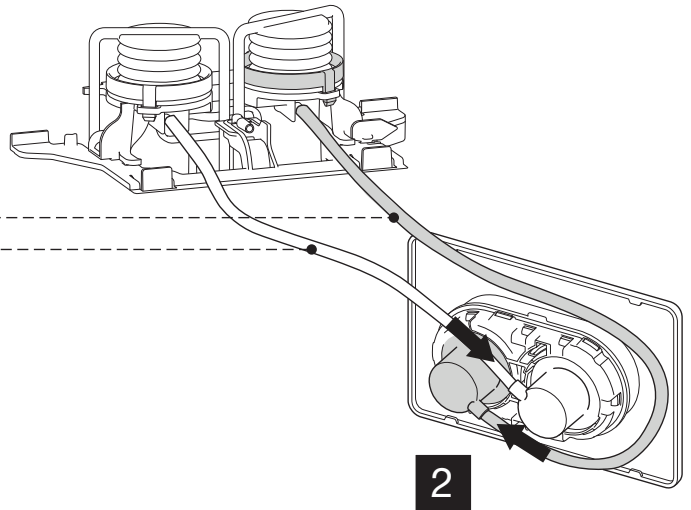
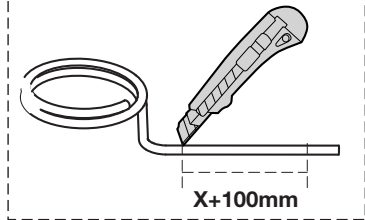
5



6



1



i

