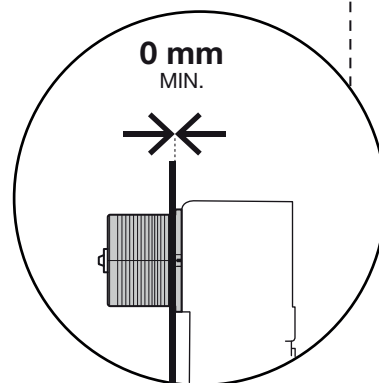
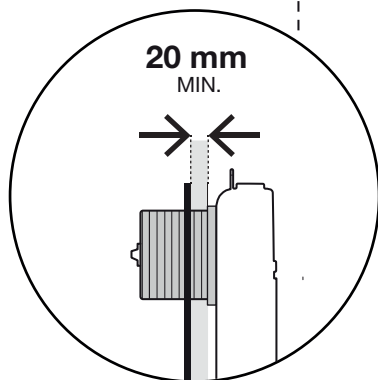
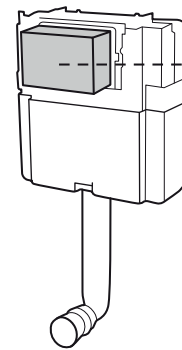
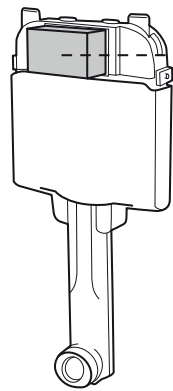
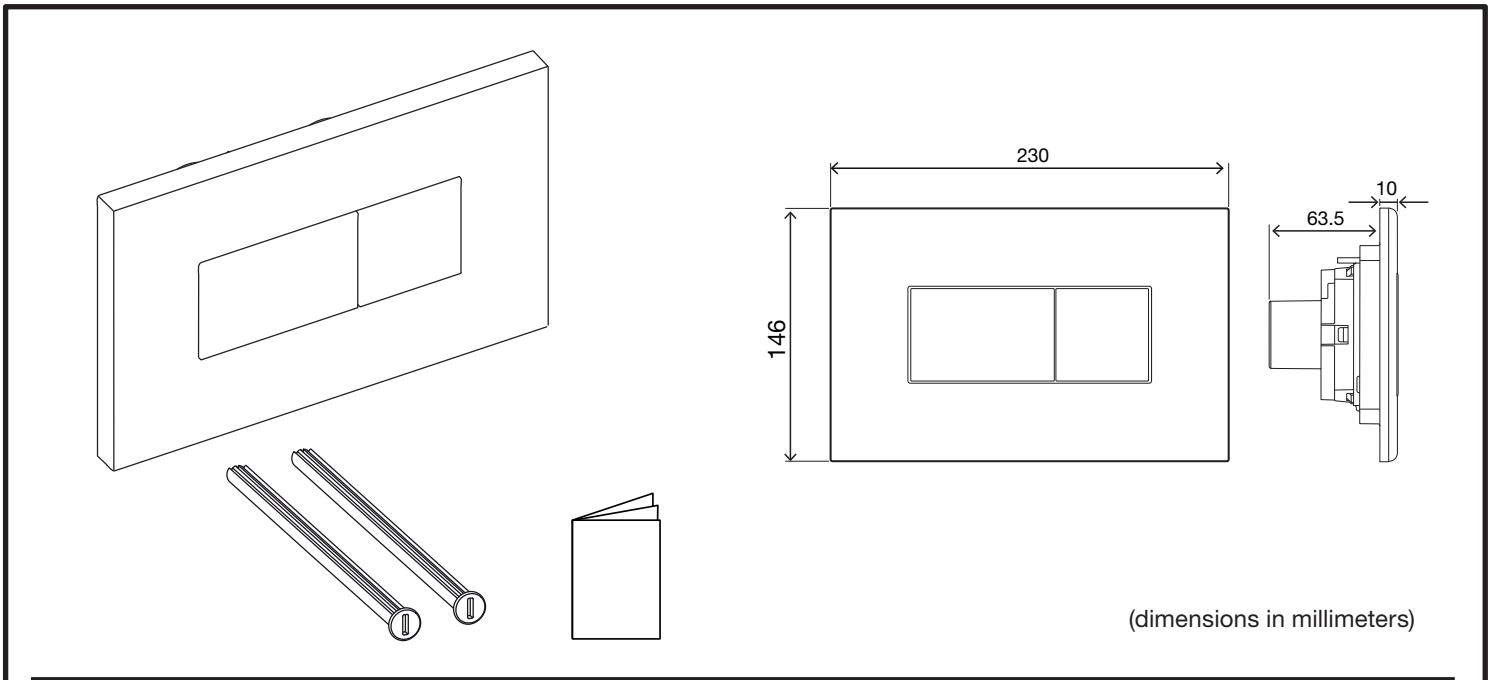
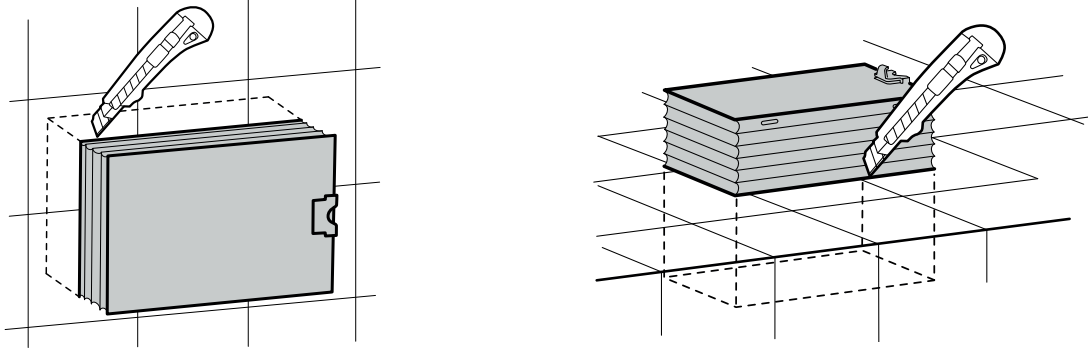


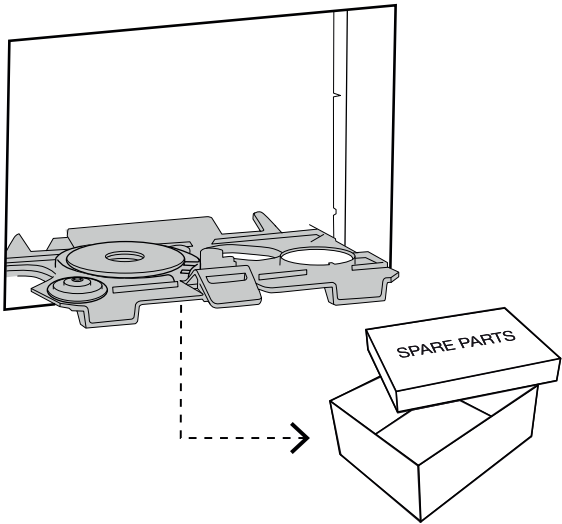
# QUBE CISTERN FLUSH PLATE (54E) PNEUMATIC



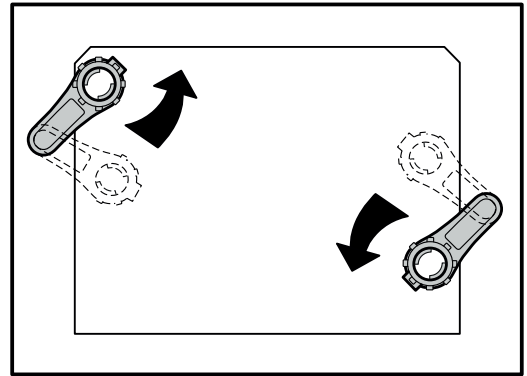
1



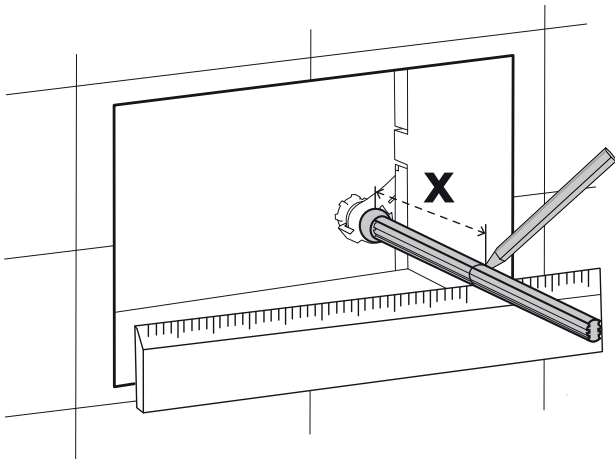
2



3



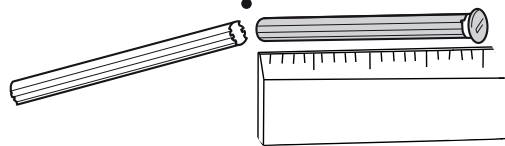
4

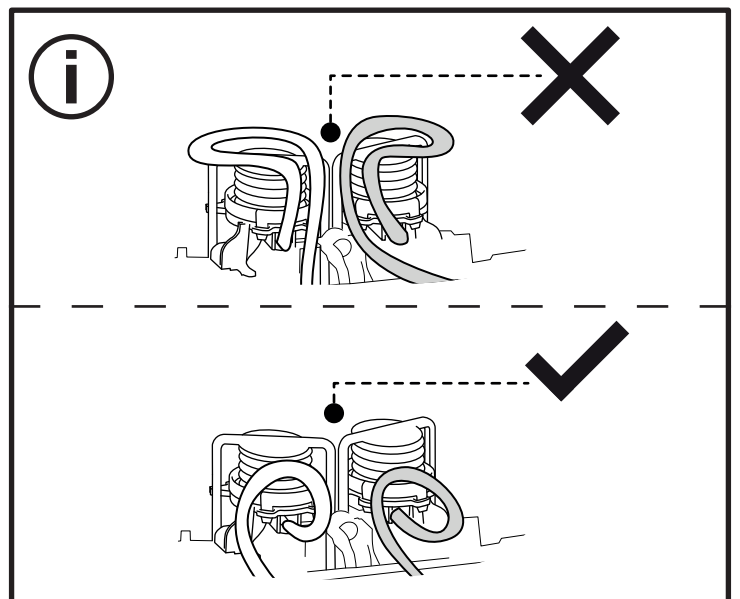
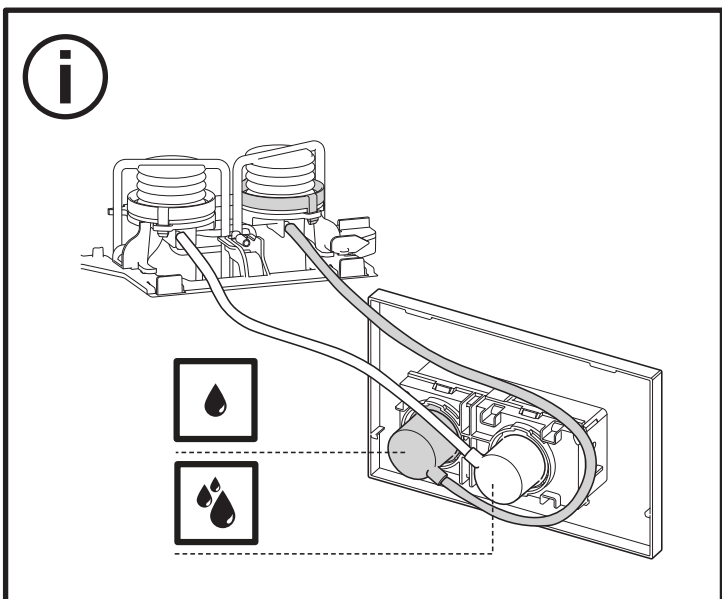
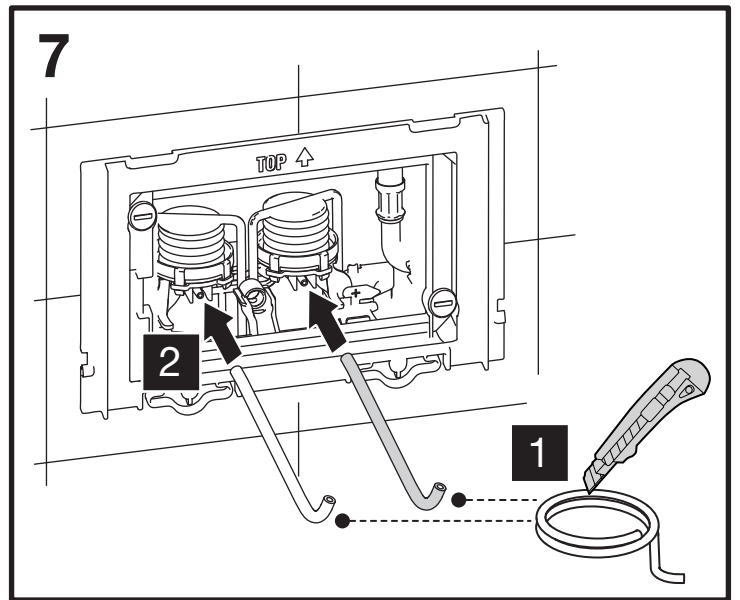
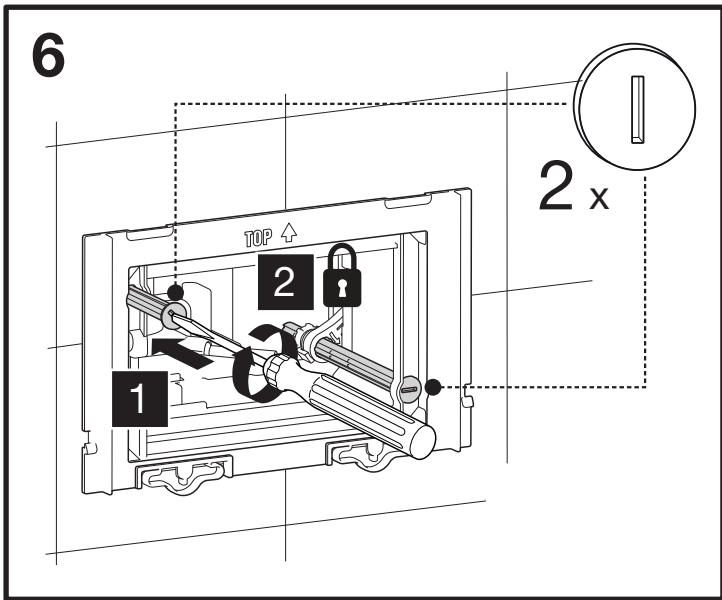
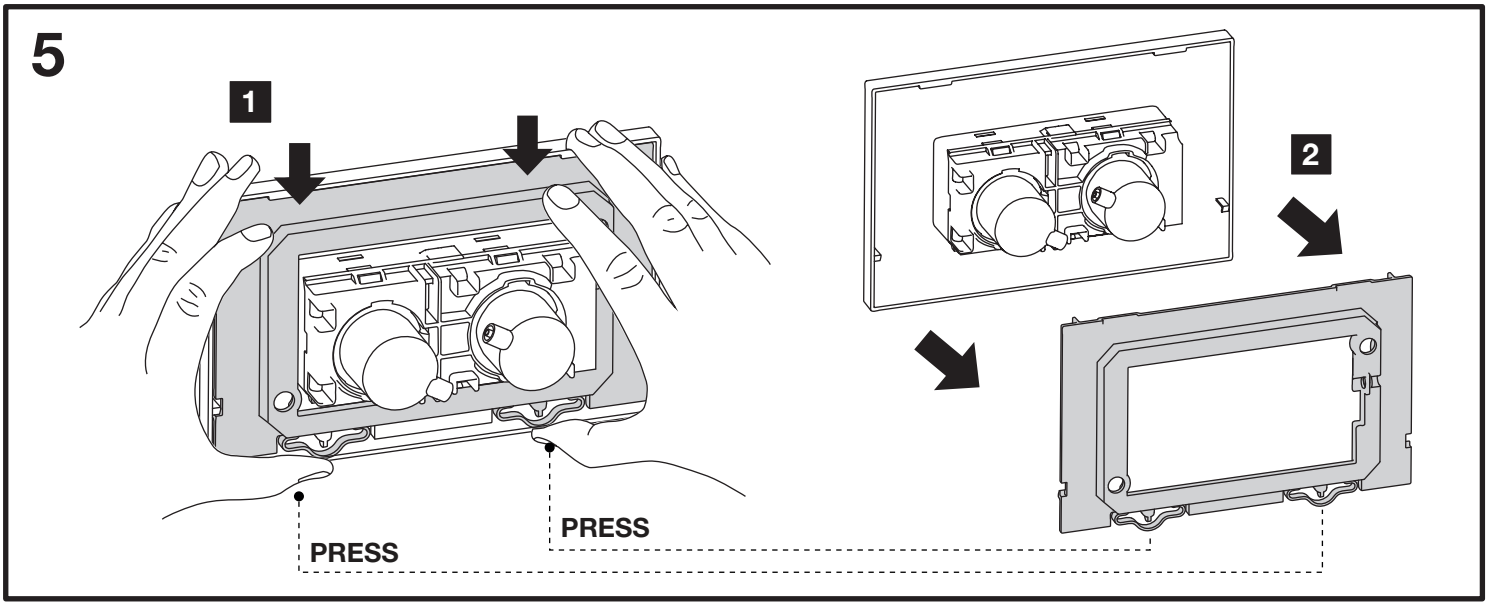


x2 



← X + 25mm →





8

