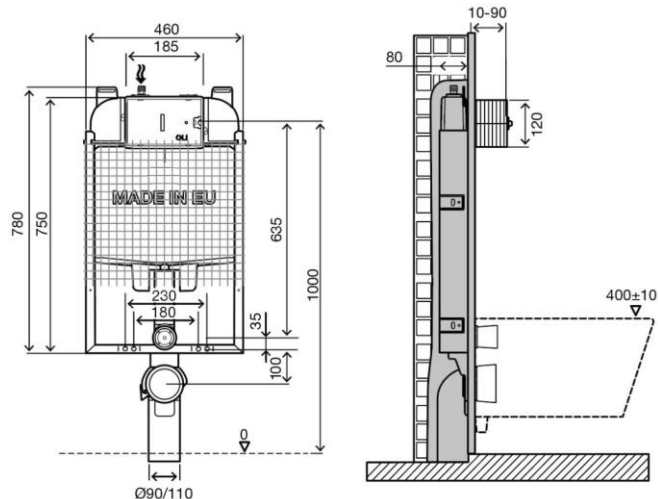


# Technical Sheet

## WATER SAVING TOILET CISTERN FOR MASONRY WALLS (52L)



### Definition and Application

- Preassembled structure for setting in masonry walls, to installation of wall-hung sanitary appliances.
- Compatible with all wall-hung WC pans

### Technical Features

#### Structure

- Metal, galvanized, corrosion resistant

#### Cistern

- Dual flush of 4/2 litres
- Mechanic actuation
- Working pressure from 0,1 to 16 bar
- Resistance to atmospheric humidity (Hr <90%).
- Polypropylene (PP) cistern highly resistant and inalterable to thermal stress
- Other versions compliant with WRAS/SAI-WATERMARK/UPC/KIWA standards
- EN 14055 marking CL1
- Equipped with Azor Plus Inlet Valve, with delayed refilling (saves up to 9 litres of water per day) and silent according to the NF standard category Class I
- Supplied with anti-condensation lining
- "A" class for the Water Efficiency in compliance with the ANQIP Authority requirements

# Technical Sheet

## Accessories

- 1 Flush pipe  $\varnothing$  90 x 250
- 1 Seal for flush pipe  $\varnothing$  125
- 1 Connecting pipe  $\varnothing$  45 x 180
- 1 Pan rubber seal  $\varnothing$  45
- 1 Protective box
- 1 G 1/2" stop valve
- 1 Protection sponge for the stop valve
- 1 Outlet bend  $\varnothing$  90 / 90 L230
- 1 Protection pipe  $\varnothing$ 90
- 1 Protection pipe  $\varnothing$ 45

### Fixing accessories for wall structure:

- 4 Galvanized screws M8x60
- 4 Galvanized washers M8 DIN 9021
- 4 Bushing for metal structure
- 2 Fast Fit fixing

### Fixing accessories for toilet bowl mounting on the structure:

- 2 Threaded rods M12
- 2 Protection for threaded rod
- 2 Protection cover
- 2 Toilet centring washer
- 2 Nuts M12
- 2 Washers  $\varnothing$  34

## Warranty

Ten (10) years warranty according to the general selling terms, starting from the purchase date of the product.

If the product is not correctly installed the warranty is not valid