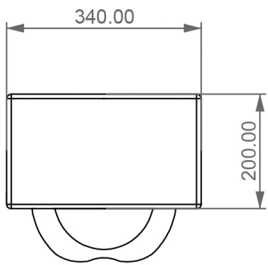
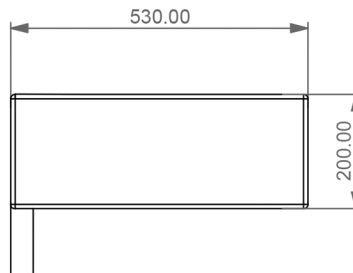


QUBE WALL MOUNTED BIDET (21F)

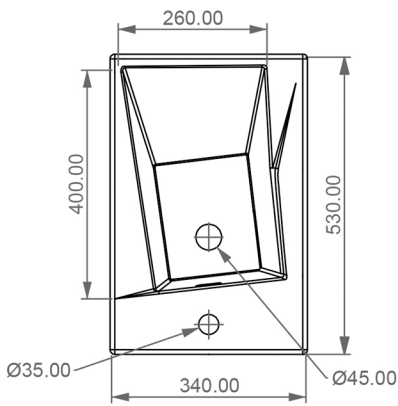
WEIGHT 22.3KG
DIMENSIONS IN MM



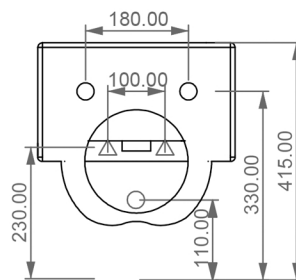
FRONT



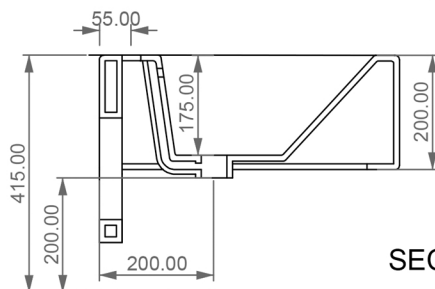
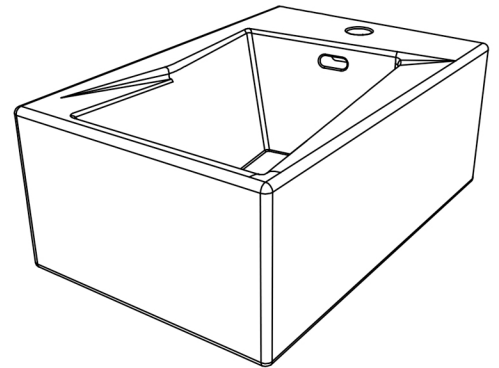
LEFT



TOP



REAR



SECTION

