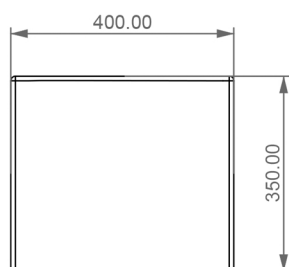
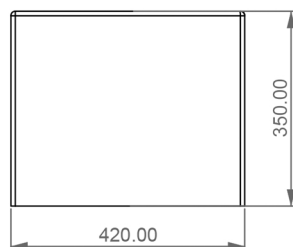


QUBE RECTANGULAR WORKTOP WASHBASIN (21A)

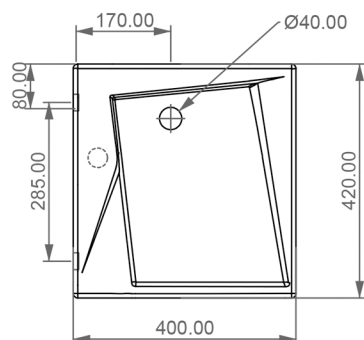
WEIGHT 27KG
DIMENSIONS IN MM



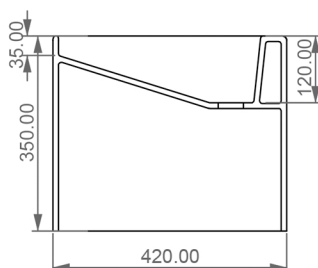
FRONT



LEFT



TOP



SECTION

