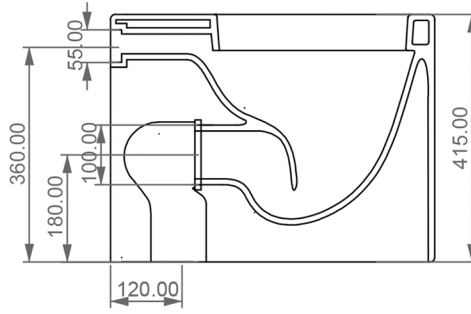
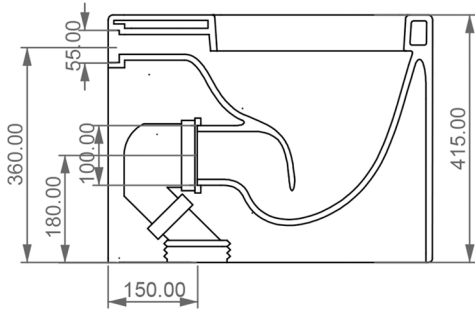


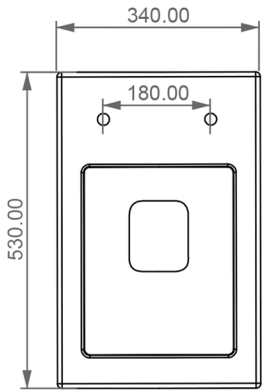
QUBE BACK TO WALL TOILET & SOFT CLOSE SEAT (21E)

WEIGHT 29.5KG
DIMENSIONS IN MM

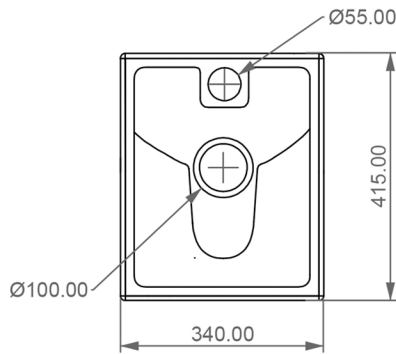


Con connessione eccentrica per scarico a suolo.
With outlying drainage connector for floor trap.

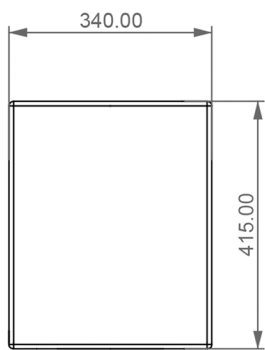
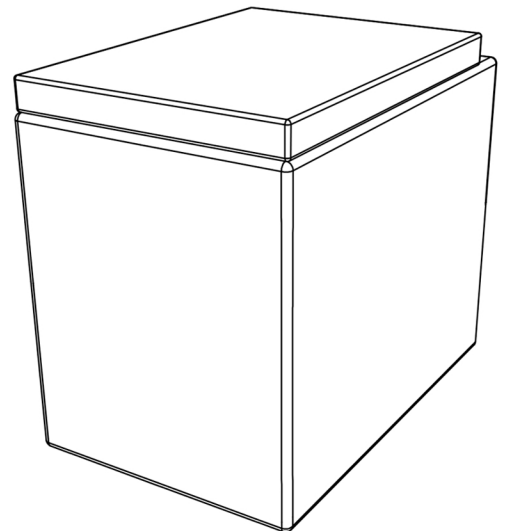
SECTION



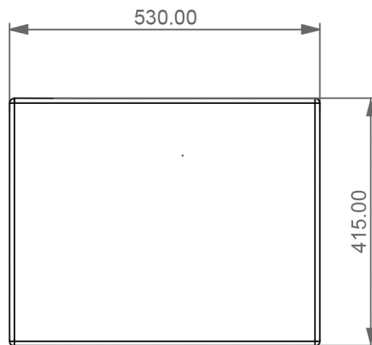
TOP



REAR



FRONT



LEFT

