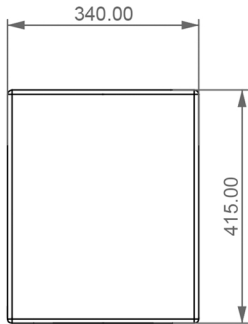
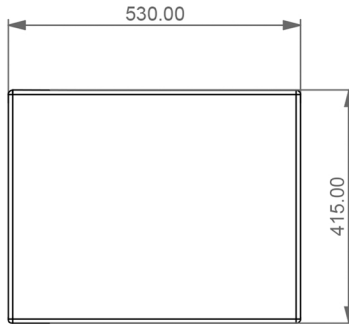


QUBE BACK TO WALL BIDET (21G)

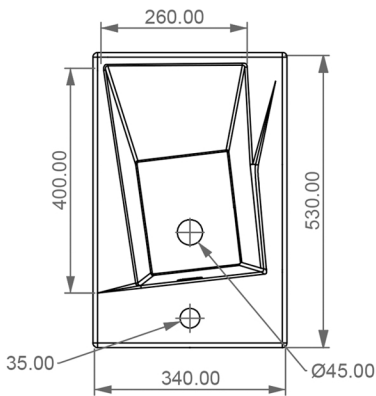
WEIGHT 29.5KG
DIMENSIONS IN MM



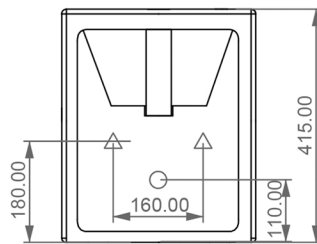
FRONT



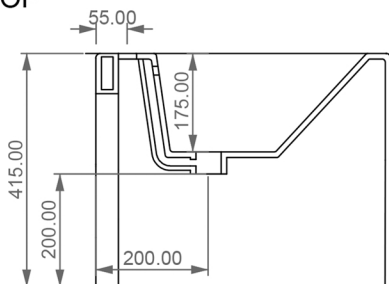
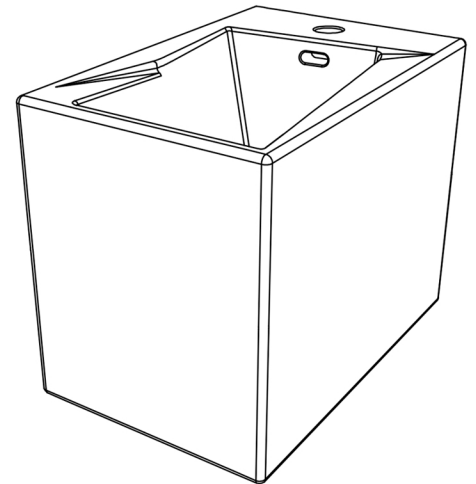
LEFT



TOP



REAR



SECTION

