

PASTEL

Pastel Wash Stand with Storage (NP10)



FRAME COLOURS

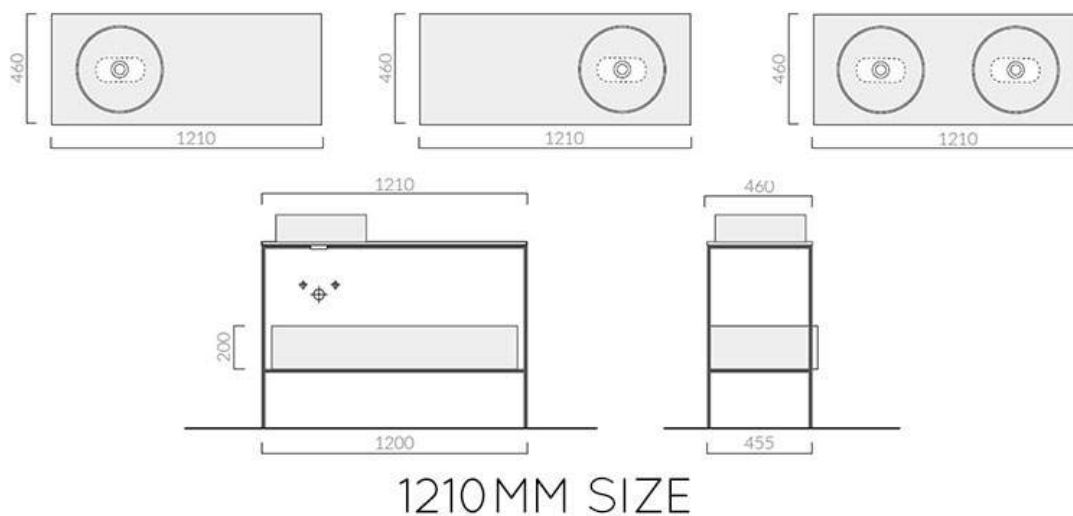
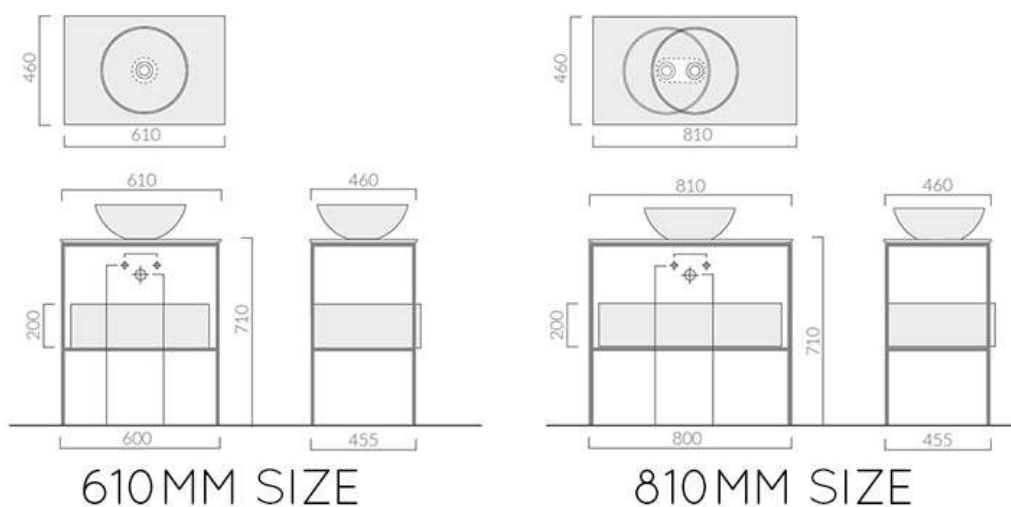


COLOURS

BASIN SHELF



STORAGE DRAWER



Constantly improving its products by adding new materials, new projects and modern production technologies. The company reserves the right to change any technical

specifications/dimension and/or operating characteristics of the products at any time and without giving notice. The ceramic items weight may vary up to 20%.