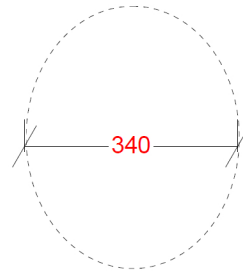
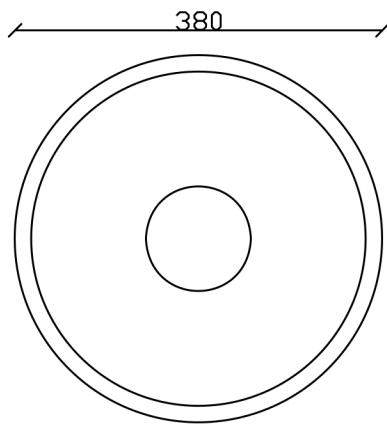


# ORGANIC ROUND COUNTER TOP BASIN (9CC)

WEIGHT 5.5KG  
DIMENSIONS IN MM

---



Size of hole the surface plan to montain the washbasins

