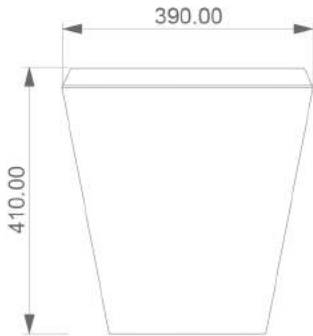


# MITRE DECO BACK TO WC (MD6)

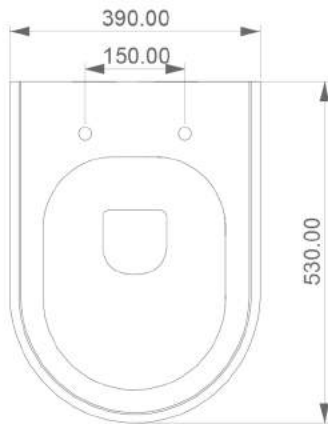
WEIGHT 31 KG  
DIMENSIONS IN MM



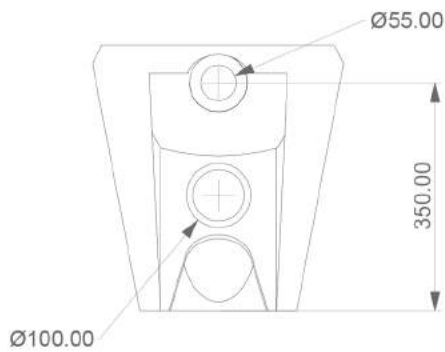
FRONT



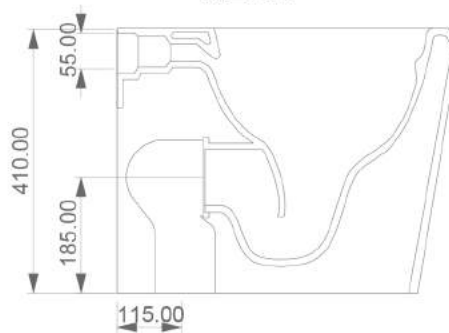
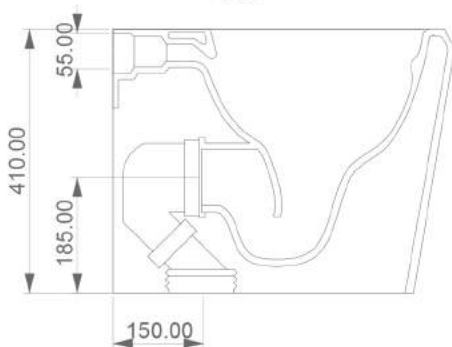
LEFT



TOP



REAR



SECTION



Con connessione eccentrica per scarico a suolo.  
With outlying drainage connector for floor trap.

