

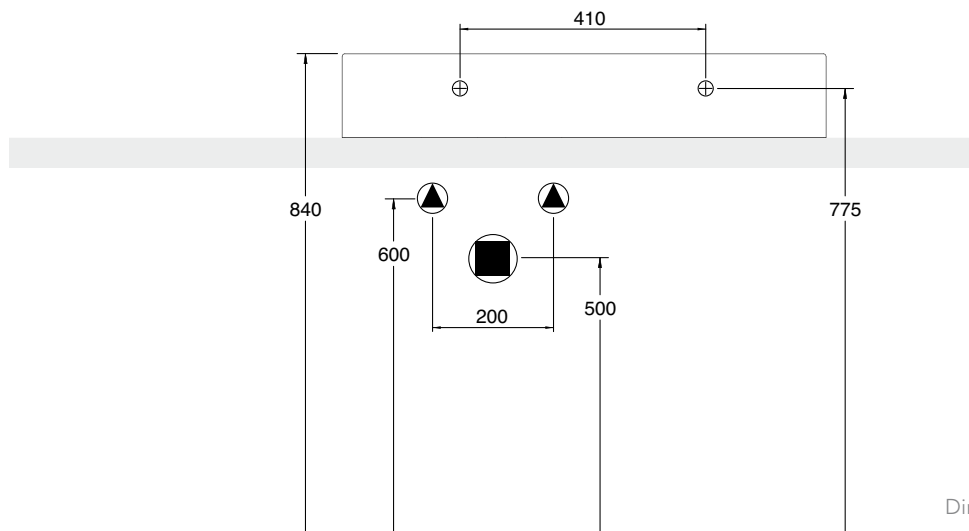
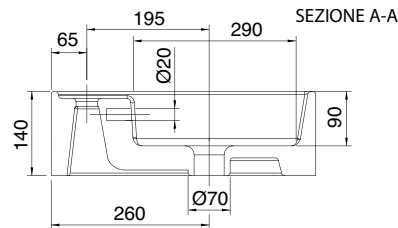
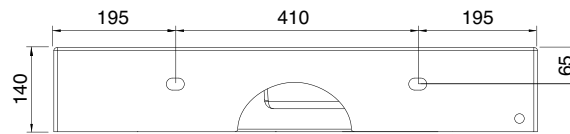
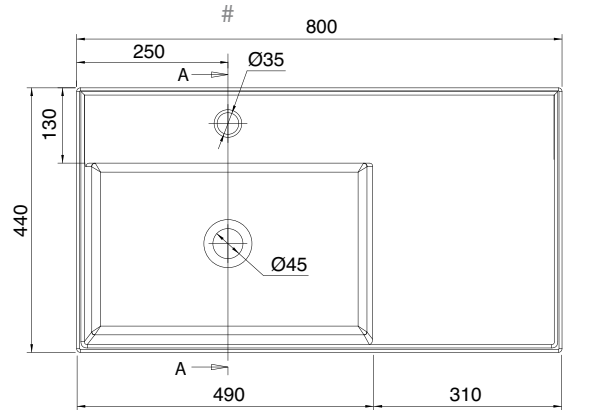


# MONTE DESIGNER WASH STAND (MX15)

80 SHELF DX®

80 x 44 Cm - 20 Kg

Lay-on or wall-mounted washbasin, configured for single-hole tap set, on request, available with three holes or without holes for tap set



Dimension tolerance  $\pm 5\%$

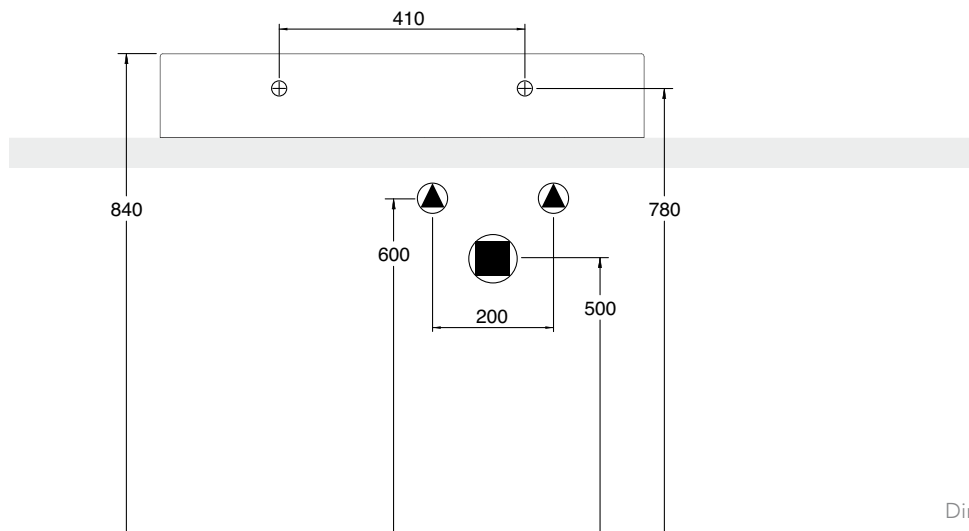
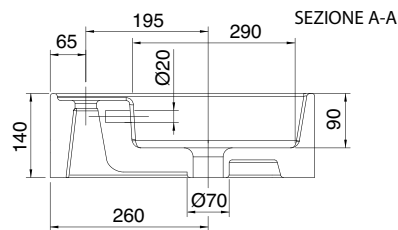
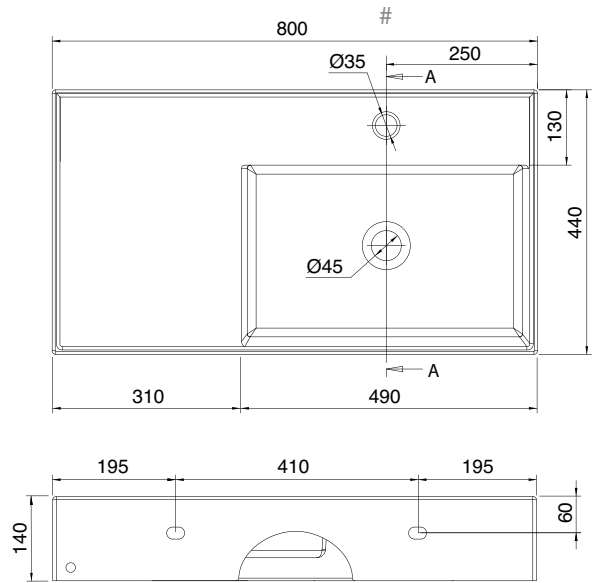


# MONTE DESIGNER WASH STAND (MX15)

SHELF SX®

80 x 44 Cm - 20 Kg

Lay-on or wall-mounted washbasin, configured for single-hole tap set, on request, available with three holes or without holes for tap set



Dimension tolerance  $\pm 5\%$

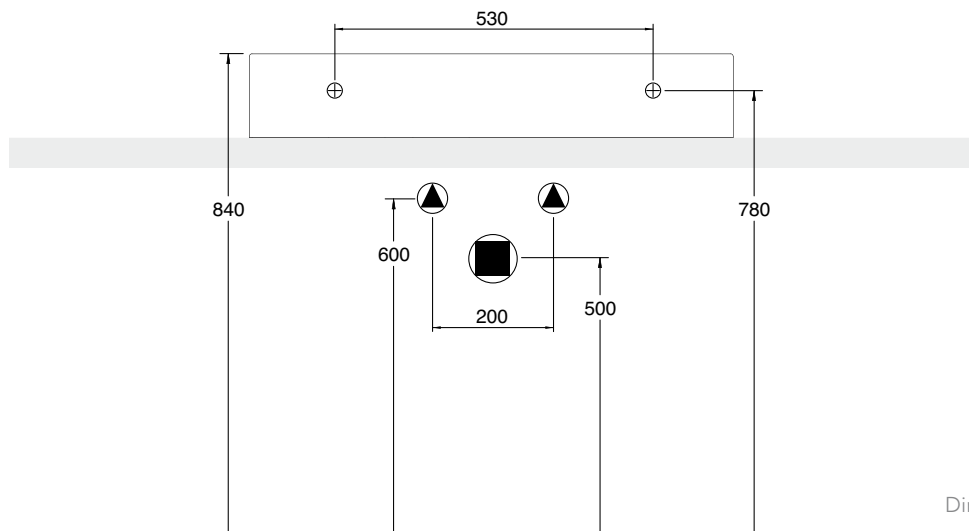
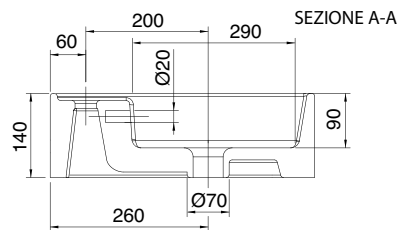
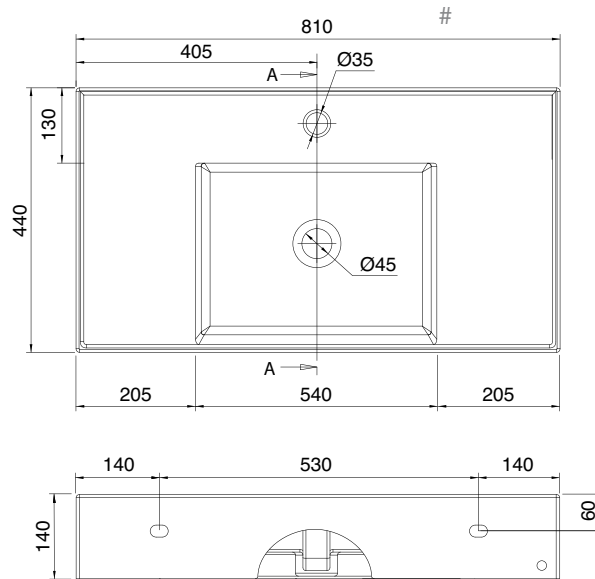


# MONTE DESIGNER WASH STAND (MX15)

DOUBLE SHELF®

81 x 44 Cm - 22 Kg

Lay-on or wall-mounted washbasin, configured for single-hole tap set, on request, available with three holes or without holes for tap set



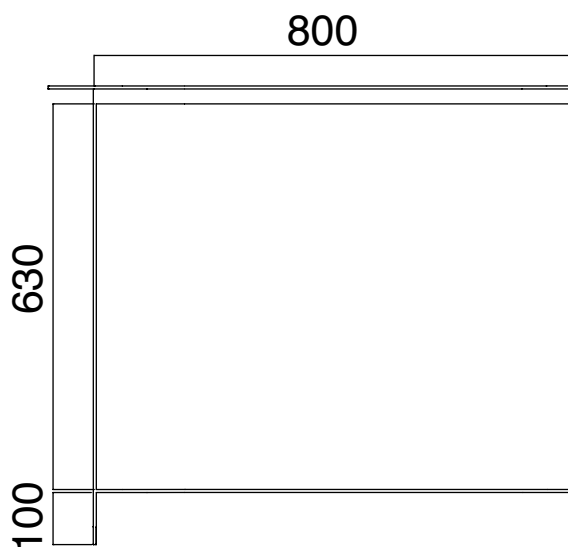
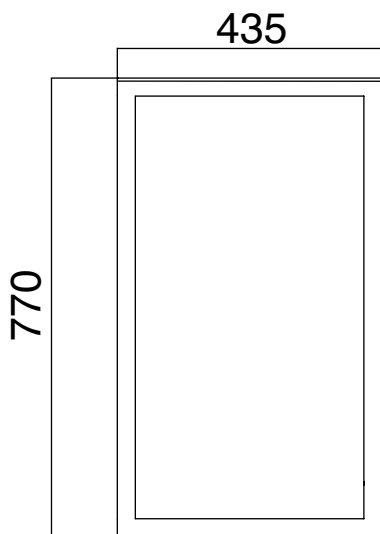
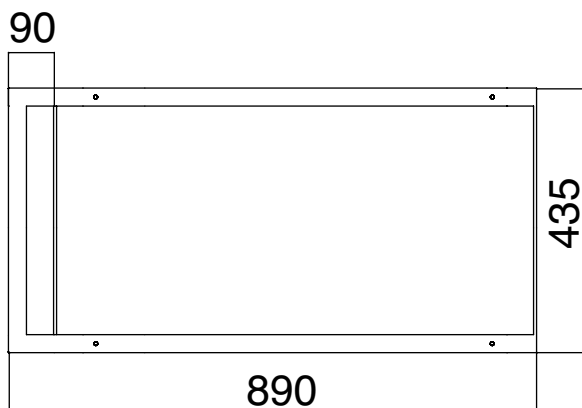
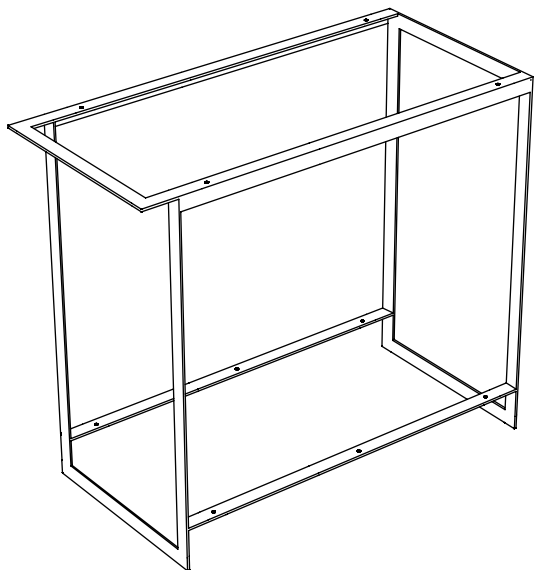
Dimension tolerance  $\pm 5\%$

MONTE DESIGNER WASH STAND (MX15)

FRAME

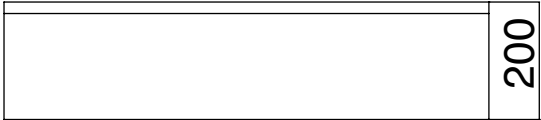
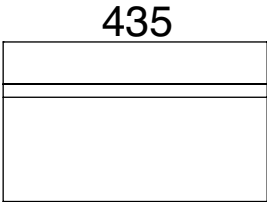
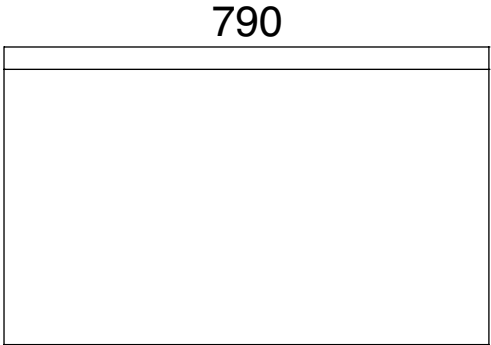
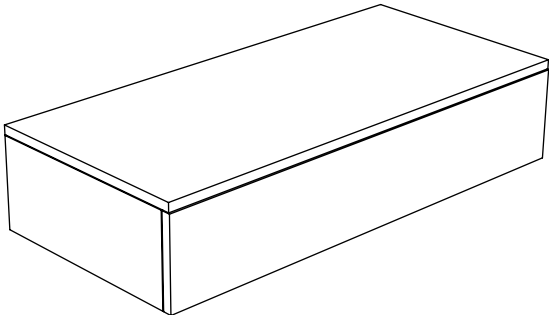
L89 P43,5 H77 Cm

Floor-standing table for washbasin 80 cm



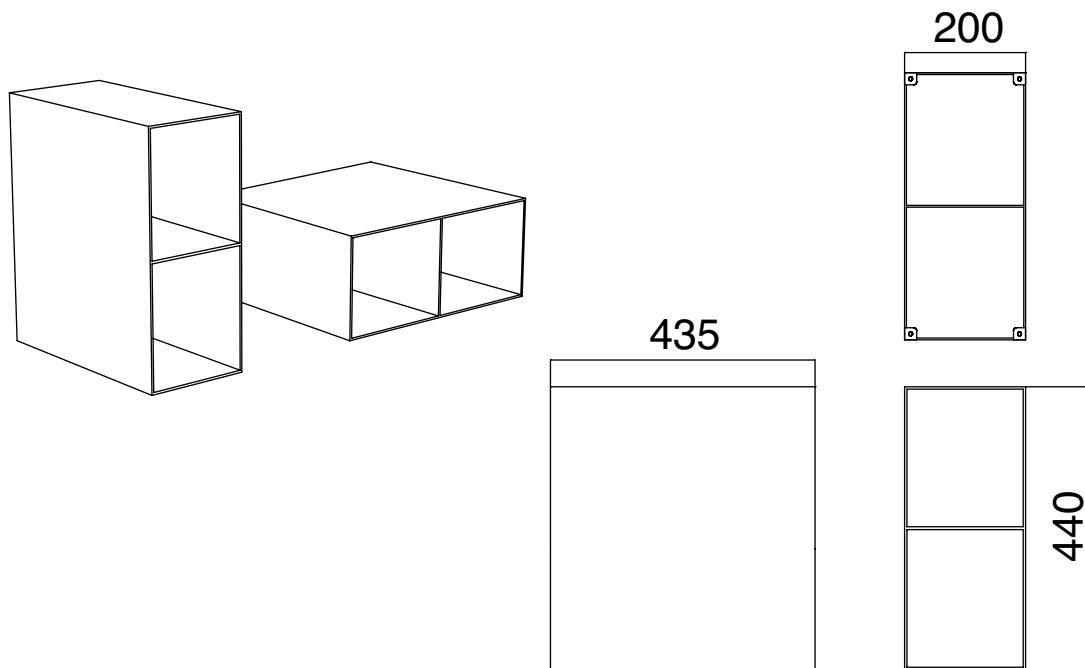
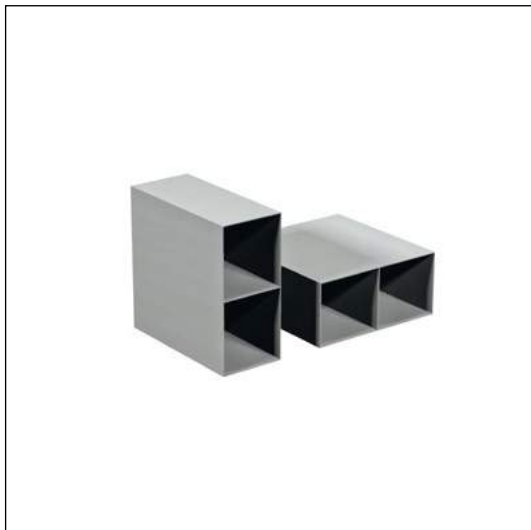
MONTE DESIGNER WASH STAND (MX15)  
L79 P43,5 H20 Cm

Drawer 79 x h20 cm



MONTE DESIGNER WASH STAND (MX15)  
44 x 20 P43,5 Cm

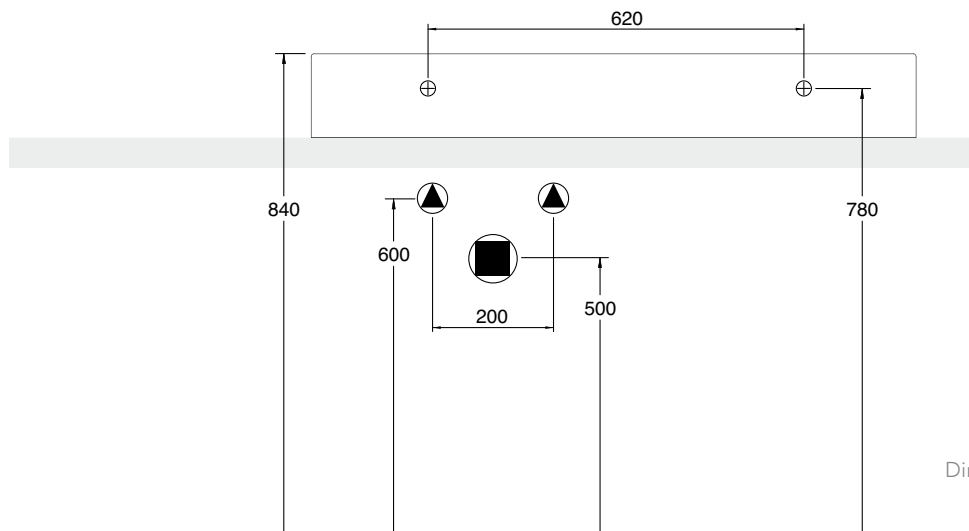
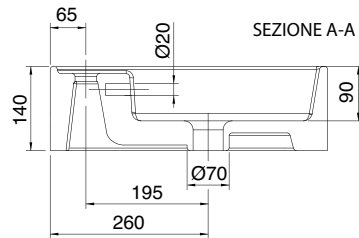
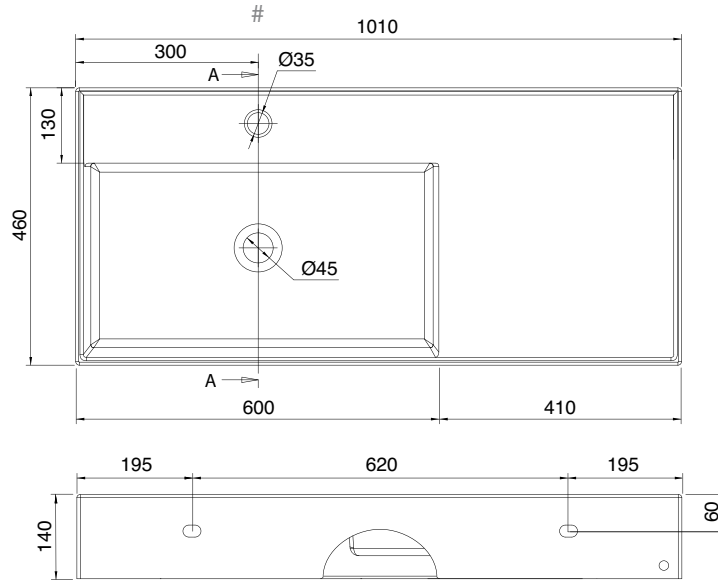
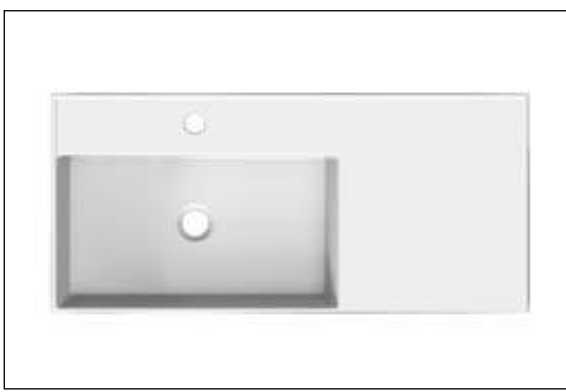
x1 Metal container 43.5 cm depth



# MONTE DESIGNER WASH STAND (MX15)

## 101 x 46 Cm - 25 Kg

Lay-on or wall-mounted washbasin, configured for single-hole tap set, on request, available with three holes or without holes for tap set

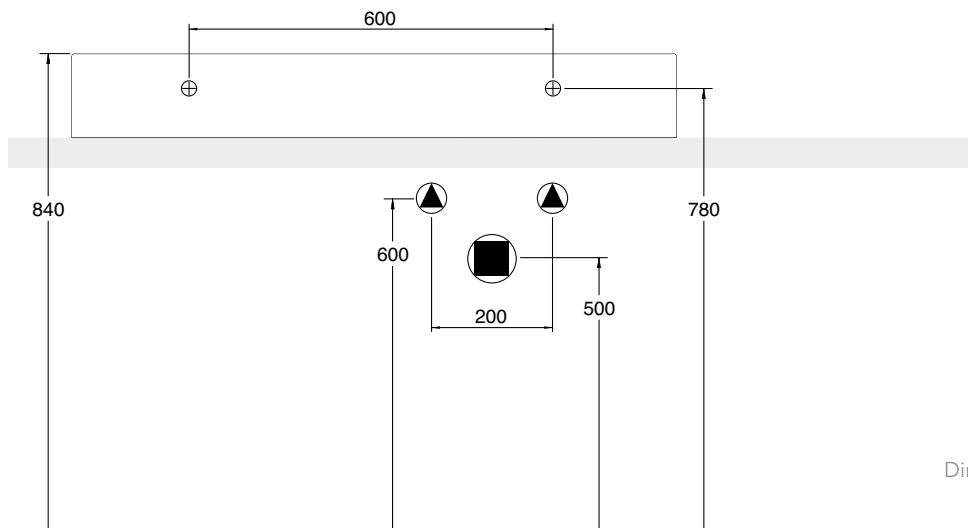
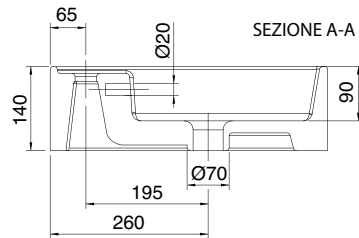
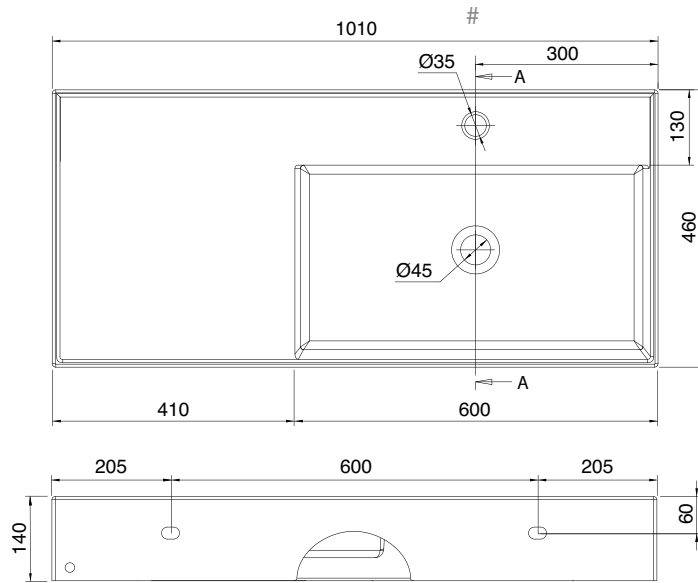
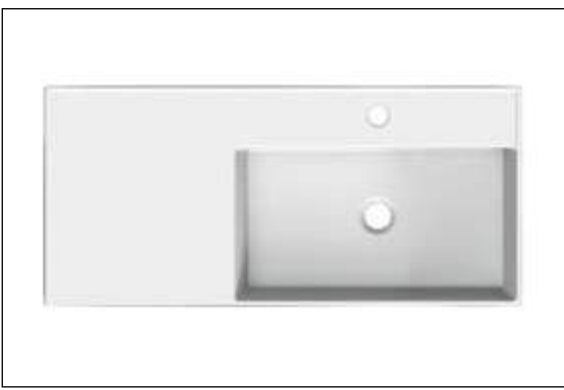


Dimension tolerance  $\pm 5\%$

# MONTE DESIGNER WASH STAND (MX15)

101 x 46 Cm - 25 Kg.

Lay-on or wall-mounted washbasin, configured for single-hole tap set, on request, available with three holes or without holes for tap set



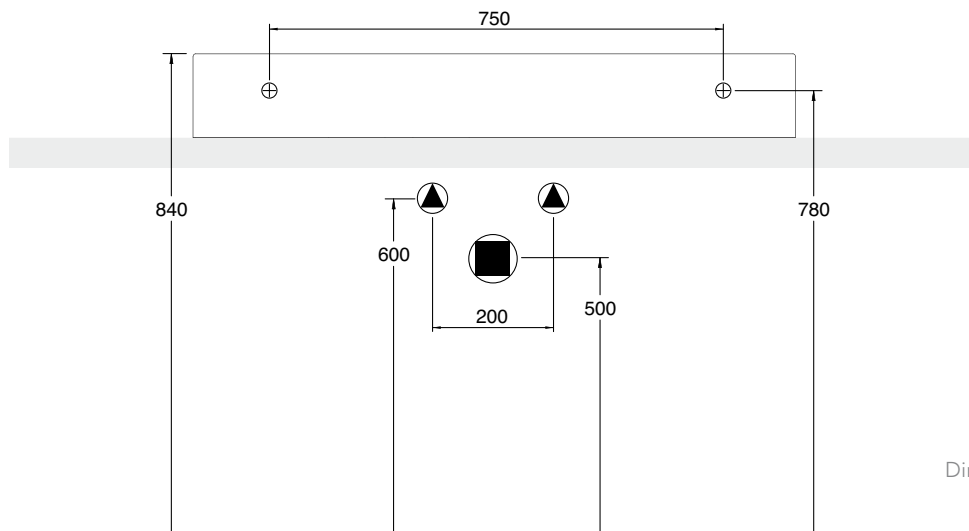
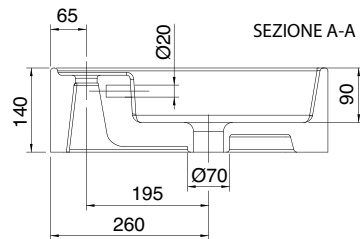
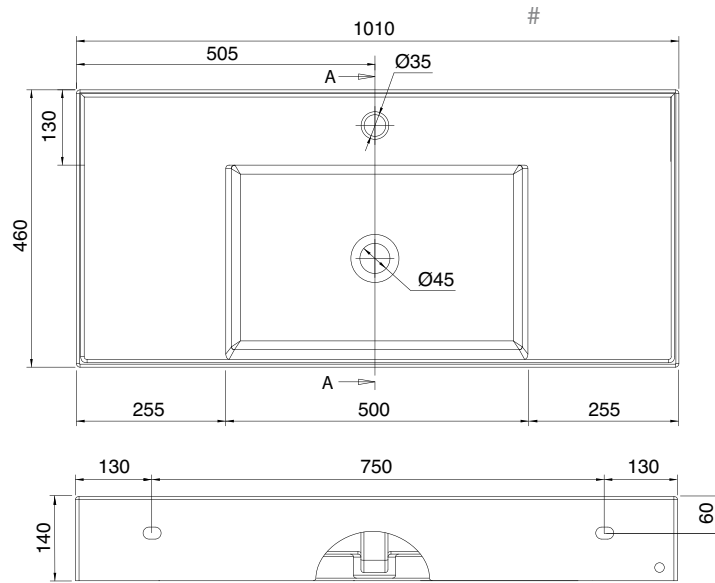
Dimension tolerance  $\pm 5\%$



# MONTE DESIGNER WASH STAND (MX15)

## 101 x 46 Cm - 25 Kg.

Lay-on or wall-mounted washbasin, configured for single-hole tap set, on request, available with three holes or without holes for tap set

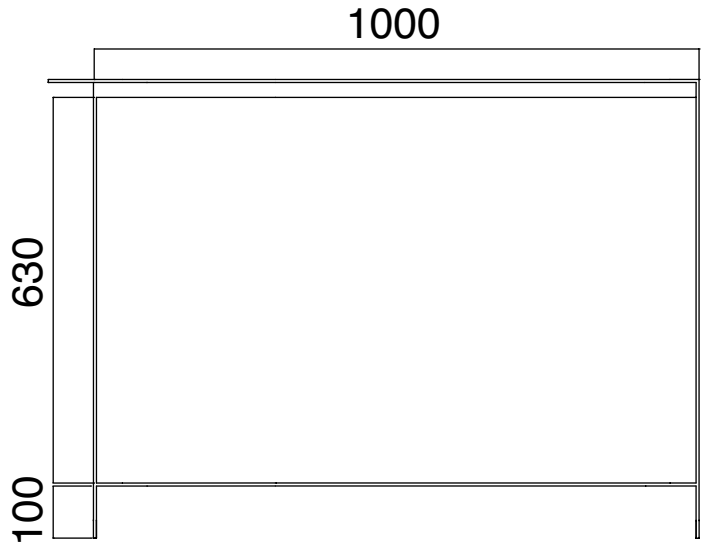
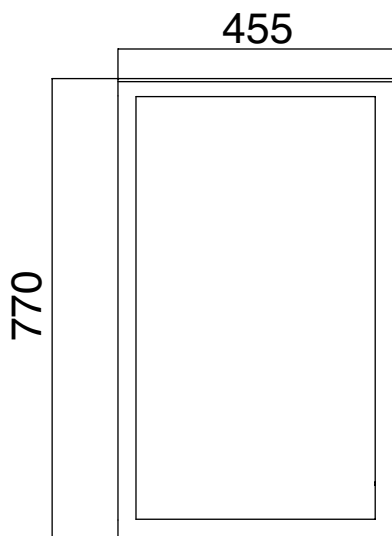
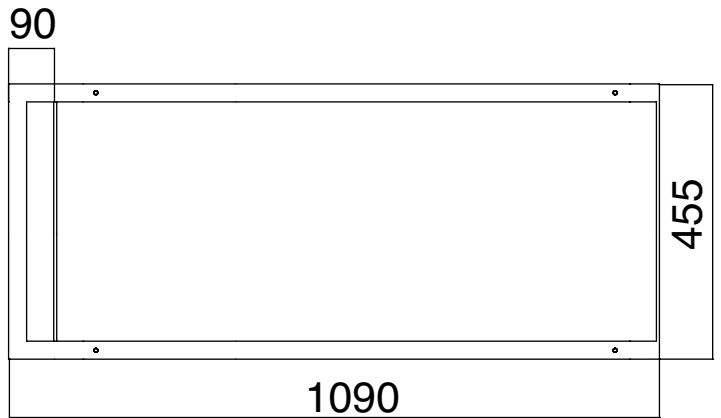
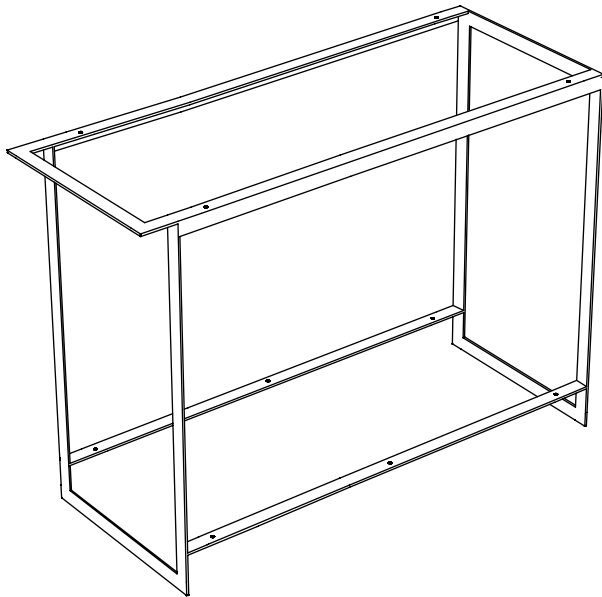


Dimension tolerance  $\pm 5\%$

MONTE DESIGNER WASH STAND (MX15)

L109 P45,5 H77 Cm

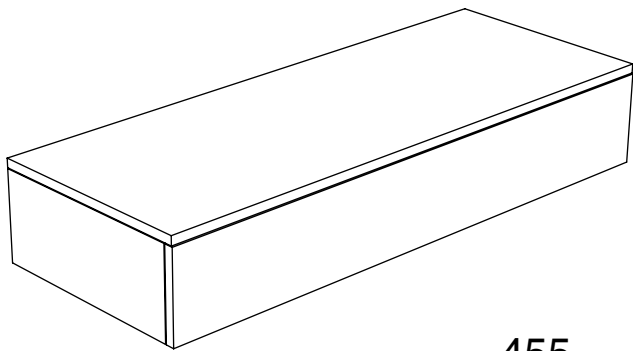
Floor-standing table for washbasin 100 cm



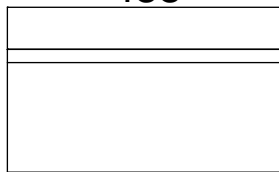
MONTE DESIGNER WASH STAND (MX15)

L99 P45,5 H20 Cm

Drawer 99 x h20 cm



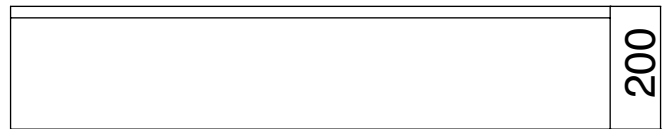
455



990



200



MONTE DESIGNER WASH STAND (MX15)

44 x 20 P45,5 Cm

x1 Metal container 45.5 cm depth

