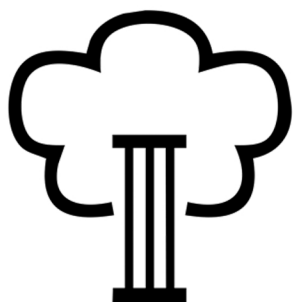
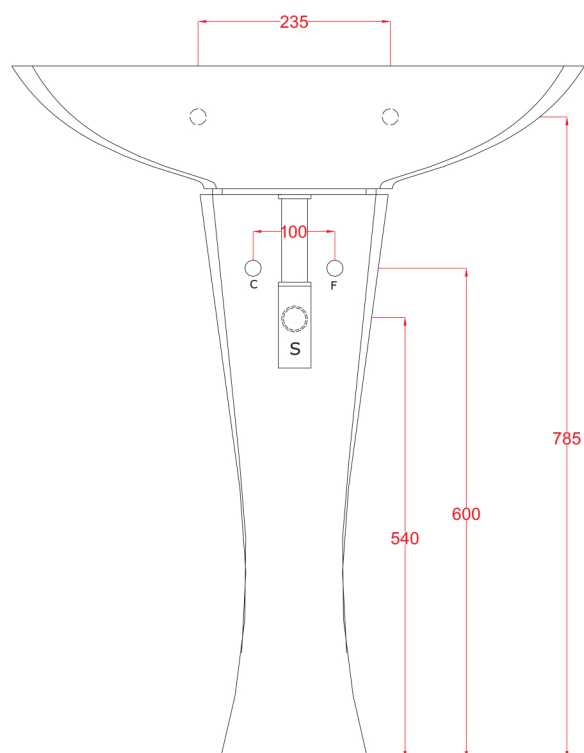
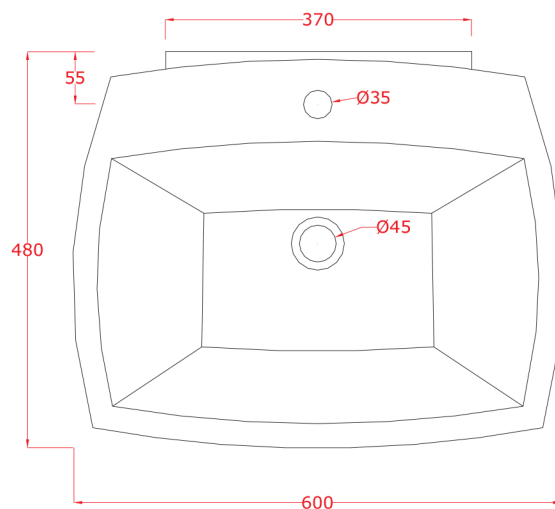
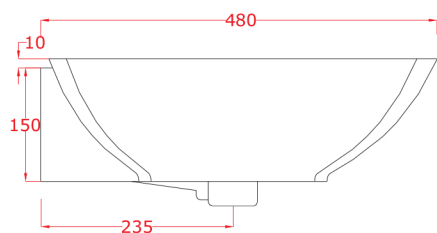


LULU BLACK SINK WITH PEDESTAL (13A)

600MM SIZE

WEIGHT 10 + 12KG
DIMENSIONS IN MM



LULU BLACK SINK WITH PEDESTAL (13A)

700MM SIZE

WEIGHT 17 + 11.5KG
DIMENSIONS IN MM

