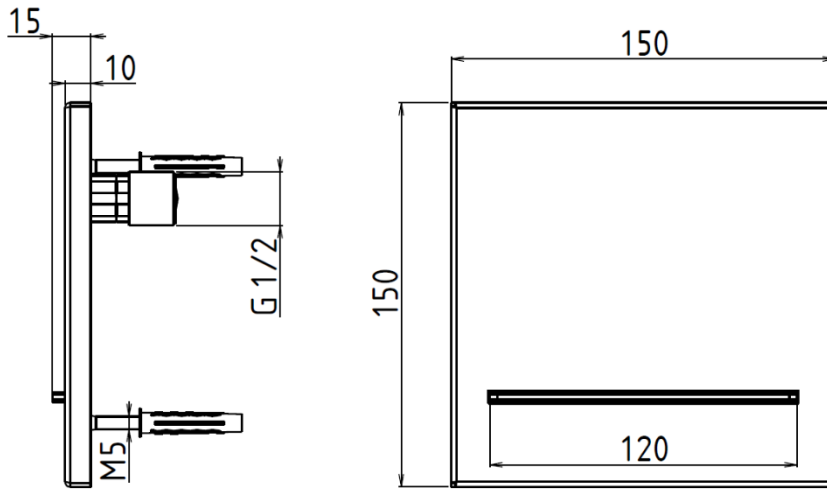


# TECHNICAL DATA SHEET

TECHNICAL DRAWING



PHOTO



DESCRIPTION: Waterfall wall-mounted shower head flush-wall square 150x150

**CUSTOMER:**

CUSTOMER CODE:

**PRODUCT CODE:**

DESCRIPTION:

QUANTITY OF NOZZLES	NOZZLES COLOUR	FLOW LIMITER
N/A	N/A	12 l/min'

MAINTENANCE TIPS:

FOLLOW THE ATTACHED INSTRUCTIONS

## PRODUCT PACKAGING

- Transparent PLT bag 25X25, air bubble bag 25X25, brown box, 1/2 "wall attachment, wall-fixing kit, standard label.

WEIGHT SINGLE BOX: Kg 1.1

DIMENSIONS SINGLE BOX: 285X250XH70 mm

**ST\_PRODUCT: SQUARE**

Date of issue 15/04/2020

Last update 02/05/2022

MODULE STP REV. OF 28/01/2021

The reported data cannot be considered binding. We reserve the right to make technical and aesthetic changes without prior notice

