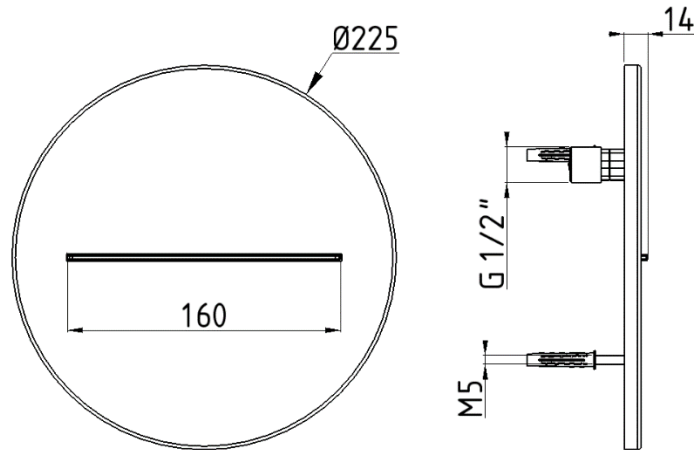


# TECHNICAL DATA SHEET

## TECHNICAL DRAWING



## PHOTO



DESCRIPTION: Waterfall wall-mounted shower head flush-wall round ø225

### CUSTOMER:

CUSTOMER CODE:

PRODUCT CODE:

DESCRIPTION:

QUANTITY OF NOZZLES	NOZZLES COLOUR	FLOW LIMITER
N/A	N/A	12 l/min'

### MAINTENANCE TIPS:

FOLLOW THE ATTACHED INSTRUCTIONS

## PRODUCT PACKAGING

- Transparent PLT bag 25X25, air bubble bag 25X25, brown box, ½ "wall attachment, wall-fixing kit, standard label.

WEIGHT SINGLE BOX: Kg 1.1

DIMENSIONS SINGLE BOX: 285X250XH70 mm

### ST\_PRODUCT: ROUND

Date of issue 15/04/2020

Last update 02/05/2022

MODULE STP REV. OF 28/01/2021

The reported data cannot be considered binding. We reserve the right to make technical and aesthetic changes without prior notice

