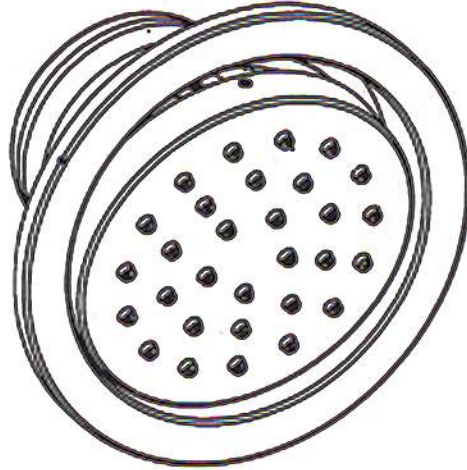


Installation Instruction

Side Spray



Thank you for selecting our products.

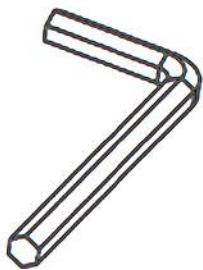
This instruction contains the usage, manipulation, maintenance etc. To help insure that the installation process will proceed smoothly, please read these instructions carefully before you begin.

Installation Instruction

Notes:

- Before installing the product, please read the instruction carefully.
- To Avoid the impact of poor water quality on the usage of the product, we recommend that you install the aerator in water supply pipe which manufactured by our company. Please refer to the local dealer for details.
- The main body is in its best situation before leaving the factory, Please do not disconnect the faucet body by yourself.

Advise Tools and Materrals:



H10 Wrench



H2 Wrench

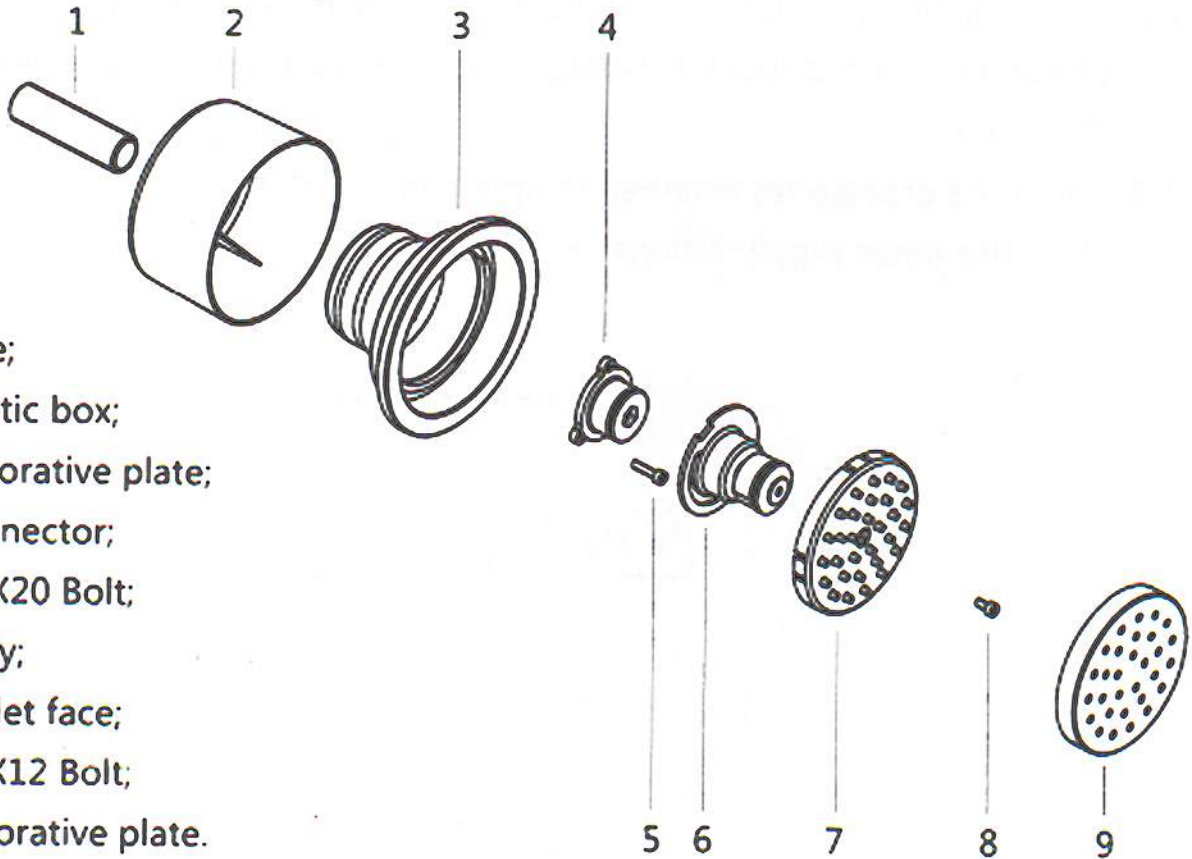


Screwdriver

Installation Instruction

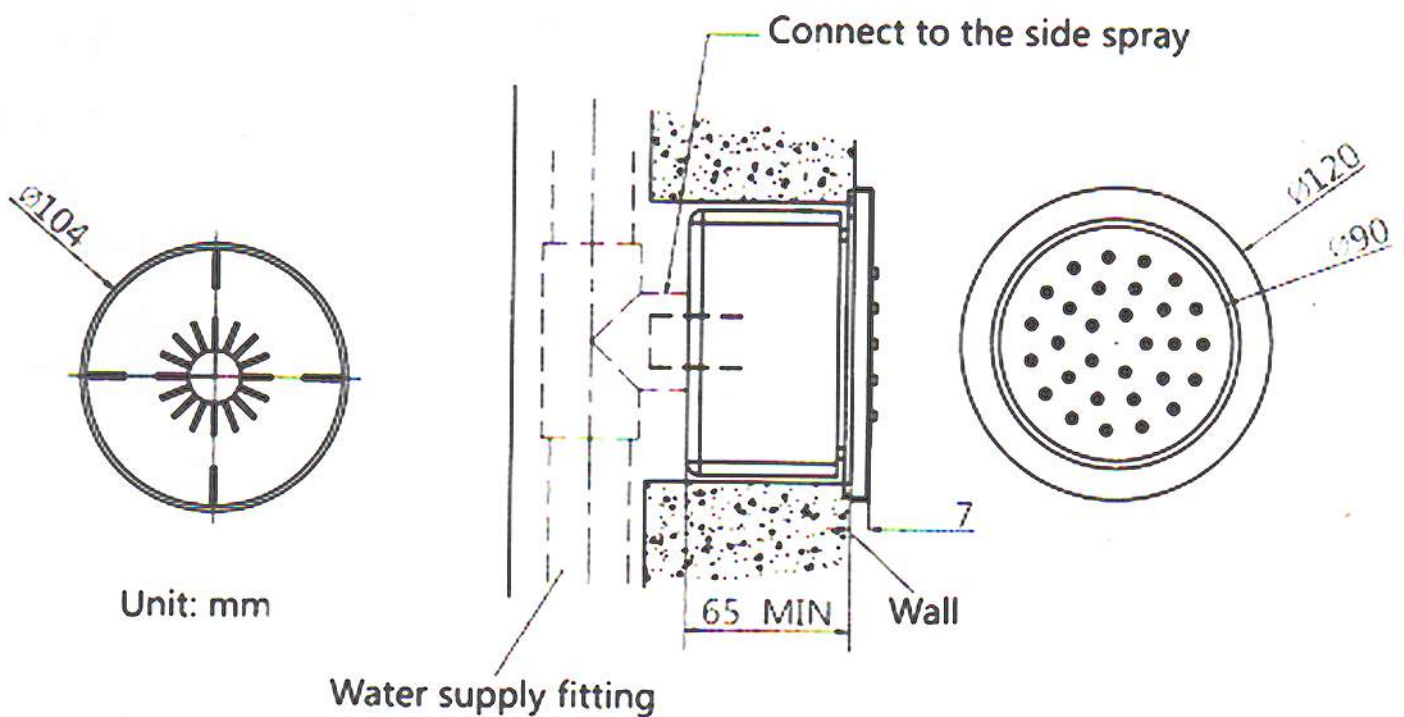
Installation

See the exploded drawing below:



1. Pipe;
2. Plastic box;
3. Decorative plate;
4. Connector;
5. M4X20 Bolt;
6. Body;
7. Outlet face;
8. M4X12 Bolt;
9. Decorative plate.

See the dimension drawing below:



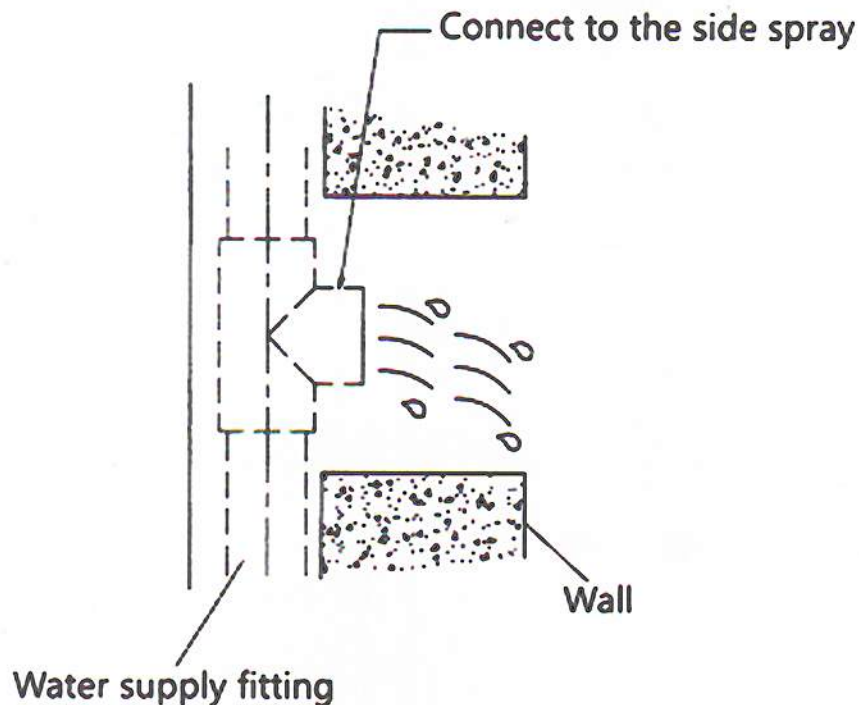
Installation Instruction

See the installation steps as follows:

1 Preparation.

Before installation, you should pay attention to the three points as follow;

- 1.1 Check the new product for damage, if the product is suffered, please contact us;
- 1.2 Check the accessories whether complete in the packing.
- 1.3 Flush the water supply fittings:

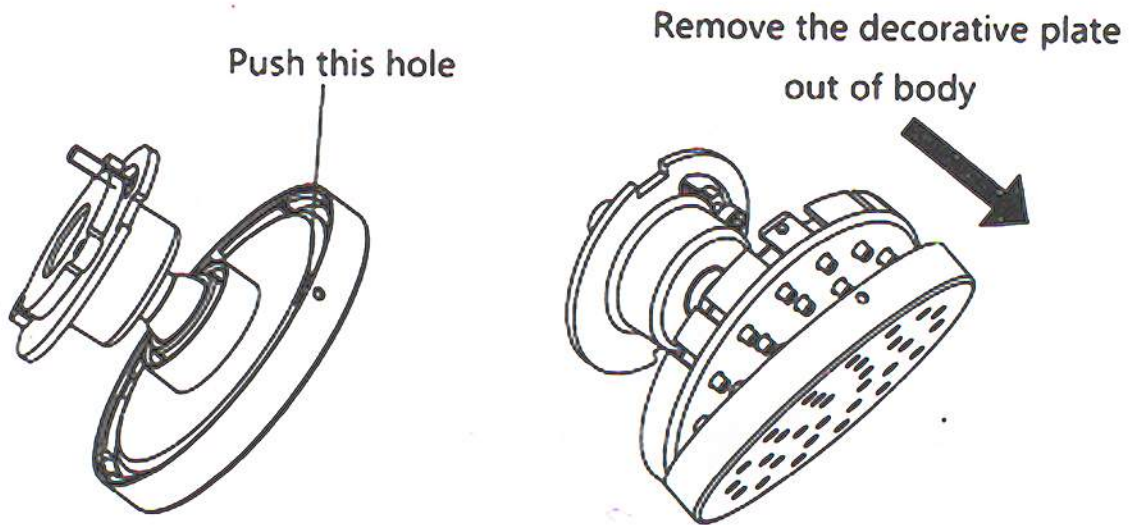


2 Installation

- 2.1 The new product is a combination before leaving the manufacturer, please disconnect the product before your installation as the illustrations below:

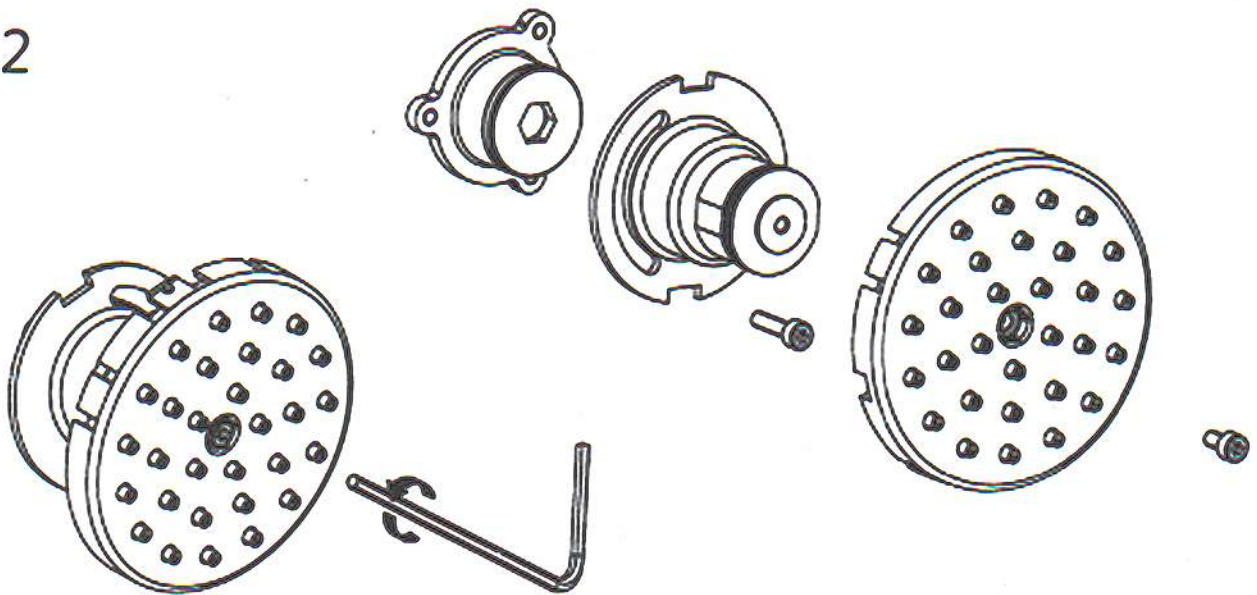
Installation Instruction

1



Remove the decorative plate

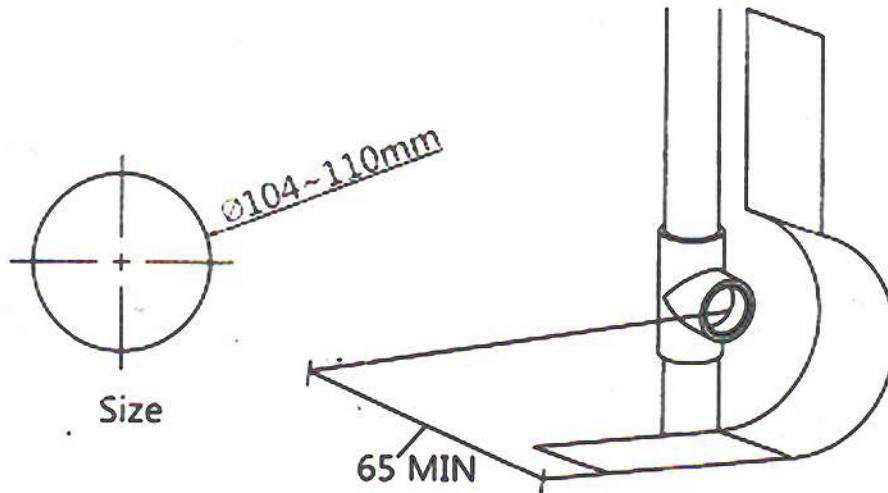
2



2.2 Please see the installation illustrations below:

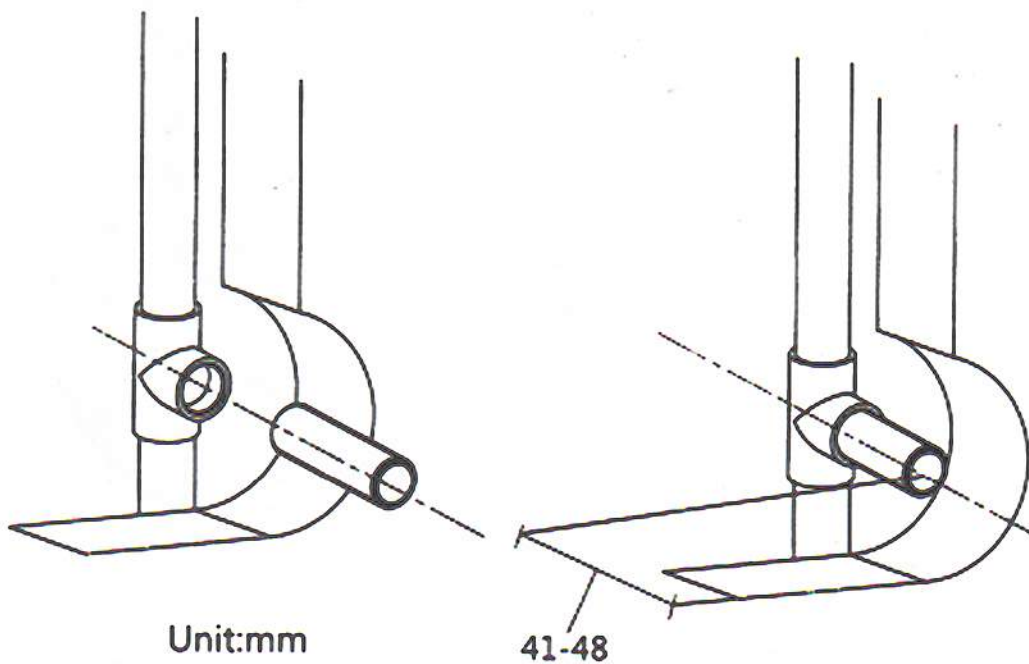
Installation Instruction

1



Notice: The distance between the water supply system and the finished wall shall be at least 65mm.

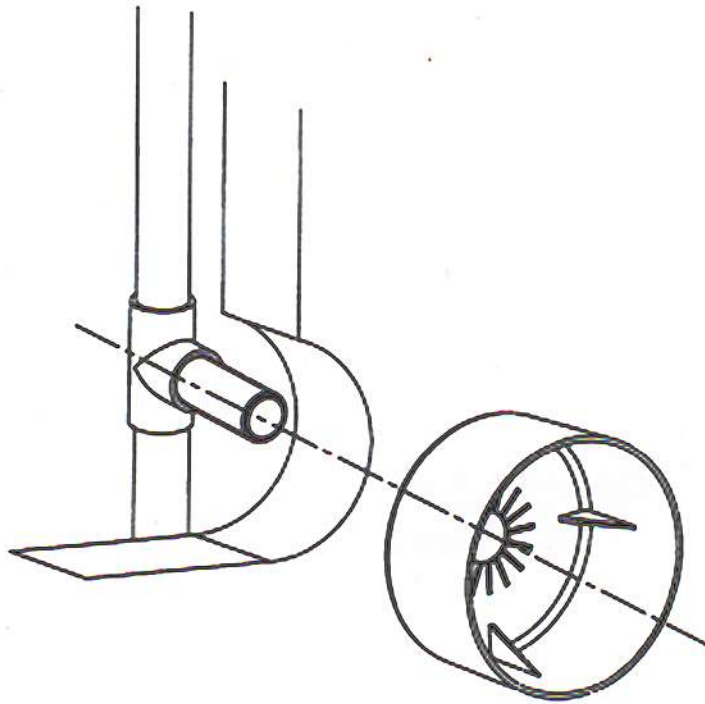
2



- Screw the pipe to the water supply fittings;
- The distance between end point of the pipe and finished wall shall be 41mm to 48 mm, cut off the longest part;
- Then take off the pipe, screw the sealant tape to the pipe, screw to water supply fittings again;
- Turn on the water supply system to flush the pipe;
- Close the water supply system.

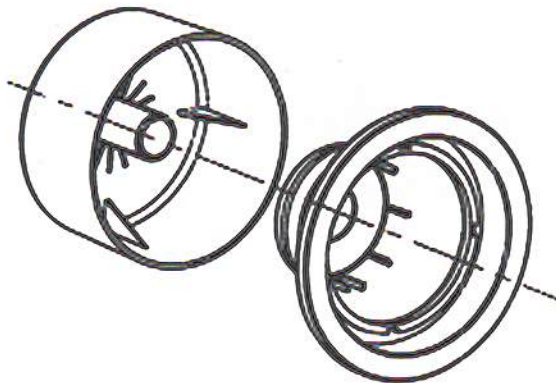
Installation Instruction

3



- Push the plastic box into the wall
- Make sure the one side which mark with "UP FACE" in the plastic box is in the top position.

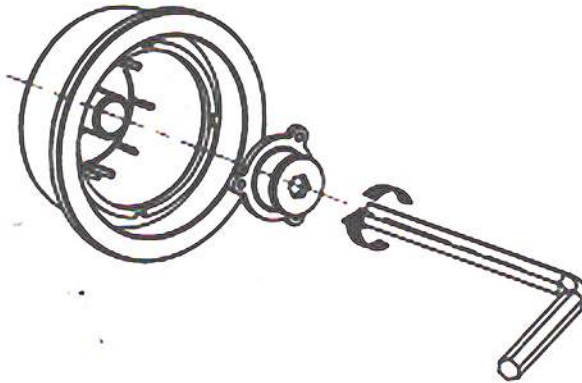
4



- Install the decorative plate assembly into the plastic box
- Make sure the position is correct.

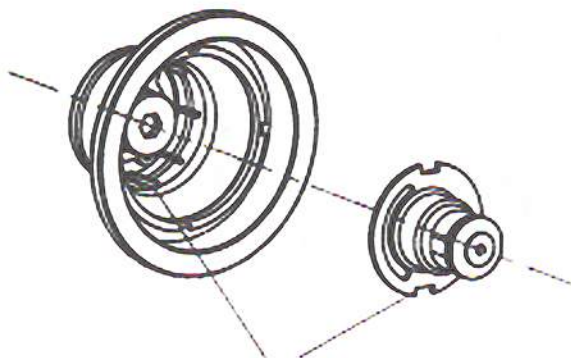
Installation Instruction

5



- Screw the connector into the pipe with H10 wrench;
- Be careful of the decorative plate assembly are not tighten.

6

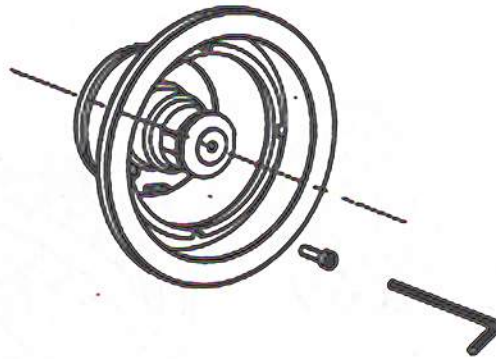


Make sure the body connect to the connector is completely

- ★ Install the body assembly to the connector;
- ★ When finish installation, please check their connection is completely.

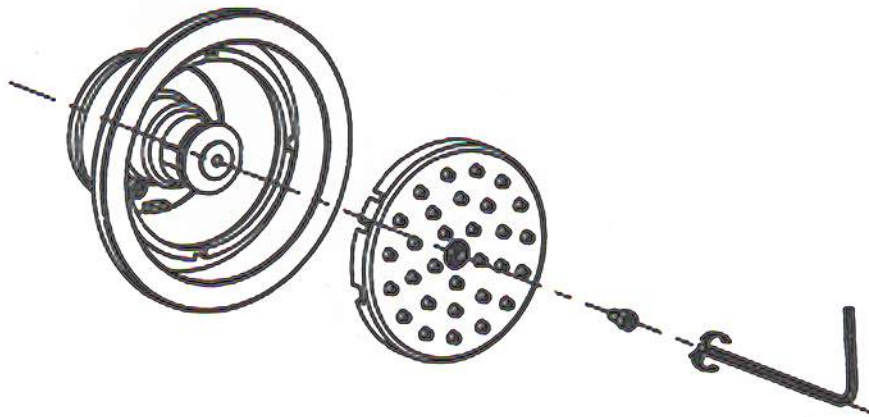
Installation Instruction

7



- * Screw the M4X20 bolt into the body;
- * Make sure the body and the connector are tighten;
Make sure the decorative plate is not move.

8

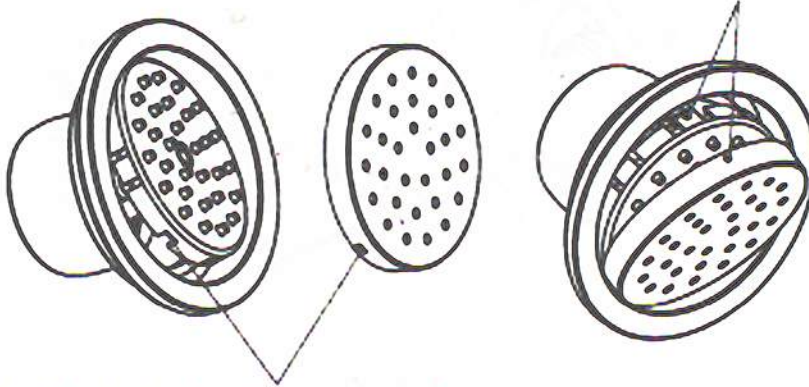


- * Install the outlet face assembly to the body;
- * Make sure the connection of body and outlet face assembly are complete;
Screw the M4X12 bolt through the outlet face into the body,
donot use excess force or else the outlet face will be damage.

Installation Instruction

9

Make sure the hole and the bulge are in the correct position when push the decorative plate into the body

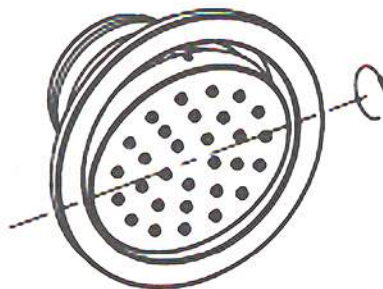


This side is in the bottom position when push the decorative plate into the body first

- * Screw the outlet face a little angle;
- * Make the decorative plate have a little angle too when push it into the body;
- * Adjust the outlet face when push the decorative plate in order to put it out of the decorative plate.

10

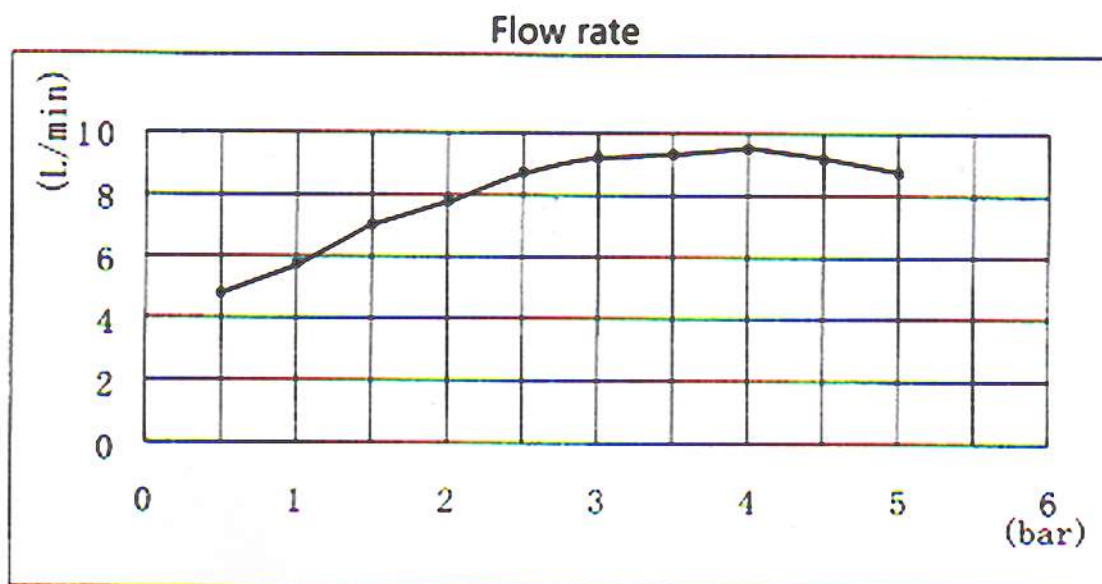
1. Product can adjust the angle position as below:



Installation Instruction

2. 0.5 bar is the product minimal supply pressure, for the best shower effect, you had better to use above 1.0 bar supply pressure,

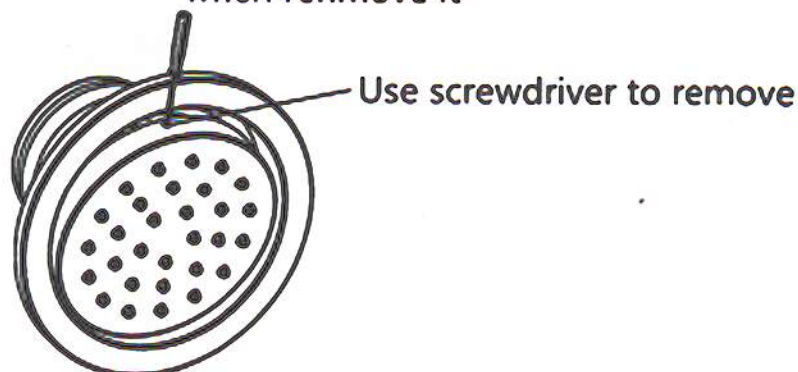
3. Flow rate illustration.



Maintenance and Cleaning:

1. The product will be dinginess inside of the body when you use it daily, so we advice you to clean as follow:

Protect the decorative plate coating when remove it



- * Make the decorative plate have a little angle when remove it;
- * Use screwdriver to remove the decorative plate;
- * Reference to the illustration 1 to help you remove it smoothly.

Installation Instruction

2. The product should be cleaned periodically to keep the surface bright;
3. Flush with clean water and dry with soft cloth only;
4. Do not use any metallic scourers such as steel brush, hard cloth, polisher to clean the faucet.
5. Do not use acid aikalascent detergent to clean the faucet.