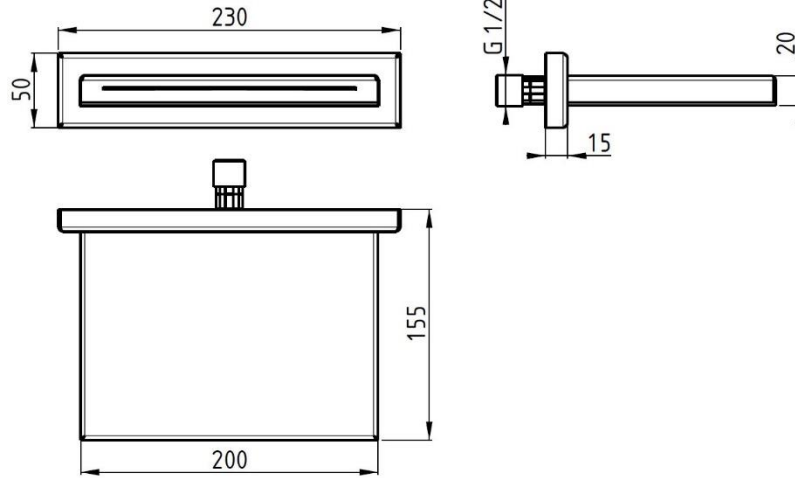


## WATERBLADE WATERFALL TECHNICAL DATA SHEET

### TECHNICAL DRAWING



### PHOTO



COLLECTION: Waterfall spouts  
 CODE: 38K

QUANTITY OF NOZZLES	NOZZLES COLOUR	FLOW LIMITER
N/A	N/A	N/A

MAINTENANCE TIPS:  
 FOLLOW THE ATTACHED INSTRUCTIONS

### PRODUCT PACKAGING

- Transparent PLT bag, air bubble bag, brown box, 1/2 "wall attachment.

WEIGHT SINGLE BOX: Kg 1.5

DIMENSIONS SINGLE BOX: 290X200XH120 mm

MODULE STP REV. OF 28/01/2021

The reported data cannot be considered binding. Livinghouse reserves the right to make technical and aesthetic changes without prior notice

