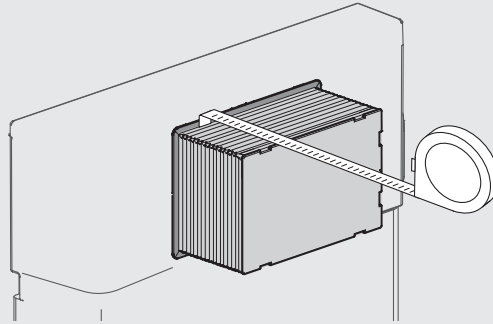
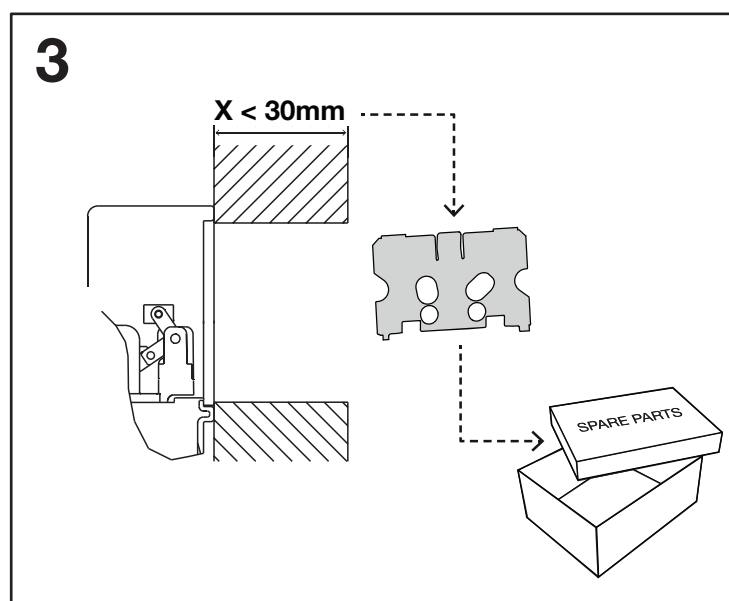
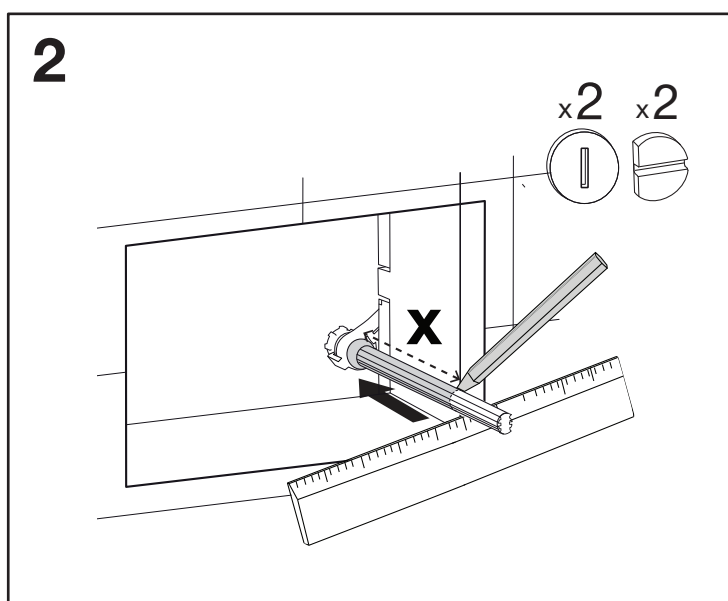
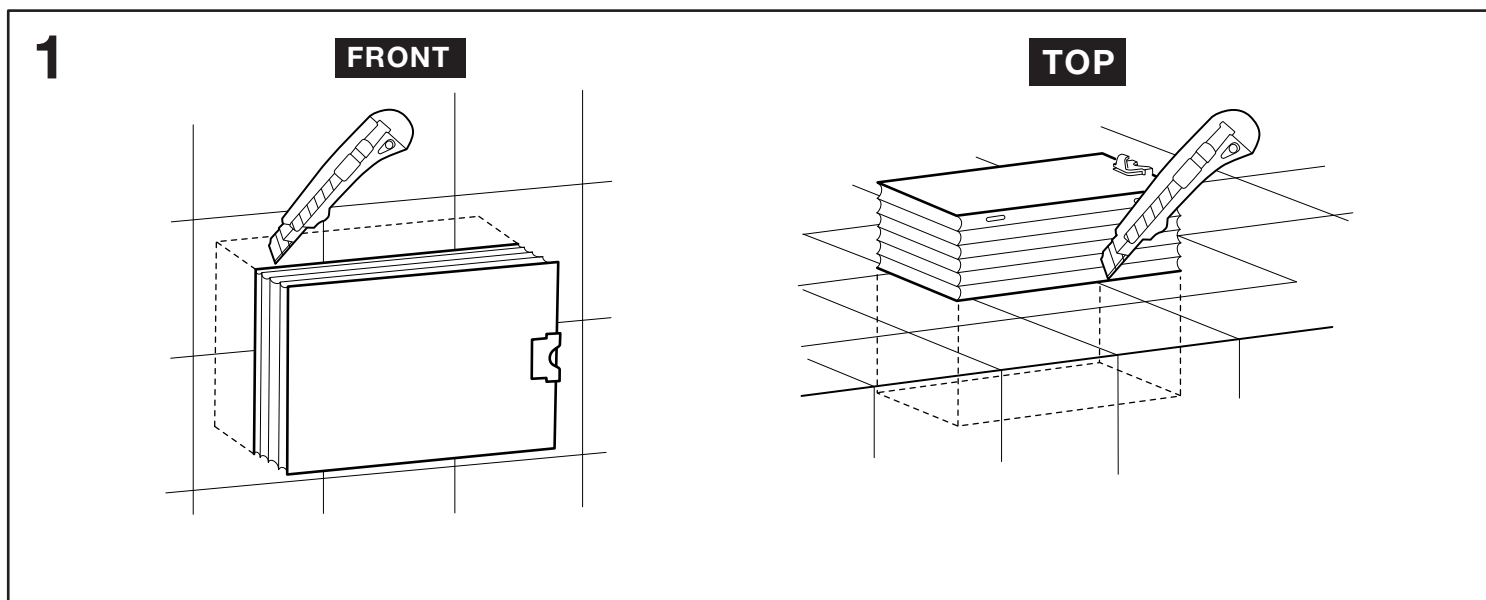
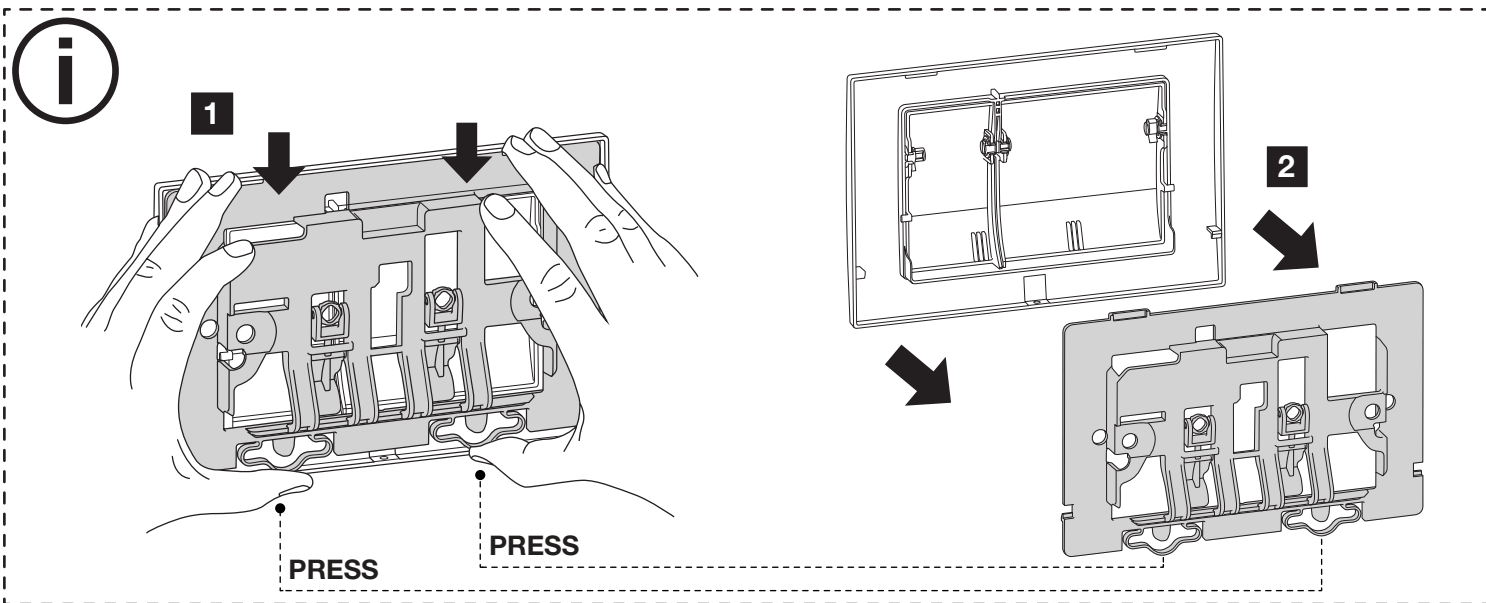


(dimensions in millimeters)

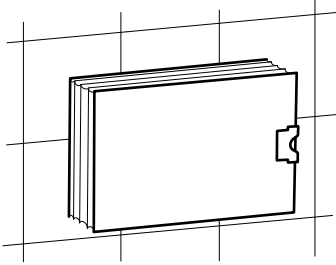
**ESPESSURA MÍNIMA DE PAREDE | MINIMUM WALL THICKNESS | SPESSORE MINIMO DELLA PARETE | ESPESOR MÍNIMO DE PARED | ÉPAISSEUR MINIMALE DU MUR | MINDESTWANDSTÄRKE | MINSTE VEGGTYKKELSE**



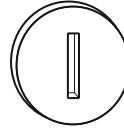


4

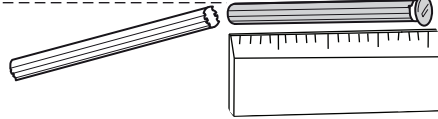
FRONT



x2



← X + 45mm →



x2

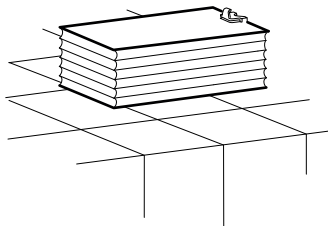


← X + 30mm →

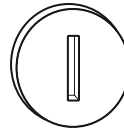


4

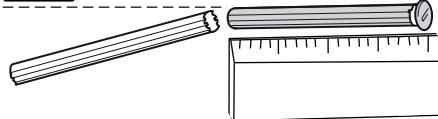
TOP



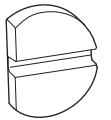
x2



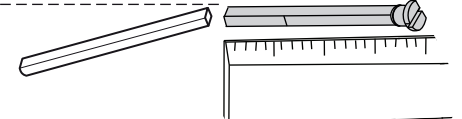
← X + 10mm →



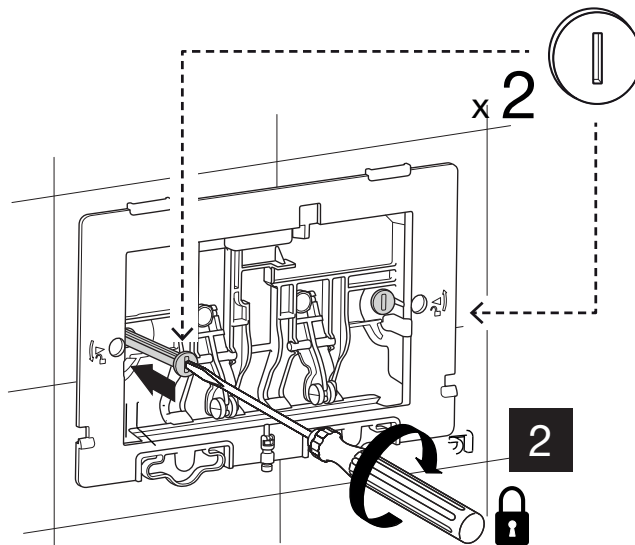
x2

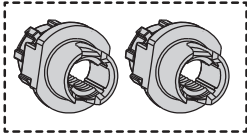


← X + 75mm →

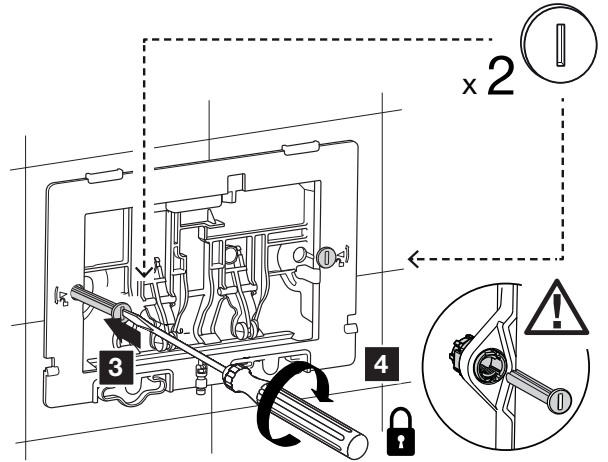
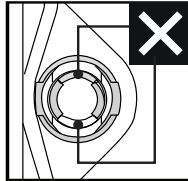
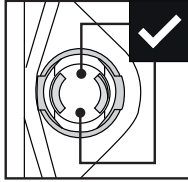
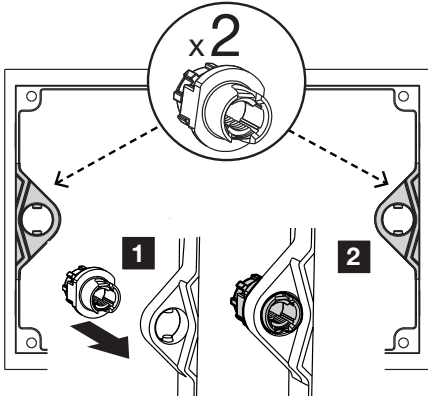


5

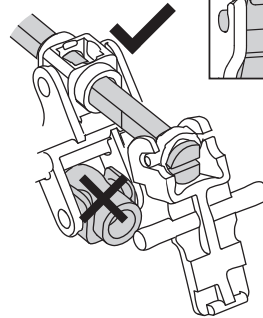
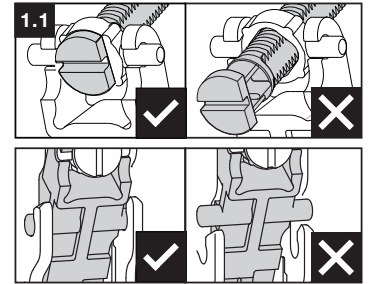
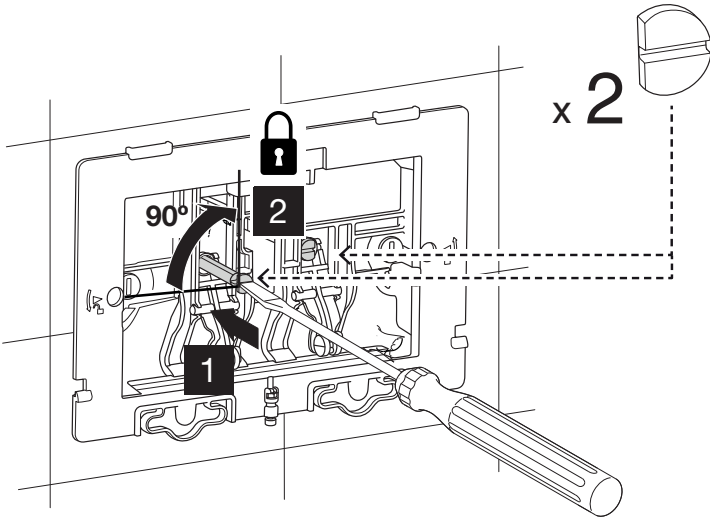




Cod. LH037152  
Fixation kit <09  
Order separately



7



8

